

“No Touch” Request-to-Exit Sensor

SD-927PKC-NEQ

“No Touch/Exit”

SD-927PKC-NSQ

“Sin Tocar / Salida”

SD-927PKC-NFQ

“Sans Contact/Sortie”

SD-927PWCQ

White Décor Style

ENFORCER “No Touch” Request-To-Exit Sensors use IR technology to request egress from a protected area of activate a device with the simple wave of hand. Since no touch is required, this sensor is ideal for use in hospitals, clinics, labs, cleanrooms (to reduce the risk of contamination), schools, factories, or offices.

Features:

- Range up to 4” (10cm)
- Reliable IR technology senses motion
- No touch reduces the risk of cross-contamination
- Stainless steel single gang plate
- 3A relay, triggers min. 0.5 or as long as hand is near the sensor
- LED illuminated sensor area for easy identification
- Programmable LED changes from red to green or green to red
- Quick connect screwless terminal block



SD-927PKC-NEQ



SD-927PKC-NSQ

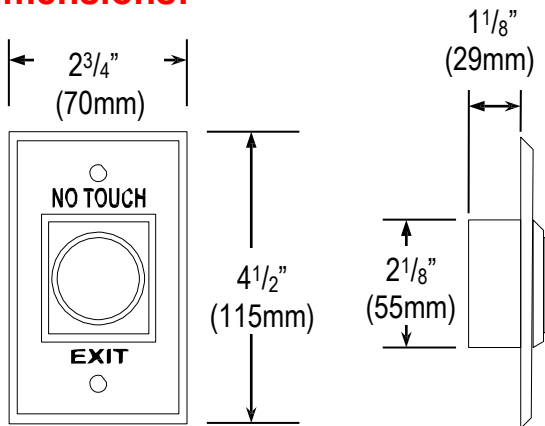


SD-927PKC-NFQ



SD-927PWCQ

Dimensions:



Specifications:

Model #	SD-927PKC-NxQ	SD-927PWCQ
Operating voltage	12VDC	
Current draw	40mA@12VDC	
Relay type	Form “C” NO/NC/COM	
Switching capacity	3A@24VDC	
Response time	10mS	
LEDs	Standby: Green	Red
	Triggered: Red	Green
Output time	0.5sec or as long as sensor is triggered	
Range	4” (10cm)	2” (5cm)
Operating temperature	-4°~131° F (-20°~55° C)	
Weight	3.0-oz. (85g)	2.5-oz. (70g)

SECO-LARM® U.S.A., Inc.

16842 Millikan Avenue, Irvine, CA 92606

Phone: (949) 261-2999 | (800) 662-0800 Fax: (949) 261-7326

Website: www.seco-larm.com Email: sales@seco-larm.com



Copyright 2015 © SECO-LARM U.S.A., Inc. All rights reserved. The SECO-LARM policy is one of continual development. For that reason, SECO-LARM reserves the right to change prices and specifications without notice. SECO-LARM is not responsible for misprints.

SECO-LARM® ENFORCER® CRIMEBUSTER® CBA SLI®

PI-SD927PKC-NxQ_081315