

Submittal Data Sheet Booklet

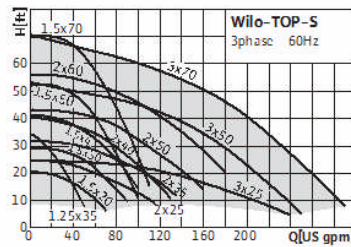
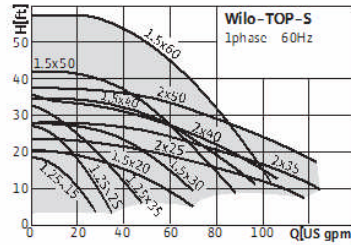
Circulating Pumps

Product Review



Wilco-TOP-S range

Duty chart



> **Single-head pumps:**

- Circulating pumps with flanged connection

> **Applications:**

- Pumps with cast iron body for all hot-water heating systems of all kinds, air-conditioning systems and closed cooling circuits.
- Pumps with bronze body for all warm and hot water, heating applications in open circulating systems.

> **Special features:**

- Cataphoresis coating for preventing corrosion in the event of condensation.
- Maintenance free single-head circulator.
- 2 speed motor
- Aluminium terminal box



WILO TOP S Submittal

Top S 1.5 x 30 Single Phase Series

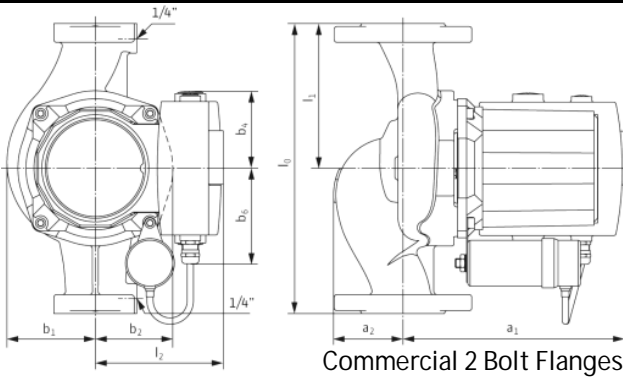


Pumpen Intelligenz.

Project:	
Engineer:	
Contractor:	
Submitted By:	Date:
Approved By:	Date:

Tag #	Model #	Flow	Head	Volt	Phase	Comments
	TOP S 1.5 X 30				1	
	TOP S 1.5 X 30				1	

Details	Max Hp	Pipe Size	l0	l1	l2	a1	a2	b1	b2	b4	b6	Weight
Imperial	5/8 Hp	1 1/2"	10	5 3/16	4 3/4	9 1/4	2 5/16	3 9/16	3 1/8	2 11/16	3 5/16	31.5 lbs
Metric	450 Watt	40 mm	254	127	120	235	58	90	79	67.5	83.5	14.3 kg



Speed	RPM	Max Watts	Amps 115 V	Amps 230 V
Max	3520	570	5.25	2.63
Min	3400	515	5.2	2.60

140 deg F (60 C)	194 deg F (90 C)	Min Inlet Pressure
1.8 PSI (12 kpa)	7.3 PSI (50 kpa)	

Operating Limits

Max Temp 14 to 248 Deg F (- 10 to 120 Deg C)
 Max Ambient Temp 104 Deg F (40 Deg C)
 Max Working Pressure 145 PSI (10 Bar)

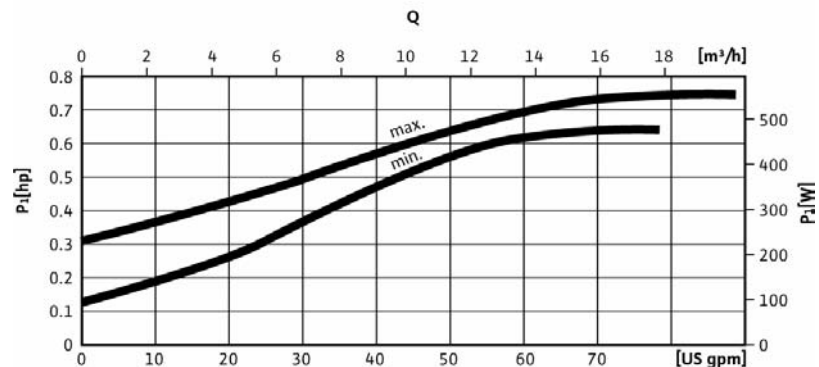
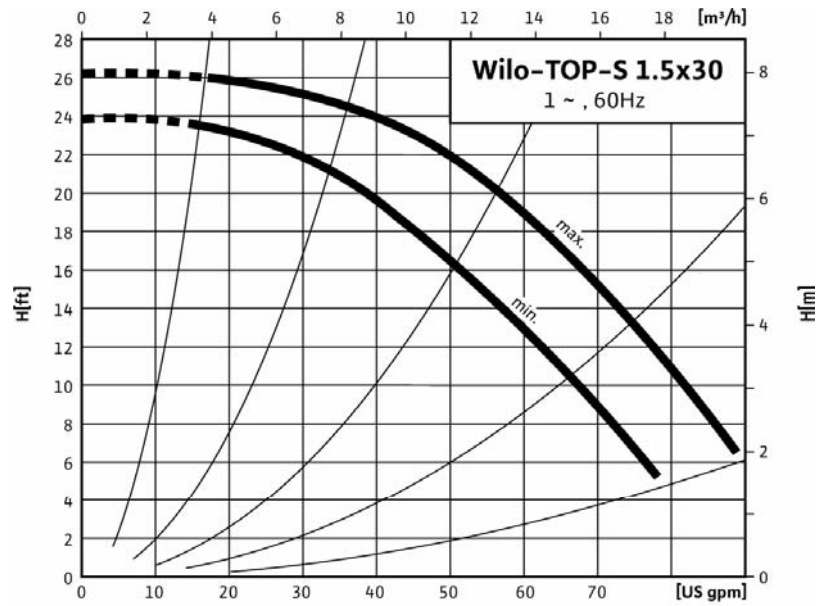
Materials of Construction

Impeller Polypropylene (50% Glass Filled)
 Shaft Stainless Steel (X40 Cr13)
 Bearing Metal Impregnated Carbon
 Volute Cast Iron (Closed Systems)
 Cataphoresis Coated
 Bronze Available (B Model)

Wilco USA LLC

1290 North 25th Avenue
 Melrose Park, Illinois 60160

Phone: 866 945 6872 Fax: 708 338 9455
 www.wilo-na.com



Wilco Canada Inc
 Bay 7 - 2915 - 10th Ave N. E.
 Calgary, Alberta, T2A 5L4
 Phone: 866 945 6236 Fax: 403 277 9456
 www.wilo-na.com