

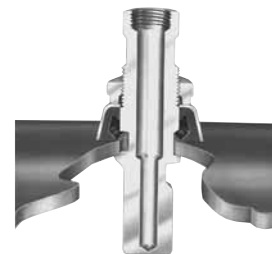
Vic-O-Well™ Strapless Thermometer Outlet

SERIES 924

The Victaulic Style 924 Vic-O-Well™ outlet provides a fast, easy connection, combining the features of a thermowell and strapless mechanical outlet. The Style 924 outlet main body casting is provided with integral lugs which insert into a hole cut in the pipe, gripping against the pipe's inside wall, while a nut threaded on the main body is tightened to force the gasket and containing collar against the pipe's outside surface resulting in a rigid joint. The Vic-O-Well outlet main body is machined internally to standard thread well dimensions, making it ideal for a variety of industrial glass thermometers with a 6"/150mm nominal bulb length. The streamlined shape of the Vic-O-Well outlet's probe reduces friction losses in the main, while providing 3"/80mm of insertion length, into the fluid. The Style 924 design allows 2½"/65mm for insulation and lagging. Both sizes are rated at 300 psi/2065 kPa working pressure on steel pipe.

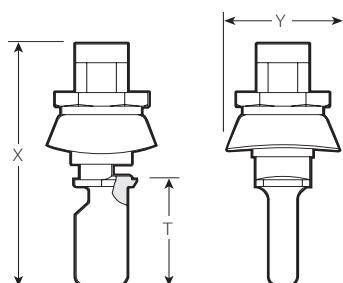


4 – 8"/100 – 200MM SIZES 10"/250MM AND LARGER

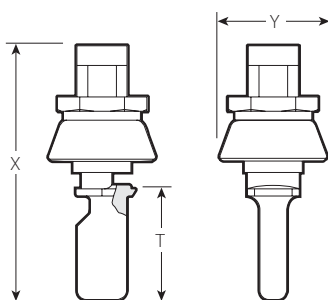


PATENTED

DIMENSIONS



4 – 8"/100 – 200MM SIZES



10"/250MM AND LARGER

SIZE	Max. Work Press. psi kPa	Dimensions – Inches/millimeters					Approx. Wgt. Each Lbs. kg
		Hole Dimensions Hole Saw Size	Max. Perm. Dia.	Vic-O-Well Dimensions			
Nominal Inches/mm Run x Branch				T **	X	Y ***	
4 – 8 for 6" Stem † 100 – 200 for 150mm Stem	300 2065	1.50 38.1	1.56 39.6	3.00 76	7.09 180	3.09 78	2.4 1.1
10 and larger for 6" Stem † 250 and larger for 150mm Stem	300 2065	1.50 38.1	1.56 39.6	3.00 76	7.09 180	3.09 78	2.3 1.0

*Pressure rating for steel pipe minimum, 0.165"/4.2mm, maximum 0.375"/9.5mm wall. Not for use on Schedule 10 for 4 – 8"/100 – 200mm pipe. Pressure rating is 200psi/1375 kPa for standard wall aluminum pipe.

**Inside wall of run to end of probe.

***Width of collar is as supplied, width assembled changes due to collar deformation at assembly.

*FLOW DATA: Flow characteristics for Vic-O-Well Style 924 and Vic-Let Style 923 are superior to standard welded or threaded outlets of equivalent branch sizes.

WARNING: Depressurize and drain the piping system before attempting to install, remove, or adjust any Victaulic piping products.

DUE TO DEFORMATION OF THE COLLAR, VIC-O-WELL THERMOMETER WELL SHOULD NOT BE RE-USED AFTER INITIAL INSTALLATION.

† 1 ¼" outlet – 1 ¼ – NEF18 – 2B

JOB OWNER

System No. _____
Location _____

CONTRACTOR

Submitted By _____
Date _____

ENGINEER

Spec Sect _____ Para _____
Approved _____
Date _____

Vic-O-Well™ Strapless Thermometer Outlet

SERIES 924



4 – 8"/100 – 200 MM SIZES 10"/250 MM AND LARGER

MATERIAL SPECIFICATIONS

Body and Nut: Ductile iron conforming to ASTM A-536, grade 65-45-12, painted

Collar: ASTM A-569, hot rolled pickled and oiled steel, zinc plated.

Seat/Liner: (specify choice*)

Grade "E" EPDM

EPDM (Green color code). Temperature range –30°F to +230°F/–34°C to +110°C.

Recommended for cold and hot water service within the specified temperature range plus a variety of dilute acids, oil-free air and many chemical services. UL classified in accordance with ANSI/NSF61 for cold +86°F/+30°C and hot +180°F/+82°C potable water service. NOT RECOMMENDED FOR PETROLEUM SERVICES.

Grade "T" nitrile

Nitrile (Orange color code). Temperature range –20°F to +180°F/–29°C to +82°C.

Recommended for petroleum products, air with oil vapors, vegetable and mineral oils within the specified temperature range. Not recommended for hot water services over +150°F/+66°C or for hot dry air over +140°F/+60°C.

*Services listed are General Service Recommendations only. It should be noted that there are services for which these gaskets are not recommended. Reference should always be made to the latest Victaulic Gasket Selection Guide for specific gasket service recommendations and for a listing of services which are not recommended.

WARRANTY

Refer to the Warranty section of the current Price List or contact Victaulic for details.

NOTE

This product shall be manufactured by Victaulic or to Victaulic specifications. All products to be installed in accordance with current Victaulic installation/assembly instructions. Victaulic reserves the right to change product specifications, designs and standard equipment without notice and without incurring obligations.

WORLD HEADQUARTERS

P.O. Box 31
Easton, PA 18044-0031 USA
4901 Kesslersville Road
Easton, PA 18040 USA

1-800-PICK-VIC (1-800-742-5842)
1-610-559-3300
1-610-250-8817 (fax)
pickvic@victaulic.com

UNITED STATES

1-800-PICK-VIC (1-800-742-5842)
1-610-250-8817 (fax)
pickvic@victaulic.com

CANADA

905-884-7444
905-884-9774 (fax)
viccanada@victaulic.com

EUROPE

32-9-381-15-00
32-9-380-44-38 (fax)
viceuro@victaulic.be

UK

44 (0) 1438741100
44 (0) 1438313883 (fax)
viceuro@victaulic.be

CENTRAL AND SOUTH AMERICA

1-610-559-3300
1-610-559-3608 (fax)
vical@victaulic.com

ASIA PACIFIC

86-21-58855151
86-21-58851298 (fax)
vicap@victaulic.com

MIDDLE EAST

971-4-883-88-70
971-4-883-88-60 (fax)

www.victaulic.com



WCAS-6LNL7C