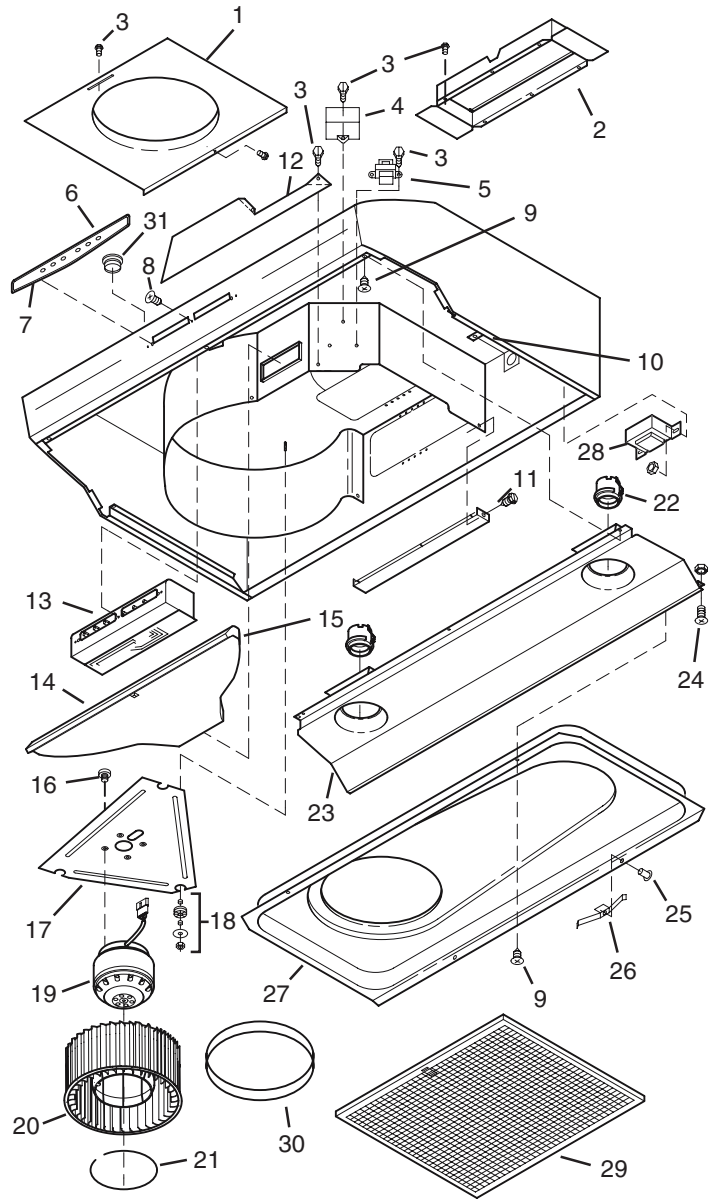


SERVICE PARTS

KEY NO.	PART NO.	DESCRIPTION
1	R680508	7" Round Duct Plate (includes hardware)
2	R740013	Damper/Duct Connector (includes hardware)
3	R602017	Screw, #8-18 x 1/4 Hex* (2 in package)
4	R334755	Motor Capacitor (includes wire nuts & hardware)
5	R501031	Isolation Transformer
6	R627521	Nameplate, White
	R627522	Nameplate, Almond
	R627523	Nameplate, Black
	R627534	Nameplate, Biscuit
7	R169005	Control Panel, White (includes Key No. 6 & hardware)
	R169006	Control Panel, Almond (includes Key No. 6 & hardware)
	R169007	Control Panel, Black (includes Key No. 6 & hardware)
	R169008	Control Panel, Biscuit (includes Key No. 6 & hardware)
8	R601535	Screw for Plastic, #6 x 1/2 Flat Hd. (3 in package)
9	R602534	Screw, #8-18 x 3/8 (2 in package)
10	R602533	Ground Screw
11	R680505	Scroll Cover, Outlet (includes hardware)
12	R680507	Scroll Cover, Front (includes hardware)
13	R111663	Control Assembly (includes Key Nos. 6, 7 & hardware)
14	R401573	Air Chute (includes hardware)
15	R602058	Screw for Plastic, #8 x 1/2 Pan Hd. (2 in package)
16	R601536	Screw, Metric M4 x 6mm (4 in package)
17	R651973	Motor Plate (Includes Key No. 18)
18	R169009	Motor Plate Mounting Kit (3 of each part)
19	R520118	Motor (includes Key No. 17)
20	R531068	Blower Wheel (Includes Key No. 22)
21	R607215	Retaining Ring
22	R111630	Lamp Socket Assembly
23	R7201621	Light Panel, 30 in. White
	R7201651	Light Panel, 36 in. White
	R7201671	Light Panel, 42 in. White
	R7201622	Light Panel, 30 in. Almond
	R7201652	Light Panel, 36 in. Almond
	R7201672	Light Panel, 42 in. Almond
	R7201624	Light Panel, 30 in. Black
	R7201654	Light Panel, 36 in. Black
	R7201674	Light Panel, 42 in. Black
	R720163	Light Panel, 30 in. Stainless
	R720166	Light Panel, 36 in. Stainless
	R720168	Light Panel, 42 in. Stainless
	R7201625	Light Panel, 30 in. Biscuit
	R7201655	Light Panel, 36 in. Biscuit
	R7201675	Light Panel, 42 in. Biscuit
24	R169003	Light Panel Mounting Kit
25	*	Pop Rivet, .125D (3 req.)
26	R169016	Filter Spring Kit
27	R680513	Bottom Cover, 30 in. (includes Key Nos. 9, 25, & 26)
	R680522	Bottom Cover, 36 in. (includes Key Nos. 9, 25, & 26)
	R680529	Bottom Cover, 42 in. (includes Key Nos. 9, 25, & 26)
28	R501033	Autotransformer (includes hardware)
29	99010302	Aluminum Mesh Filter, 30 in. (2 in package)
	99010303	Aluminum Mesh Filter, 36 in. (2 in package)
	99010304	Aluminum Mesh Filter, 42 in. (2 in package)
30	R680509	Band, Non-Ducted
31	R607660	Hole Plug (1 req.)
**	99010308	Non-ducted Filter Kit, 30 in.
**	99010309	Non-ducted Filter Kit, 36 in.
**	99010310	Non-ducted Filter Kit, 42 in.
**	R111627	Wire Harness
**	R564074	10-Amp Control Fuse



WARRANTY

NUTONE ONE YEAR LIMITED WARRANTY

Nutone warrants to the original consumer purchaser of its products that such products will be free from defects in materials or workmanship for a period of one year from the date of original purchase. THERE ARE NO OTHER WARRANTIES, EXPRESS OR IMPLIED, INCLUDING, BUT NOT LIMITED TO, IMPLIED WARRANTIES OF MERCHANTABILITY OR FITNESS FOR A PARTICULAR PURPOSE.

During this one-year period, Nutone will, at its option, repair or replace, without charge, any product or part which is found to be defective under normal use and service.

THIS WARRANTY DOES NOT EXTEND TO FLUORESCENT LAMP STARTERS AND TUBES. This warranty does not cover (a) normal maintenance and service or (b) any products or parts which have been subject to misuse, negligence, accident, improper maintenance or repair (other than by Nutone), faulty installation or installation contrary to recommended installation instructions.

The duration of any implied warranty is limited to the one-year period as specified for the express warranty. Some states do not allow limitation on how long an implied warranty lasts, so the above limitation may not apply to you.

NUTONE'S OBLIGATION TO REPAIR OR REPLACE, AT NUTONE'S OPTION, SHALL BE THE PURCHASER'S SOLE AND EXCLUSIVE REMEDY UNDER THIS WARRANTY. NUTONE SHALL NOT BE LIABLE FOR INCIDENTAL, CONSEQUENTIAL OR SPECIAL DAMAGES ARISING OUT OF OR IN CONNECTION WITH PRODUCT USE OR PERFORMANCE. Some states do not allow the exclusion or limitation of incidental or consequential damages, so the above limitation or exclusion may not apply to you.

This warranty gives you specific legal rights, and you may also have other rights, which vary from state to state. This warranty supersedes all prior warranties.

To qualify for warranty service, you must (a) notify Nutone at the address or telephone number below, (b) give the model number and part identification and (c) describe the nature of any defect in the product or part. At the time of requesting warranty service, you must present evidence of the original purchase date.

NuTone, Inc. 4820 Red Bank Road, Cincinnati, Ohio 45227 (1-800-543-8687)

Order replacement parts by PART NO. - not by KEY NO.

* Standard hardware - may be purchased locally.

** Not illustrated - purchase separately.