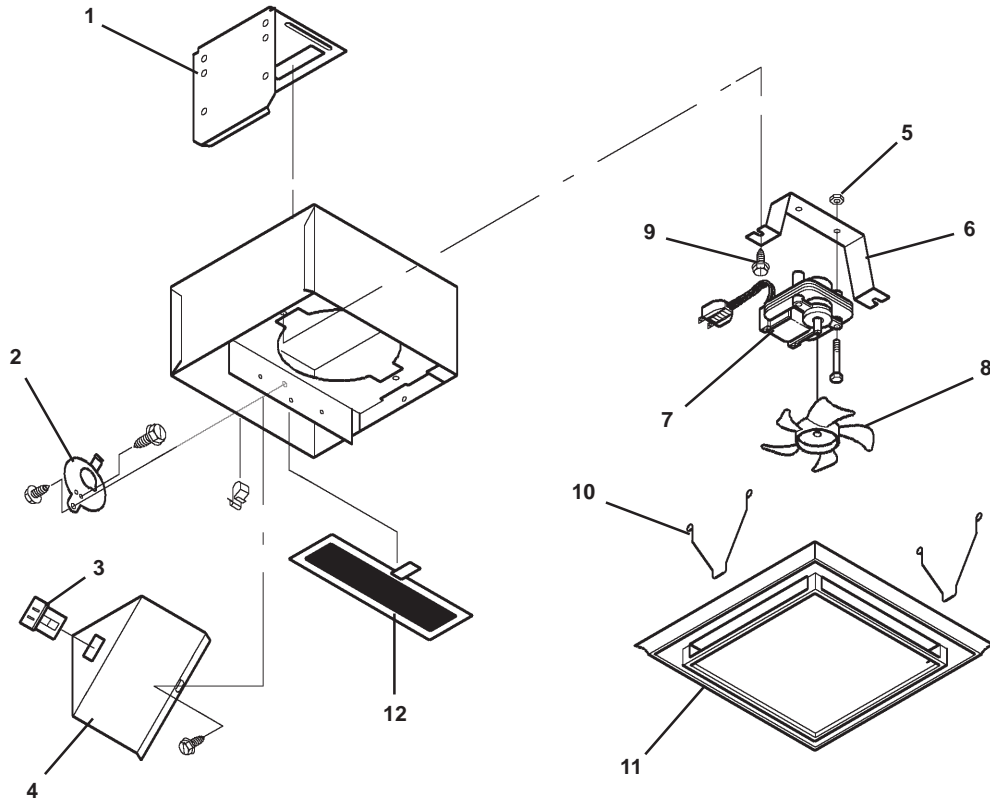


PARTS LIST

REF.	PART NUMBER	PART DESCRIPTION
1	20125-00	Mounting Bracket
2	75999-00	Knockout Plate & Ground Screw
3	99270982	Receptacle
4	20126-02	Wiring Cover
5	04200-14	Keps Nut (2 Req.)
6	25083-01	Motor Bracket
7	02200-41	Motor
8	99020187	Fan Blade
9	03100-32	Screw, #8 Hex Washer Captive Hd. (3 Req.)
10	99140187	Grille Spring
11	97009648	Grille Assembly (Includes Key Nos. 10 & 11)
12	97009563	Charcoal Filter



Ductless Fan

MODEL: 682NT

IMPORTANT SAFETY INSTRUCTIONS

TO REDUCE THE RISK OF FIRE, ELECTRIC SHOCK, OR INJURY TO PERSONS, OBSERVE THE FOLLOWING:

1. Use this unit only in the manner intended by the manufacturer. If you have questions, contact the manufacturer at the address or telephone number listed in the warranty.
2. Before servicing or cleaning unit, switch power off at service panel and lock the service disconnecting means to prevent power from being switched on accidentally. When the service disconnecting means cannot be locked, securely fasten a prominent warning device, such as a tag, to the service panel.
3. Installation work and electrical wiring must be done by a qualified person(s) in accordance with all applicable codes and standards, including fire-rated construction codes and standards.
4. Sufficient air is needed for proper combustion and exhausting of gases through the flue (chimney) of fuel burning equipment to prevent backdrafting. Follow the heating equipment manufacturer's guidelines and safety standards such as those published by the National Fire Protection Association (NFPA), and the American Society for Heating, Refrigeration and Air Conditioning Engineers (ASHRAE), and the local code authorities.
5. When cutting or drilling into wall or ceiling, do not damage electrical wiring and other hidden utilities.
6. Ducted fans must always be vented to the outdoors.
7. If this unit is to be installed over a tub or shower, it must be marked as appropriate for the application.
8. Never place a switch where it can be reached from a tub or shower.
9. This unit must be grounded.

CAUTION

1. For general ventilating use only. **Do not** use to exhaust hazardous or explosive materials and vapors.
2. To avoid motor bearing damage and noisy and/or unbalanced impellers, keep drywall spray, construction dust, etc., off power unit.
3. Please read specification label on product for further information and requirements.

PLAN THE INSTALLATION

Refer to **FIGURE 1**

Determine where fan will be located and plan to supply fan with proper line voltage and appropriate power cable.

Follow these basic steps when installing this fan:

- Attach mounting bracket to joist or stud.
- Snap fan housing onto bracket.
- Wire fan.
- Attach grille (after ceiling or wall is finished).

