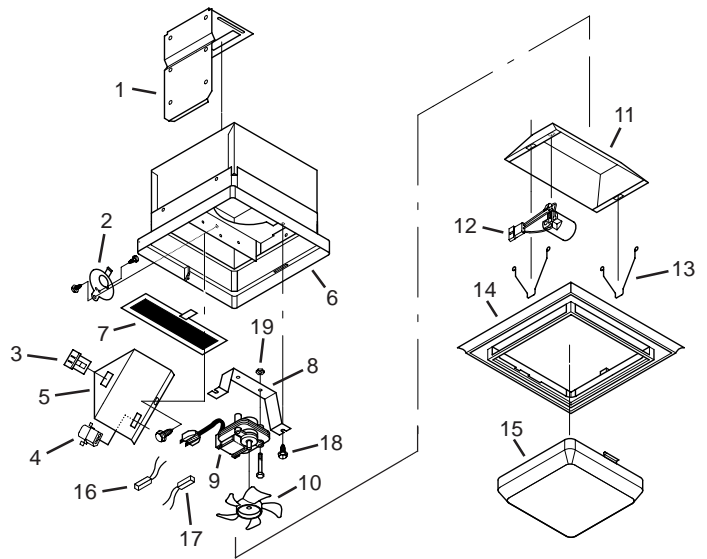


## PARTS LIST

REF.	PART NUMBER	PART DESCRIPTION
1	20055-02	Mounting Bracket
2	75999-00	Knockout Plate & Ground Screw
3	99270982	Receptacle, Black
4	02142-01	Receptacle, White
5	20126-04	Wiring Cover
6	25263-02	Riser
7	97009563	Charcoal Filter
8	25083-01	Motor Bracket
9	02200-41	Motor
10	99020187	Fan Blade
11	25269-00	Light Reflector
12	02153-08	Light Socket
13	99140187	Grille Spring (2 Req.)
14	97009649	Grille Assembly (Includes Key No. 13)
15	76079-00	Light Lens
16	02189-01	Thermal Protector - Light
17	02189-00	Thermal Protector - Motor
18	03100-32	Screw, #8 Hex Washer Captive Hd.
19	04200-14	Nut, Keps



## WARRANTY

### NUTONE ONE YEAR LIMITED WARRANTY

NuTone warrants to the original consumer purchaser of our products that such products will be free from defects in materials or workmanship for a period of one year from date of original purchase. THERE ARE NO OTHER WARRANTIES, EXPRESSED OR IMPLIED, INCLUDING, BUT NOT LIMITED TO, IMPLIED WARRANTIES OR MERCHANTABILITY OR FITNESS FOR A PARTICULAR PURPOSE.

During this one-year period, NuTone will, at our option, repair or replace, without charge, any product or part which is found to be defective under normal use and service.

THIS WARRANTY DOES NOT EXTEND TO FLUORESCENT LAMP STARTERS AND TUBES. This warranty does not cover (a) normal maintenance and service or (b) any products or parts which have been subject to misuse, negligence, accident, improper maintenance or repair (other than by us), faulty installation or installation contrary to recommended installation instructions.

The duration of any implied warranty is limited to the one-year period as specified for the express warranty. Some states do not allow limitation on how long an implied warranty lasts, so the above limitation may not apply to you.

NUTONE'S OBLIGATION TO REPAIR OR REPLACE, AT OUR OPTION, SHALL BE THE PURCHASER'S SOLE AND EXCLUSIVE REMEDY UNDER THIS WARRANTY. NUTONE SHALL NOT BE LIABLE FOR INCIDENTAL, CONSEQUENTIAL OR SPECIAL DAMAGES ARISING OUT OF OR IN CONNECTION WITH PRODUCT USE OR PERFORMANCE. Some states do not allow the exclusion or limitation of incidental or consequential damages, so the above limitations or exclusion may not apply to you.

This warranty gives you specific legal rights, and you may also have other rights, which vary from state to state. This warranty supersedes all prior warranties.

To qualify for warranty service, you must (a) notify us at an address stated below or telephone 1-888-336-6151, (b) give the model number and part identification and (c) describe the nature of any defect in the product or part. At the time of requesting warranty service, you must present evidence of the original purchase date.

**NUTONE, INC.**  
A Nortek Company  
Madison and Red Banks Roads  
Cincinnati, OH 45227

**NuTone®**

Product specifications subject to change without notice.  
Madison and Red Bank Roads, Cincinnati, Ohio 45227  
Printed in U.S.A., 11/99, Part No. 99042929A

## Ductless Fan/Light

MODEL: 682LNT

### IMPORTANT SAFETY INSTRUCTIONS

TO REDUCE THE RISK OF FIRE, ELECTRIC SHOCK, OR INJURY TO PERSONS, OBSERVE THE FOLLOWING:

1. Use this unit only in the manner intended by the manufacturer. If you have questions, contact the manufacturer at the address or telephone number listed in the warranty.
2. Before servicing or cleaning unit, switch power off at service panel and lock the service disconnecting means to prevent power from being switched on accidentally. When the service disconnecting means cannot be locked, securely fasten a prominent warning device, such as a tag, to the service panel.
3. Installation work and electrical wiring must be done by a qualified person(s) in accordance with all applicable codes and standards, including fire-rated construction codes and standards.
4. Sufficient air is needed for proper combustion and exhausting of gases through the flue (chimney) of fuel burning equipment to prevent backdrafting. Follow the heating equipment manufacturer's guidelines and safety standards such as those published by the National Fire Protection Association (NFPA), and the American Society for Heating, Refrigeration and Air Conditioning Engineers (ASHRAE), and the local code authorities.
5. When cutting or drilling into wall or ceiling, do not damage electrical wiring and other hidden utilities.
6. Ducted fans must always be vented to the outdoors.
7. If this unit is to be installed over a tub or shower, it must be marked as appropriate for the application.
8. Never place a switch where it can be reached from a tub or shower.
9. This unit must be grounded.

### CAUTION

1. For general ventilating use only. **Do not** use to exhaust hazardous or explosive materials and vapors.
2. This product is designed for ceiling installation only. **Do not** mount this product in a wall!
3. To avoid motor bearing damage and noisy and/or unbalanced impellers, keep drywall spray, construction dust, etc., off power unit.
4. This fan/light is equipped with a thermal protector. When an overheating condition occurs due to heat build-up caused by insulation, the fan turns on automatically. If this automatic turn on is found undesirable merely remove insulation from the top and sides of housing.
5. Please read specification label on product for further information and requirements.

### PLAN THE INSTALLATION

Refer to FIGURE 1

Determine where fan will be located and plan to supply fan with proper line voltage and appropriate power cable.

Follow these basic steps when installing this fan:

- Attach mounting bracket to joist or stud.
- Snap fan housing onto bracket.
- Wire fan.
- Attach grille (after ceiling or wall is finished).

