

Series LF007 / 007

Double Check Valve Assemblies

Sizes: 1/2" – 3" (15 – 80mm)

1

Double Check Valve Assemblies



LF007M3QT

Features

- Ease of maintenance — only one cover
- Top entry
- Replaceable seats and seat discs
- Modular construction
- Compact design
- Fused epoxy coated cast iron body — 2 1/2" – 3" (65 – 80mm)
- Low pressure drop
- No special tools required for servicing
- 1/2" – 1" (15 – 25mm) have tee handles

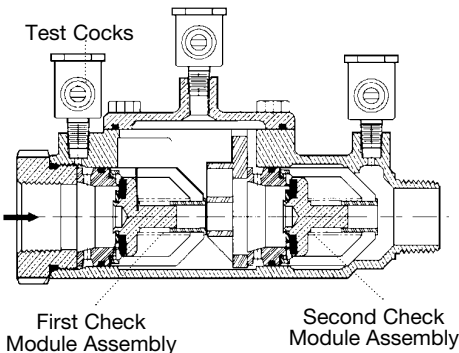
Pressure-Temperature

1/2" – 2" (15 – 50mm)

Temperature Range: 33°F – 180°F
(0.5°C – 82°C).
Maximum Working Pressure: 175psi
(12.1 bar).

2 1/2" – 3" (65 – 80mm)

Temperature Range: 33°F – 110°F
(0.5°C – 43°C) continuous,
140°F (60°C) intermittent.
Maximum Working Pressure: 175psi
(12.1 bar).



LF007

LEAD FREE

Series LF007 Double Check Valve Assemblies shall be installed at referenced cross-connections to prevent the backflow of polluted water into the potable water supply. Only those cross-connections identified by local inspection authorities as non-health hazard shall be allowed the use of an approved double check valve assembly. The LF007 features Lead Free* construction to comply with Lead Free* installation requirements.

Check with local authority having jurisdiction regarding vertical orientation, frequency of testing or other installation requirements.

The valve shall meet the requirements of ASSE Std. 1015 and AWWA Std. C510. Approved by the Foundation for Cross-Connection Control and Hydraulic Research at the University of Southern California.

Materials

Sizes: 1/2" – 2" (15 – 50mm)

- Lead Free* cast copper silicon alloy body construction
- Top mounted Lead Free* ball valve test cocks

Sizes: 2 1/2" – 3" (65 – 80mm)

- Fused epoxy coated cast iron body

Models

Sizes: 1/2" – 2" (15 – 50mm)

Suffix:

S – copper silicon alloy strainer

LF – without shutoff valves

Prefix:

U – Union connections

Sizes: 2 1/2" – 3" (65 – 80mm)

Suffix:

NRS – non-rising stem resilient seated gate valves

OSY – UL/FM outside stem and yoke resilient seated gate valves

LF – without shutoff valves

QT-FDA – FDA epoxy coated quarter-turn ball valves

Approvals



† ASSE, AWWA, IAPMO, CSA, UPC
▲ Approved by the Foundation for Cross-Connection Control and Hydraulic Research at the University of Southern California.

- Models with suffix LF and S are not listed.
- ◆ UL Classified (without shutoff valves only) 3/4" – 2" (except 007M3LF)
- ◆ UL Classified with OSY gate valves (2 1/2" and 3" horizontal only.)
- ▼ 1/2" - 2" models Lead Free* with strainer
Horizontal and vertical "flow up" approval on all sizes

*The wetted surface of this product contacted by consumable water contains less than 0.25% of lead by weight.

007

For Use in Non-Potable Applications

Series 007 are designed to protect drinking water supplies from dangerous cross-connections in accordance with national plumbing codes and water authority requirements for non-potable service applications such as irrigation, fireline, or industrial processing.

Materials

- Cast bronze body construction – ½" – 2" (15 – 50mm)
- Top mounted ball valve test cocks

Models

Sizes: ½" – 2" (15 – 50mm)

Suffix:

- S – bronze strainer
- LF – without shutoff valves
- SH – stainless steel ball valve handles
- HC – 2½" inlet/outlet fire hydrant fittings (2" valve)

Prefix:

U – Union connections

Sizes: 2½" – 3" (65 – 80mm)

Suffix:

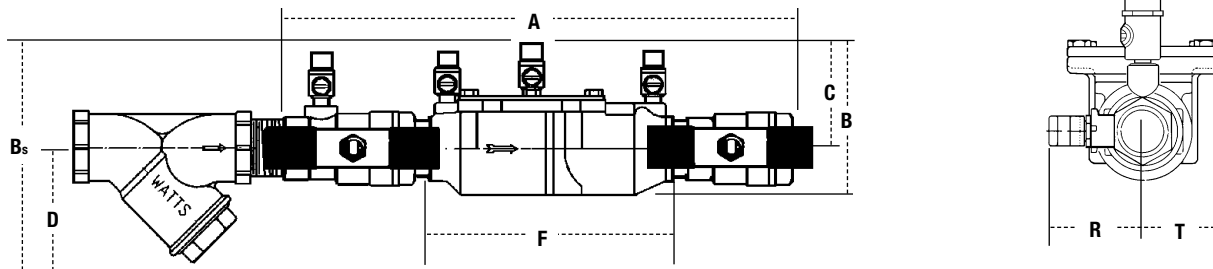
- NRS – non-rising stem resilient seated gate valves
- OSY – UL/FM outside stem and yoke resilient seated gate valves
- LF – without shutoff valves
- QT-FDA – FDA epoxy coated quarter-turn ball valves

Approvals



- † ASSE, AWWA, IAPMO, CSA, UPC
- ▲ Approved by the Foundation for Cross-Connection Control and Hydraulic Research at the University of Southern California.
- Models LF and S are not listed.
- ◆ UL Classified (LF models only) ¾" – 2" (except 007M3LF)
- ◆ UL Classified with OSY gate valves (2½" and 3" horizontal only.) Horizontal and vertical "flow up" approval on all sizes

Dimensions – Weights



Subscript 'S' = strainer model

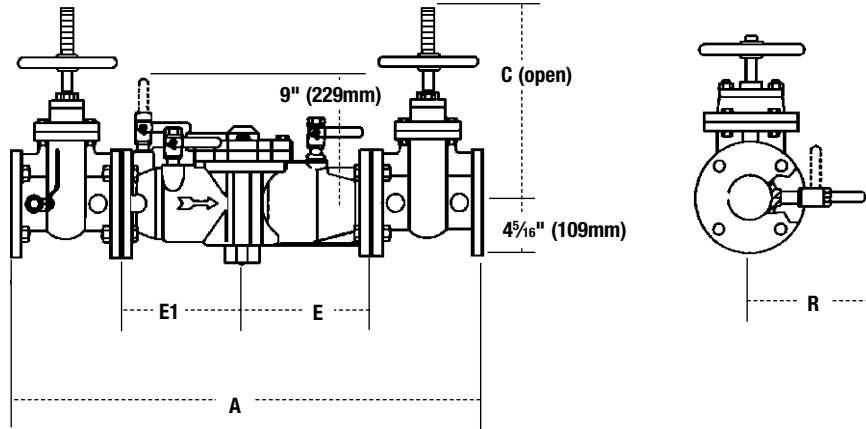
LF007 / 007 (½" – 2")

| MODEL | | SIZE | DIMENSIONS | | | | | | | | | | WEIGHT | | | | | | | |
|----------------|-------------|------|----------------------------------|-----|--------------------------------|-----|--------------------------------|-----|-------------------------------|-----|--------------------------------|-----|--------------------------------|-----|---------------------------------|----|---------------------------------|----|------|------|
| | | in. | A | | B | | C | | D | | F | | G | | R | | T | | lbs. | kgs. |
| | | | in. | mm | in. | mm | in. | mm | in. | mm | in. | mm | in. | mm | in. | mm | in. | mm | | |
| †▲▼ LF007QT | †▲ 007QT | ½ | 10 | 254 | 4 ⁵ / ₈ | 117 | 2 ⁷ / ₁₆ | 62 | — | — | 5 | 127 | 3 ³ / ₁₆ | 85 | 2 ⁵ / ₁₆ | 59 | 2 ¹ / ₁₆ | 52 | 4.5 | 2 |
| †▲▼ LF007M3QT | †▲ 007M3QT | ¾ | 11 ¹ / ₈ | 282 | 4 | 102 | 3 ¹ / ₈ | 79 | — | — | 6 ³ / ₁₆ | 157 | 3 ⁷ / ₁₆ | 87 | 2 ¹ / ₈ | 54 | 1 ¹⁵ / ₁₆ | 33 | 5 | 2.3 |
| †▲▼ LF007M1QT | †▲ 007M1QT | 1 | 13 ¹ / ₄ | 337 | 5 ¹ / ₈ | 130 | 4 | 102 | — | — | 7 ¹ / ₂ | 191 | 3 ³ / ₈ | 85 | 1 ¹¹ / ₁₆ | 43 | 1 ¹¹ / ₁₆ | 43 | 12 | 5.4 |
| †▲▼ LF007M2QT | †▲ 007M2QT | 1¼ | 16 ³ / ₈ | 416 | 5 | 127 | 3 ⁵ / ₁₆ | 84 | — | — | 9 ¹ / ₂ | 241 | 5 | 127 | 3 | 76 | 2 | 50 | 15 | 6.8 |
| †▲▼ LF007M2QT | †▲ 007M2QT | 1½ | 16 ³ / ₄ | 425 | 4 ⁷ / ₈ | 124 | 3 ¹ / ₂ | 89 | — | — | 9 ³ / ₄ | 248 | 5 ¹ / ₁₆ | 148 | 3 ¹ / ₈ | 79 | 2 ¹¹ / ₁₆ | 68 | 15.9 | 7.2 |
| †▲▼ LF007M1QT | †▲ 007M1QT | 2 | 19 ¹ / ₂ | 495 | 6 ¹ / ₄ | 159 | 4 | 102 | — | — | 13 ³ / ₈ | 340 | 6 ¹ / ₈ | 156 | 3 ⁷ / ₁₆ | 87 | 2 ¹¹ / ₁₆ | 68 | 25.7 | 11.7 |
| ●▼ LF007QT-S | ● 007QT-S | ½ | 13 | 330 | 6 | 152 | 2 ⁷ / ₁₆ | 62 | 3 | 76 | 5 | 127 | 3 ³ / ₈ | 85 | 2 ⁵ / ₁₆ | 59 | 2 ¹ / ₁₆ | 52 | 5.5 | 2.5 |
| ●▼ LF007M3QT-S | ● 007M3QT-S | ¾ | 14 ¹ / ₂ | 368 | 6 ¹ / ₈ | 156 | 3 ¹ / ₈ | 79 | 3 | 76 | 6 ³ / ₁₆ | 157 | 3 ⁷ / ₁₆ | 87 | 2 ¹ / ₈ | 54 | 1 ¹⁵ / ₁₆ | 33 | 6.7 | 3.1 |
| ●▼ LF007M1QT-S | ● 007M1QT-S | 1 | 17 ¹⁵ / ₁₆ | 157 | 7 ³ / ₄ | 197 | 4 | 102 | 3 ¹ / ₄ | 83 | 7 ¹ / ₂ | 191 | 3 ³ / ₈ | 85 | 1 ¹¹ / ₁₆ | 43 | 1 ¹¹ / ₁₆ | 43 | 14 | 6.4 |
| ●▼ LF007M2QT-S | ● 007M2QT-S | 1¼ | 21 ¹ / ₂ | 546 | 7 ¹ / ₁₆ | 179 | 3 ⁵ / ₁₆ | 84 | 3 ¹ / ₂ | 83 | 9 ¹ / ₂ | 241 | 5 | 127 | 3 | 76 | 2 | 50 | 19 | 8.6 |
| ●▼ LF007M2QT-S | ● 007M2QT-S | 1½ | 25 ¹⁵ / ₁₆ | 637 | 7 ¹ / ₁₆ | 179 | 3 ¹ / ₂ | 89 | 3 ³ / ₄ | 95 | 9 ³ / ₄ | 248 | 5 ¹ / ₁₆ | 148 | 3 ¹ / ₈ | 79 | 2 ¹¹ / ₁₆ | 68 | 19.6 | 8.9 |
| ●▼ LF007M1QT-S | ● 007M1QT-S | 2 | 27 ¹ / ₄ | 692 | 8 ³ / ₄ | 222 | 4 | 102 | 4 | 102 | 13 ³ / ₈ | 340 | 6 ¹ / ₈ | 156 | 3 ⁷ / ₁₆ | 87 | 2 ¹¹ / ₁₆ | 68 | 33.5 | 15.2 |

cont.

Dimensions – Weights continued

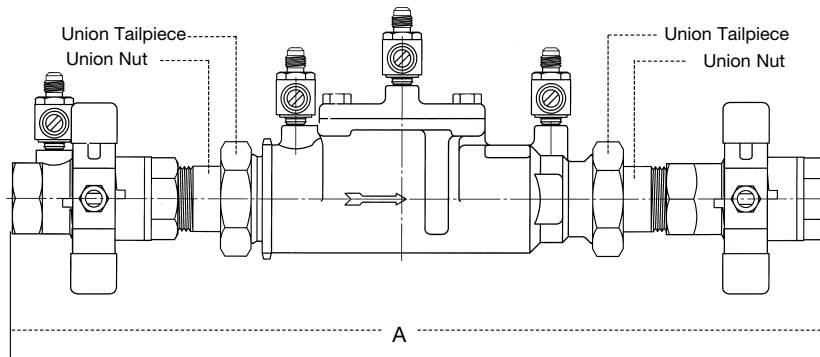
Sizes: 2½" – 3" (65 – 80mm)



LF007

| MODEL | | SIZE | DIMENSIONS | | | | | | WEIGHT | | | |
|--------------|------------|------------|------------|-----------|------------|-----------|--------------|-----------|------------|-----------|-------------|-------------|
| | | <i>in.</i> | <i>A</i> | | <i>B</i> | | <i>E, E1</i> | | <i>R</i> | | <i>lbs.</i> | <i>kgs.</i> |
| | | | <i>in.</i> | <i>mm</i> | <i>in.</i> | <i>mm</i> | <i>in.</i> | <i>mm</i> | <i>in.</i> | <i>mm</i> | | |
| LF007QT-FDA | 007QT-FDA | 2½ | 33⅜ | 841 | 6⅞ | 162 | 9⅛ | 230 | 8¾ | 222 | 155 | 70 |
| ▲ LF007-NRS | 007-NRS | 2½ | 33⅜ | 841 | 9⅞ | 238 | 9⅛ | 230 | 8¾ | 222 | 155 | 70 |
| ▲◆ LF007-OSY | 007-OSY | 2½ | 33⅜ | 841 | 16⅞ | 416 | 9⅛ | 230 | 8¾ | 222 | 158 | 72 |
| LF007-QT-FDA | 007-QT-FDA | 3 | 33⅜ | 867 | 6⅞ | 162 | 9⅛ | 230 | 8¾ | 222 | 155 | 70 |
| ▲ LF007-NRS | 007-NRS | 3 | 33⅜ | 867 | 10¼ | 260 | 9⅛ | 230 | 8¾ | 222 | 185 | 84 |
| ▲◆ LF007-OSY | 007-OSY | 3 | 33⅜ | 867 | 18⅞ | 479 | 9⅛ | 230 | 8¾ | 222 | 185 | 84 |

Sizes: ½" – 2" (15 – 50mm)



LFU007 / U007

| MODEL | | SIZE | DIMENSIONS | |
|------------|----------|------------|------------|-----------|
| | | <i>in.</i> | <i>A</i> | |
| | | | <i>in.</i> | <i>mm</i> |
| LFU007QT | U007QT | ½ | 12⅜ | 326 |
| LFU007M2QT | U007M2QT | ¾ | 13⅜ | 350 |
| LFU007M2QT | U007M2QT | 1 | 16⅞ | 422 |
| LFU007M2QT | U007M2QT | 1¼ | 20¾ | 527 |
| LFU007M2QT | U007M2QT | 1½ | 21½ | 546 |
| LFU007M1QT | U007M1QT | 2 | 24½ | 622 |