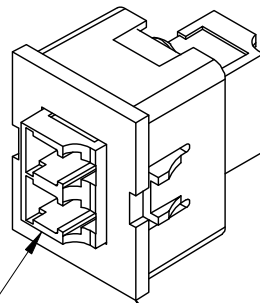
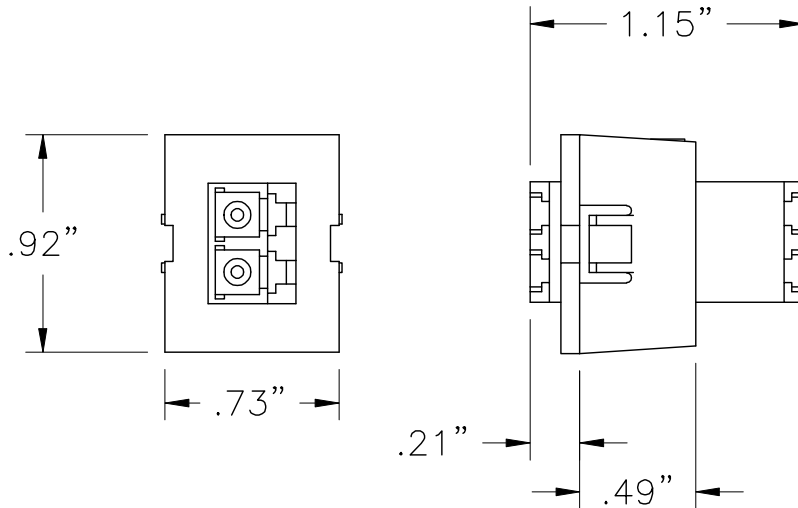


NOTES:

1. DUSTCAPS ARE PROVIDED INSTALLED.
2. DIMENSIONS ARE IN INCHES.
3. THE "-XX" AT THE END OF THE PART NUMBER SHALL INDICATE THE COLOR OF HOUSING. COLOR SHALL BE IN ACCORDANCE WITH ORTRONICS SPECIFICATION #OR-71601388.



INDICATES NOTE REFERENCE



ADAPTER, LC, DUPLEX,
BEIGE, MM WITH
PHOSPHOR BRONZE
SLEEVES

TRACJACK HOUSING



*** NOTICE ***

THIS DOCUMENT CONTAINS CONFIDENTIAL AND/OR PROPRIETARY INFORMATION INTENDED FOR USE ONLY BY THE INDIVIDUAL(S) SPECIFIED HEREIN AND ONLY FOR THE PURPOSE(S) PROVIDED. NEITHER THIS DOCUMENT, NOR ANY INFORMATION CONTAINED HEREIN, MAY BE COPIED, DISTRIBUTED, DISCLOSED TO ANY THIRD PARTY OR USED IN ANY MANNER OTHER THAN FOR WHICH IT HAS BEEN PROVIDED, WITHOUT THE PRIOR WRITTEN CONSENT OF ORTRONICS, INC.



TITLE
TRACJACK, LC BEIGE DUPLEX, FLUSH MOUNT, 180°, MULTIMODE, METAL SLEEVES

DWN.BY:	Dbogue	DATE	01/05/00
CHK.BY:	AM	DATE	01/31/07
APP.BY:	MEM	DATE	02/01/07

SIZE	CAD FILE	PART NUMBER	REV
A	63700039XXC	OR-63700039-XX	09
SCALE	NONE	DATE	06/02/09
		SHEET	1 OF 1