

Catalog Number	
Notes	Type

## FEATURES & SPECIFICATIONS

### INTENDED USE

The Circuit Distributor provides the interface between hard-wiring and RELOC. Conventional wiring methods bring power from the panel to the homerun location where the CD is installed.

### ELECTRICAL

- Rated for use on 20-amp branch circuits.
- All conductors are No. 12 AWG copper with 90°C thermoplastic insulation rated 600V.
- All components provide a fully rated No. 12 AWG grounding conductor.
- C12S option includes three 12 AWG conductors and 18 AWG shielded pair for controls wiring.
- Safety-keying prevents accidental mating of components with different voltages.
- Accommodates up to three hot conductors plus neutral and ground feed-through of branch circuits in a single component.
- Plenum rated.

### SYSTEM FEATURES

- Pin and socket contacts.
- Color-coded labels for quick voltage identification.
- 6" leads are prestripped 5/8" for ease of wiring.
- Available with armored cable. Select length option in feet.
- Extremely low-profile.

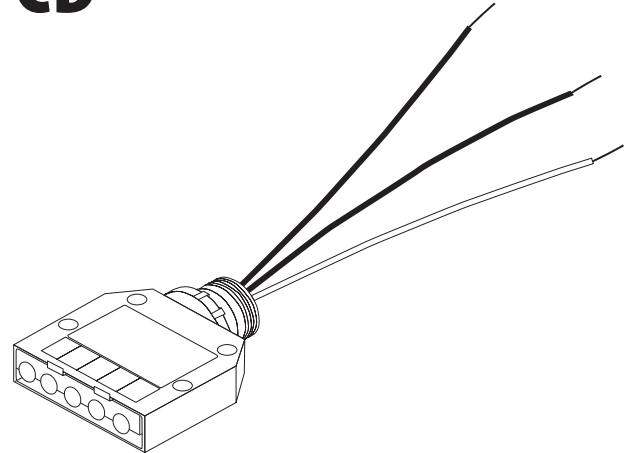
### LISTINGS

- UL Listed. CSA certified.
- Controls wiring option C12S is UL Listed only.
- C12S option meets NEC requirements for separation of Class 2 and Class 3 circuits from Class 1 circuits by a barrier as defined by Article 725.136(B).
- Meets NEC requirements for redundant ground paths for patient care areas in healthcare facilities (HCF option).
- Patents pending.

### 820 Circuit Distributor

### LIGHTING AND POWER SYSTEM

# CD



### WARRANTY

- 5-year limited warranty. Complete warranty terms located at [www.acuitybrands.com/CustomerResources/Terms\\_and\\_conditions.aspx](http://www.acuitybrands.com/CustomerResources/Terms_and_conditions.aspx)

### CONTROLS-ENABLED WIRING OPTIONS

- 0-24V integrated single-circuit or 0-10V low voltage controls applications: select C12S.

Note: Actual performance may differ as a result of end-user environment and application. Specifications subject to change without notice.

## ORDERING LOGIC

For shortest lead times, configure product using **bolded options**.

Example: **CD 120 F IGW**

CD		Voltage		Conductors		Length <sup>1</sup>		Controls Wiring		Options	
<b>Series</b>	<b>CD</b>	<b>120</b>	120V	<b>D</b>	Three	<b>(blank)</b>	6" wire leads <sup>2</sup>	<b>(blank)</b>	Not required	<b>2N</b>	Two neutrals <sup>4</sup>
		<b>208</b>	208V	<b>E</b>	Four	<b>01</b>	1 ft.	<b>C12S</b>	Integrated CI, CII rated line voltage and signal wires <sup>3</sup>	<b>HCF</b>	Meets healthcare facility requirements <sup>4</sup>
		<b>240</b>	240V	<b>F</b>	Five	<b>03</b>	3 ft.			<b>IGW</b>	Isolated ground <sup>5</sup>
		<b>277</b>	277V			<b>05</b>	5 ft.				
		<b>347</b>	347V			<b>09</b>	9 ft.				
		<b>480</b>	480V			<b>15</b>	15 ft.				

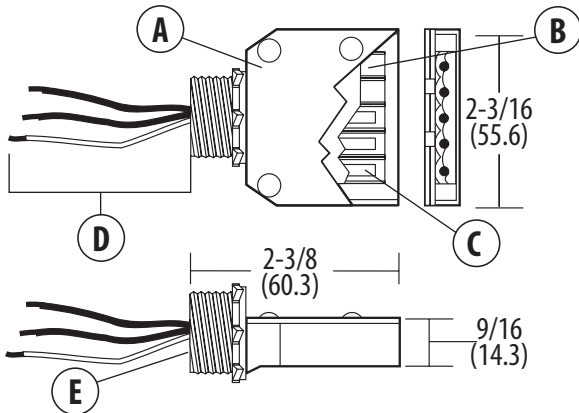
### NOTES

1. Contact factory for longer lead length requirements.
2. Not available with C12S or HCF.
3. C12S option available with D conductor only.
4. 2N and HCF available with F conductor only.
5. IGW available only with E and F conductor and 120V.

## DIMENSIONS

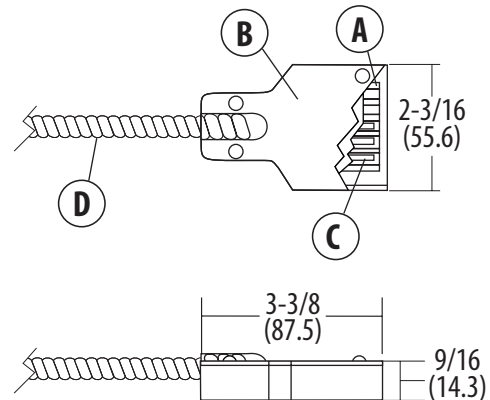
Dimensions are shown in inches (millimeters)

### Standard Construction



- A – 18-gauge, zinc-plated, CRS cover
- B – UL-recognized connector body
- C – Tin-plated, brass contacts
- D – 6" leads prestripped 5/8"
- E – Threaded nipple with locknut for easy installation in 1/2" trade-size K.O.

### Armored Cable Construction



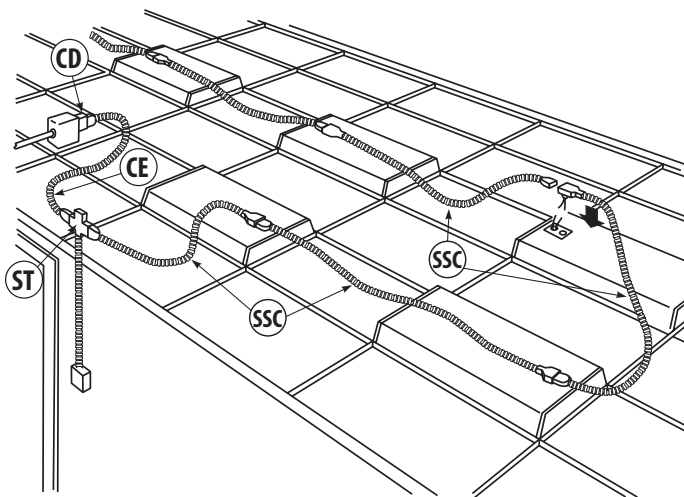
- A – Die-cast zinc with zinc-plated CRS cover
- B – UL recognized connector body
- C – Tin-plated brass contacts
- D – Length option required. MC Cable standard, FMC, HCF MC, C12S MC and cable fittings optional.

#### NOTES

- One, two or three hot conductors in 120V and 277V as required.
- Rated for 20-amp capacity.
- Prefabricated circuit distributor carrying No. 12 AWG copper conductors rated at 600V, 90°C thermoplastic insulation and fully rated solid bare grounding conductor.

## SYSTEM VIEW

System View designs are for illustrative purposes only.



Wire Color & Position for C12S Option		
Pin Position	Pin Function	Wire Color/Voltage
1	Data 2, Common (-)	Gray
2	Data 1, Positive (+)	Purple
3	Ground	Bare
4	Neutral	White/120V Gray/277V
5	Hot	Black/120V Brown/277V

Standard Pin Position / Wire Color		
Position	120V/347V	277V
2	Red	Brown
1	Black	Yellow
G	Green	Green
N	White	White
3	Blue	Orange

Isolated Ground Wire Pin Position / Wire Color	
Position	120V
2	Red
1	Black
G	Green
N	White
IGW	Green/Yellow

2 Neutral Pin Position / Wire Color		
Position	120V/347V	277V
2	Red	Brown
1	Black	Yellow
G	Green	Green
N	White	White
2N	Gray	Gray

Special Industrial Voltages Pin Position / Wire Color	
Position	208/240V/480V
2	Red
1	Black
G	Green
4	Brown
3	Blue