

RWF – PULSAIR™

WALL FAN HEATER



PULSAIR™

THE CLASSIC FAN HEATER

You won't find anything better than this efficient, durable and low noise fan heater. The Pulsair is extremely popular for many reasons. First, it can be recessed or surface mounted with a surface adapter (optional). It can also be mounted vertically or horizontally so that air can flow either up and down or right and left. Finally, the slim-line Pulsair can be recessed into a wall thickness of 2 in. to 3 in. While it's a winning heating solution for hallways or bathrooms, it can also be installed anywhere in the house, such as the office, or in commercial spaces. Its nichrome element provides instant heat. Available from 500 W to 2000 W, and from 120 V to 347 V, the Pulsair is recognized and recommended by those in the know.

■ VERY QUIET FAN HEATER

■ THE MOST RESISTANT GRILLE ON THE MARKET

■ INSTANT HEAT NICHROME ELEMENT

■ MULTIPLE INSTALLATION OPTIONS RECESSED, SURFACE MOUNTED, HORIZONTAL OR VERTICAL

■ ADAPTS TO MULTIPLE MARKETS AVAILABLE IN: 120 V, 208 V, 240 V AND 347 V

COLOURS

- **standard:** white
- **Orora (optional):** refer to www.stelpro.com/en-CA/Orora

FINISH

- epoxy-polyester powdercoat

MANUFACTURING

- 20-gauge steel cabinet and 18-gauge steel grille
- quiet fan – 40 CFM (500 W to 1000 W models) – 75 CFM (1250 W to 2000 W models)
- thermal protection with automatic reset

ELEMENT

- nichrome element produces instant heat

CONTROL

- built-in thermostat (optional), 3 control knobs included (white, soft white and black)
- wall thermostat (not included) – the use of an electronic thermostat is strongly recommended

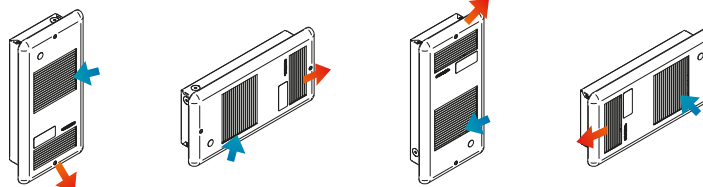
INSTALLATION

- wall mounted
- recessed (wall must have a depth of 2 3/8 in. minimum)
- surface mounted with surface adapter (optional)
- four installation positions

WARRANTY

- five years

FOUR INSTALLATION OPTIONS



IDEAL FOR:

hallway, bathroom, locker room, office

°STELPRO

Stelpro reserves the right to modify at any time the description, manufacturing, or price of its products. Additionally, Stelpro may apply restocking fees or refuse a refund based on one or more of the following criteria: optional color, custom product, assembly with low-demand options. For the latest product information and prices regarding the products, please visit the website www.stelpro.com.



TECHNICAL SPECIFICATIONS

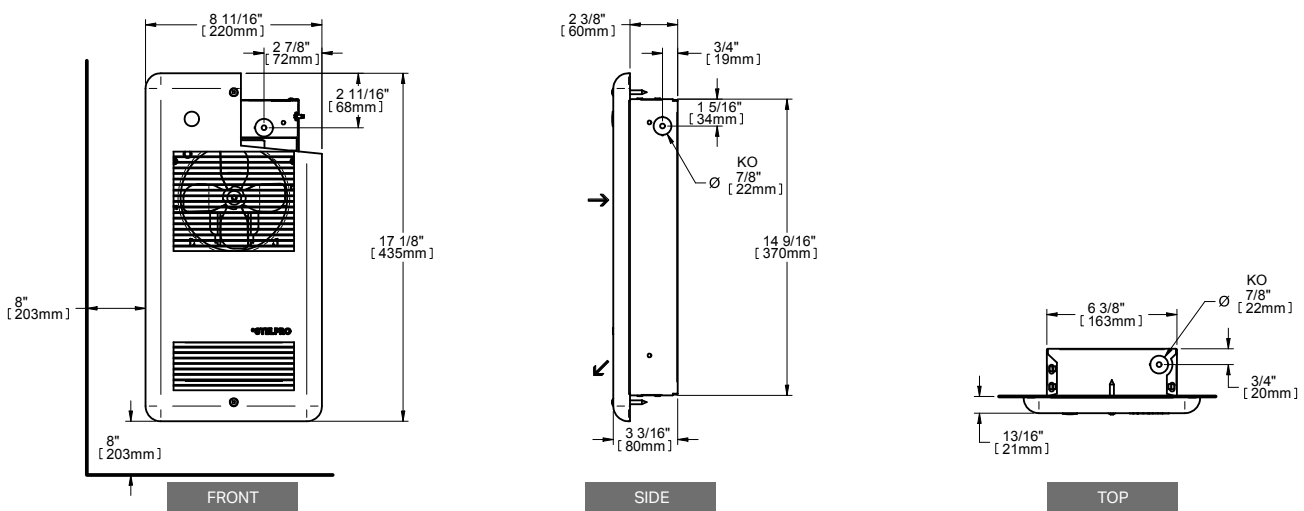
| WITHOUT CONTROL | BUILT-IN THERMOSTAT | 24 V CONTROL | POWER | VOLTAGE | FLOW | THROW DISTANCE | HEAT RISE | WEIGHT |
|-----------------|---------------------|--------------|-----------|---------|------|----------------|-----------|--------|
| CODE | CODE | CODE | WATTS | VOLTS | CFM | M FT. | °C °F | KG LB |
| RWF0501W | --- | --- | 500 | 120 | 40 | 2 6'6" | 22 39 | 2.7 6 |
| RWF0508W | --- | --- | 500 | 208 | 40 | 2 6'6" | 22 39 | 2.7 6 |
| RWF0502W | --- | --- | 500/375 | 240/208 | 40 | 2 6'6" | 22 39 | 2.7 6 |
| RWF0503W | RWF0503TW | RWF0503C24W | 500 | 347 | 40 | 2 6'6" | 22 39 | 2.7 6 |
| RWF0751W | --- | --- | 750 | 120 | 40 | 2 6'6" | 33 59 | 2.7 6 |
| RWF0758W | --- | --- | 750 | 208 | 40 | 2 6'6" | 33 59 | 2.7 6 |
| RWF0752W | --- | --- | 750/563 | 240/208 | 40 | 2 6'6" | 33 59 | 2.7 6 |
| RWF0753W | RWF0753TW | RWF0753C24W | 750 | 347 | 40 | 2 6'6" | 33 59 | 2.7 6 |
| RWF1001W | --- | --- | 1000 | 120 | 40 | 2 6'6" | 44 79 | 2.7 6 |
| RWF1008W | --- | --- | 1000 | 208 | 40 | 2 6'6" | 44 79 | 2.7 6 |
| RWF1002W | --- | --- | 1000/750 | 240/208 | 40 | 2 6'6" | 44 79 | 2.7 6 |
| RWF1003W | RWF1003TW | RWF1003C24W | 1000 | 347 | 40 | 2 6'6" | 44 79 | 2.7 6 |
| RWF1251W | --- | --- | 1250 | 120 | 75 | 2.1 6'10" | 29 53 | 2.7 6 |
| RWF1258W | --- | --- | 1250 | 208 | 75 | 2.1 6'10" | 29 53 | 2.7 6 |
| RWF1252W | --- | --- | 1250/938 | 240/208 | 75 | 2.1 6'10" | 29 53 | 2.7 6 |
| RWF1253W | RWF1253TW | RWF1253C24W | 1250 | 347 | 75 | 2.1 6'10" | 29 53 | 2.7 6 |
| RWF1501W | --- | --- | 1500 | 120 | 75 | 2.1 6'10" | 35 63 | 2.7 6 |
| RWF1508W | --- | --- | 1500 | 208 | 75 | 2.1 6'10" | 35 63 | 2.7 6 |
| RWF1502W | --- | --- | 1500/1125 | 240/208 | 75 | 2.1 6'10" | 35 63 | 2.7 6 |
| RWF1503W | RWF1503TW | RWF1503C24W | 1500 | 347 | 75 | 2.1 6'10" | 35 63 | 2.7 6 |
| --- | --- | --- | 2000 | 120 | 75 | 2.1 6'10" | 47 89 | 2.7 6 |
| RWF2002W | --- | --- | 2000/1500 | 240/208 | 75 | 2.1 6'10" | 47 89 | 2.7 6 |
| RWF2008W | --- | --- | 2000 | 208 | 75 | 2.1 6'10" | 47 89 | 2.7 6 |
| RWF2003W | RWF2003TW | RWF2003C24W | 2000 | 347 | 75 | 2.1 6'10" | 47 89 | 2.7 6 |

Consult the optional colours chart or contact your Stelpro representative for all other colours.
Models also available in 277 V. --- not available

ACCESSORIES

| PRODUCT | DESCRIPTION |
|---------|---|
| RWFT1W | built-in single pole thermostat [120 V-347 V] |
| RWFT2 | built-in double pole thermostat [120 V-347 V] |
| RWFSAW | surface adapter |

TECHNICAL DRAWINGS



Stelpro reserves the right to modify at any time the description, manufacturing, or price of its products. Additionally, Stelpro may apply restocking fees or refuse a refund based on one or more of the following criteria: optional color, custom product, assembly with low-demand options. For the latest product information and prices regarding the products, please visit the website www.stelpro.com.