



LRG4

4" Round Regressed Gimbal LED 11.4W

Project: _____

Location: _____

Model #: _____ Qty: _____

Notes: _____

DESCRIPTION

4" Round Regressed Gimbal LED 11.4W
 With Integral Driver In Connection Box
 Adjustable Yet Air-Tight Without Housing Needed

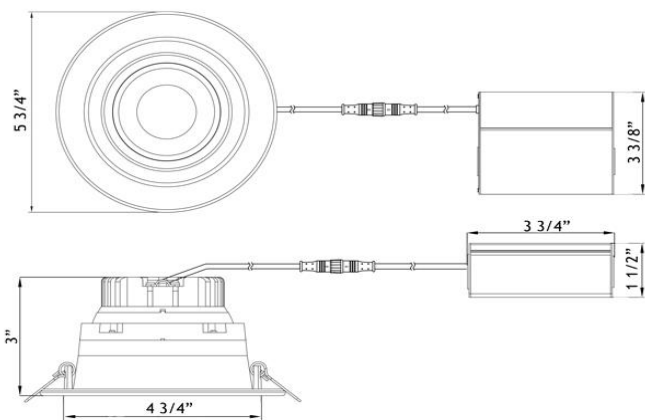
FEATURES & BENEFITS

3" Deep - Install Where Ceiling Space Is Limited
 Type IC Rated - No Housing Required
 Driver Inside Connection Box - No Junction Box Needed
 Directional Beam - Great for Sloped Ceilings and Artwork
 CRI 90+ for True Color Rendering
 Available in single CCT, Dim to Warm 30-20K & 30-18K, & 5 CCT

MOUNTING

Cut Hole In Ceiling And Snap Fixture In Opening With Attached Spring Clips. Ceiling Clearance Required: 3"

DIMENSIONS: ID 4 3/4" OD 5 3/4" Cut Out 4 3/4" to 5"



AVAILABLE TRIMS



White



Black



Oil Rubbed Bronze

ORDERING GUIDE Example **LRG4-30K-WH**

LRG4	CCT	Trim Finish	Beam
	-xxK	-xx	blank for 38°
2700K	27K	WH White	-60D for 60°
3000K	30K	BK Black	
3500K	35K	ORB Oil Rubbed Bronze	
4100K	41K		
5000K	50K		
DTW 30K-20K	32K	Dim to Warm 3000K to 2000K	
DTW 30K-18K	3018K	Dim to Warm 3000K to 1800K	
5 CCT	5CCT	User selectable 27-30-35-40-50K	

SPECIFICATION	
Applications	Sloped Ceilings up to 20°, General Lighting
Energy Used	11.4 W
Color Temperature (K)	2700 3000 3500 4100 5000 DTW 30-20 DTW 30-18
Light Output W (lm)	960 1000 1020 1050 1100 800 980
Beam Angle	38° standard / 60° custom
Tilt	20° tilt and 360° rotation
CRI	90 +
Default Driver Input	120V AC Triac Dimmable
Optional Driver Input	120V-347V AC 0-10V Dimmable
Junction Box Wire Capacity	Max 5 No 12 AWG or 8 No 14 AWG
Power Factor	0.95
Approved Location	Insulated Ceiling & Wet Locations
IP Rating	IP 54
Air Tight	Yes
Ambient Temperature	-40°F (-40°C) to +104°F (+40°C)
Projected Life	70% Light Output at 50,000 Hours
Certification	cULus, T24
Warranty	10 Year Residential / 5 Year Commercial

120V TRIAC Dimmable Driver Included



ACCESSORIES

Optional 120V - 347V Driver
 0-10V Dimmable



[model # LLL-LD1025T](#)

Sold Separately

Low Voltage Extension Cables. Max 40 ft Allowed



[6ft - model # EXC6](#)
[20ft - model # EXC20](#)



[26" Flat Rough-In Plates model # RIP5](#)



[Flanged Plate with Hanger Bars model # FRP5](#)

COMPLIANCE



Type IC
 Air-Tight
 Wet Location

USA Patent # US 10,344,952 B2 | Canada Patent # 2,967,954

Lotus LED Lights USA

250 H Street # 301, Blaine WA 98230 tel 360-200-5500
 Hainesport NJ, Naples FL, Vancouver WA

www.LotusLEDLights.com

mailing addresses
 warehouses

Lotus LED Lights CANADA

1080 Cliveden Ave # 6, Delta BC V3M 6G6 tel 604-538-3090
 Delta BC & Mississauga ON