

30 SERIES

Embedded Network Video Recorder
HN300401xx | HN300802xx | HN301602xx

Introducing the Honeywell 30 Series Embedded NVRs, our newest line of affordable, robustly featured NVRs that offer 4K HD (UHD) video resolution and are fully NDAA Section 899 compliant.



Choose between 4, 8 or 16 channels, multiple hard drive options, and up to 20 TB of internal storage for an ideal and flexible solution to fit your surveillance needs.

FULLY FEATURED NVRs

- High decoding capability for 4K Ultra HD (UHD) viewing and recording
- View 1- to 4-channels simultaneously with synchronized real-time playback on your monitor (depending on the decoding capacity and recording resolution)
- Up to 8 MP (4K) resolution live view and playback
- Supports H.265 HEVC Smart Codec/H.264/MJPEG Video Codec
- De-warp fisheye camera video in NVR local, web client, Honeywell Video Management Viewer (HVMV) and HVMV Mobile App for 360° situational awareness
- Together with 30/60 Series cameras, offers bandwidth saving features such as Dynamic Intra-Frame Period, Smart Codec and Smart Frame Rate
- Received People Detection Notification for efficient and effective protection
- With two-way audio communication between the Honeywell Video Management Viewer (HVMV) to 30/60 Series cameras, intruders can be warned to leave before any damage is done

MARKET OPPORTUNITIES

Flexible storage options, high recording and networking performance, robust cyber security performance and flexible remote monitoring options make these NVRs perfect for a wide range of security applications where compliance is essential and data is protected

FEATURES AND BENEFITS



H.265/H.264/MJPEG codec decoding
HDMI/VGA simultaneous video output
USB ports supports keyboard and mouse (US Keyboard)



Supports up to 4 alarm input channels and 1 alarm relay output channels
Supports sending notifications through email, alarm out
Supports push notification on mobile app



Supports recording a video clip of events for distribution
Supports uploading still images at the time of the event through email
Supports two-way audio



Configurable to automatically detect and respond to motion in the scene, alarm inputs, and network failure or tampering



Supports visual or auditory notifications (a flashing light, bell or siren)

Honeywell

FEATURES AND BENEFITS, CONTINUED

DYNAMIC ACCESSIBLE MONITORING

- Simple remote configuration through Honeywell Video Management Viewer (HVMV)
- Global P2P Service with reliable connection anytime, anywhere
- Mobile apps provide anytime, anywhere access for both Apple® and Android™ devices
- Push Notification feature available on mobile app to ensure timely staff notification no matter where they are located

SECURE AND COMPLIANT SOLUTION

- For use as part of Video Systems which comply with NDAA Section 889
- Built-in FIPS certification ready chip set
- Together with 30/60 Series cameras, provides an end-to-end encrypted solution, with video streaming encrypted from the 30/60 Series cameras to NVR, and video streaming/control encrypted between NVR and web client/viewer/mobile app
- PCI-DSS compliant

CONVENIENT, FLEXIBLE STORAGE OPTIONS

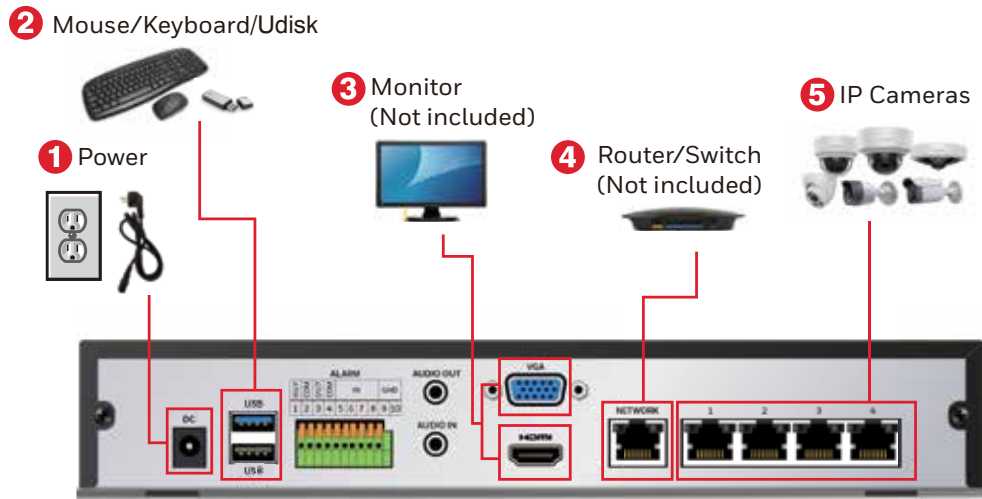
- Internal storage supports 2 HDDs for 8 and 16 CH NVR expandable up to 20 TB (10 TB per drive) and 1HDD for 4 CH NVR
- Store video clips and snapshots to external storage, such as USB device on local side or PC client on web side

EASY TO USE

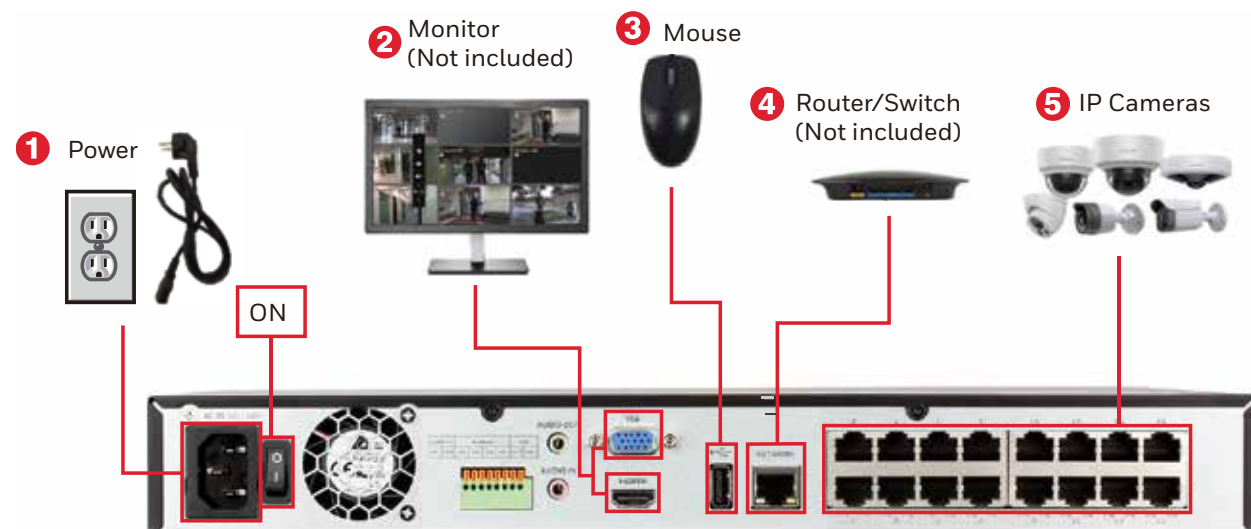
- Together with 30/60 Series cameras, the plug-and-play feature makes set-up fast and easy
- Full channels PoE make it easy-to-use, also saves on installation time and cost
- Quick wizard provides easy and convenient setup
- Quick installations utilizing an intuitive NVR design and easy-to-understand quick installation guides

30 Series Embedded Network Video Recorder Technical Specifications

HN300401xx System Diagram

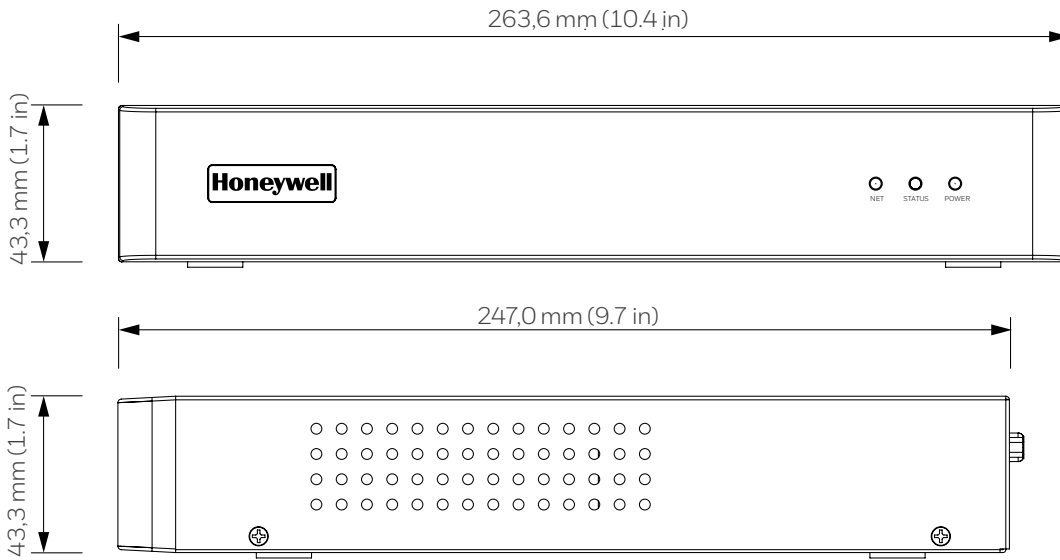


HN300802xx/HN301602xx System Diagram

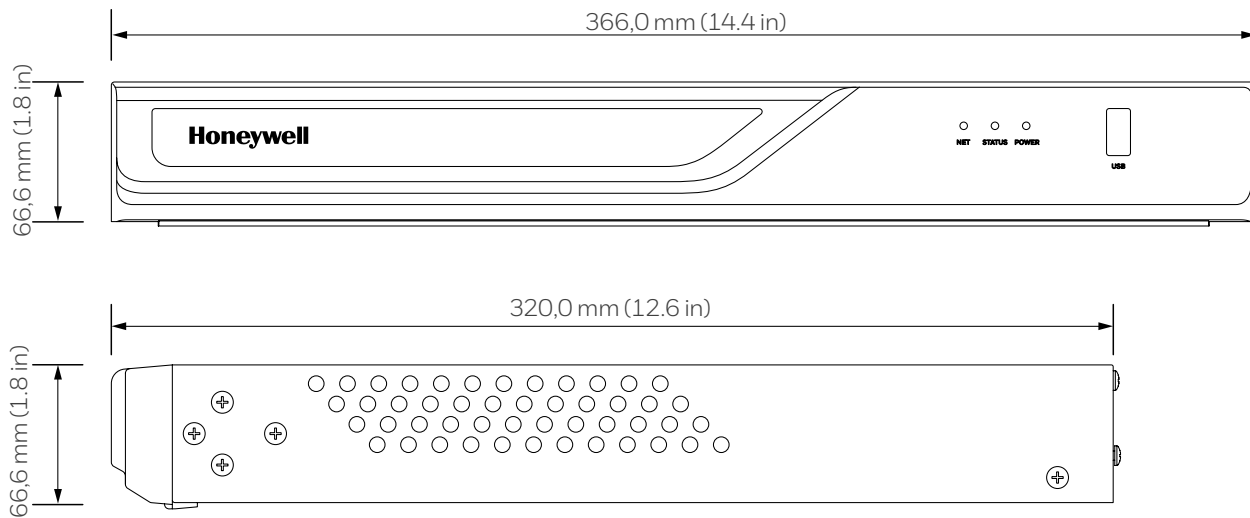


30 Series Embedded Network Video Recorder Technical Specifications

HN300401xx Dimensions



HN300802xx/HN301602xx Dimensions



30 Series Embedded Network Video Recorder Technical Specifications

SYSTEM	
Main Processor	ARM processor
Operating System	Embedded LINUX
Camera Integration	ONVIF Profile S
User Management	User level: administrator, regular user
Log	System, recording, user, error
Date & Time	Time zone, manual, automatic sync NTP, daylight saving time
Fan	Yes
Security	FIPS chipsets built in, encrypted streaming & control
VIDEO	
Inputs	HN300401xx: 4 channels HN300802xx: 8 channels HN301602xx: 16 channels
AUDIO	
Audio	3,5 mm Line out x1
Audio Format	G.711, G.726
DISPLAY	
Interface	HDMI x 1 (4K max), VGA x1 (1080P)
Resolution	3840 x 2160, 1920 x 1080, 1280 x 720
Local Display Split	HN300401xx: 1x1, 2x2, 1P+3, 3V HN300802xx: 1x1, 2x2, 3x3, 1M+5, 1P+3, 1P+6, 2P+3, 3V HN301602xx: 1x1, 2x2, 3x3, 4x4, 1M+5, 1M+12, 1P+3, 1P+6, 2P+3, 3V
Stream Application	1X1: Camera stream 1 2x2: Camera stream 2 3V: Camera stream 2 3x3 and above: Camera stream 3
Monitor Enhancement	OSD display (NVR), OSD display (camera), camera information, aspect ratio
Fisheye Dewarp	Support on NVR local, web client, viewer & mobile app
PTZ Operation	Direction control, home, iris, preset, patrol (group), digital PTZ
RECORDING	
Compression	H.265 smart codec/H.264/MJPEG
Resolution	Up to 3840 x 2160
Frame Rate	30 fps
Recording Mode	Continuous, schedule, manual, event
Pre-Event Recording Interval	5 s (max. 10 s)
Post-Event Recording Interval	20 s (max. 300 s)
Recording Stream	Single
Recording Throughput	HN300401xx: total 32 Mbps, maximum 8 Mbps per channel HN300802xx: total 64 Mbps, maximum 8 Mbps per channel HN301602xx: total 96 Mbps, maximum 6 Mbps per channel
VIDEO DETECTION AND ALARMS	
Event	Camera: Camera alarm in/out, motion detection, people detection, intrusion detecting, tampering detection, camera disconnection System: System alarm in/out, disk failure, disk full
Event Action	Video recording, send email, buzzer, FTP, camera alarm out, pan-tilt-zoom, HTTP, system alarm out, send to HVMV
Alarm Input	4
Alarm Out	HN300401xx: 2 HN300802xx/HN301602xx: 1

STORAGE	
Internal HDD	HN300401xx: Internal x 1 (3.5"), HN300802xx/HN301602xx: Internal x 2 (3.5")
HDD Max. Capacity	10 TB per drive
Manual Backup	USB dongle (FAT format)
PLAYBACK AND BACKUP	
Sync Playback	1-4 channels depending on the video resolution and decoding capability
Decoding	H.265/H.264: 3840 x 2160 @ 30 fps (1-CH) 2560 x 1920 @ 30 fps (1-CH) 1920 x 1080 @ 120 fps (4-CH) 1280 x 720 @ 240 fps (8-CH) 720 x 576 @ 480 fps (16-CH)
Search Mode	Time search, event search
Playback Function	Regular (play, pause, stop), play backwards, next/previous frame, go back 10 seconds, go forward 10 seconds, speed control, timeline, timeline scale, digital zoom, Fisheye display mode, export clips
Snapshot	JPEG
NETWORK	
Ethernet	HN300401xx: 10/100 Mbps Ethernet (RJ-45) x 1 HN300802xx & HN301602xx: 10/100/1000 Mbps Ethernet (RJ-45) x 1 APIPA (If no external DHCP server)
PoE	Support DHCP Server HN300401xx: 802.3at/af compliant PoE ports x 4 HN300802xx: 802.3at/af compliant PoE ports x 8 HN301602xx: 802.3at/af compliant PoE ports x 16
DHCP Server	Yes
Supported Protocols	IPv4, TCP/IP, HTTP, HTTPS, RTSP/RTP/RTCP, SMTP, DHCP, NTP, DNS, FTP, P2P
Maximum Number of Users	15
Network Throughput	Input and output total 128 Mbps
Smart Phone Compatibility	iOS® 11 or later and Android™ 5.0 or later support
Browsers	IE 11, Chrome
AUXILIARY INTERFACE	
USB Ports	HN300401xx: Back x2 HN300802xx/HN301602xx: Front x1; Back x1
ELECTRICAL	
Power Supply	100 V AC to 240 V AC, 50 Hz/60 Hz
Power Consumption	HN300401xx: max. 76 W; 14.29 W without HDD without PoE Total PoE power consumption max. 50 W, 30 W for a single port HN300802xx: max. 230 W; 14.29 W without HDD without PoE Total PoE power consumption max. 120 W, 30 W for a single port HN301602xx: max. 340 W; 14.29 W without HDD without PoE Total PoE power consumption max. 200 W, 30 W for a single port
ENVIRONMENTAL	
Operating Temperature	-10°C to 55°C (14°F to 131°F)
Relative Humidity	0 to 95 %
Storage Temperature	-20°C to 70°C (-4°F to 158 °F)

PHYSICAL	
Dimensions (W x D x H)	HN300401xx: 263,6 mm x 247,0 mm x 43,3 mm (10.4 in x 9.7 in x 1.7in)
	HN300802xx/HN301602xx: 366,0 mm x 320,0 mm x 44,6 mm (14.4 in x 12.6 in x 1.8 in)
Weight (Without HDD)	HN300401xx: 2,35 kg (5.2 lb)
	HN300802xx: 3,52 kg (7.8 lb)
	HN301602xx: 3,63 kg (7.4 lb)

REGULATORY	
Emissions	FCC Part 15B, EN 55032: 2015, EN 61000-3-2: 2014, EN 61000-3-3: 2013
Immunity	EN 50130-4: 2011+A1: 2014
Safety	EN 62368-1:2014
	UL 62368-1, 2 nd Ed, 2014-12-01 CAN/CSA C22.2 No. 62368-1-14, 2 nd Ed
RoHS	EN 50581: 2012

RECOMMENDED CAMERAS	
Dome Cameras	HC30W25R3, HC30W25R3-12V, HC30W42R3, HC30W45R3, HC30W45R2, HC60W45R2, HC60W45R4, HC60W35R2, HC60W35R4, HC60W34R2, HC60W34R2L, HC60W44R2, HC60W44R2L
Bullet Cameras	HC30WB2R1, HC30WB5R1, HC30WB5R2, HC60WB5R5, HC60WB5R2, HC60WB4R2, HC60WB4R2L, HC60WB4R2, HC60WB4R2L
Ball Cameras	HC30WE2R3, HC30WE5R3, HC30WE5R2
Fisheye Cameras	HC30WF5R1
PTZ Cameras	HC60WZ5R30, HC60WZ2E30

ORDERING	
HN30040100	4 Chs NVR 4K (8 MP) Support, H.265/H.264, 4 Chs POE, Stream Encryption, 0 TB
HN30040101	4 Chs NVR 4K (8 MP) Support, H.265/H.264, 4 Chs POE, Stream Encryption, 1 TB
HN30040102	4 Chs NVR 4K (8 MP) Support, H.265/H.264, 4 Chs POE, Stream Encryption, 2 TB
HN30040104	4 Chs NVR 4K (8 MP) Support, H.265/H.264, 4 Chs POE, Stream Encryption, 4 TB
HN30040106	4 Chs NVR 4K (8 MP) Support, H.265/H.264, 4 Chs POE, Stream Encryption, 6 TB
HN30040108	4 Chs NVR 4K (8 MP) Support, H.265/H.264, 4 Chs POE, Stream Encryption, 8 TB
HN30040110	4 Chs NVR 4K (8 MP) Support, H.265/H.264, 4 Chs POE, Stream Encryption, 10 TB
HN30080200	8 Chs NVR 4K (8 MP) Support, H.265/H.264, 8 Chs POE, Stream Encryption, 0 TB
HN30080202	8 Chs NVR 4K (8 MP) Support, H.265/H.264, 8 Chs POE, Stream Encryption, 2 TB
HN30080204	8 Chs NVR 4K (8 MP) Support, H.265/H.264, 8 Chs POE, Stream Encryption, 4 TB
HN30080208	8 Chs NVR 4K (8 MP) Support, H.265/H.264, 8 Chs POE, Stream Encryption, 8 TB
HN30080216	8 Chs NVR 4K (8 MP) Support, H.265/H.264, 8 Chs POE, Stream Encryption, 16 TB
HN30160200	16 Chs NVR 4K (8 MP) Support, H.265/H.264, 16 Chs POE, Stream Encryption, 0 TB
HN30160204	16 Chs NVR 4K (8 MP) Support, H.265/H.264, 16 Chs POE, Stream Encryption, 4 TB
HN30160208	16 Chs NVR 4K (8 MP) Support, H.265/H.264, 16 Chs POE, Stream Encryption, 8 TB
HN30160216	16 Chs NVR 4K (8 MP) Support, H.265/H.264, 16 Chs POE, Stream Encryption, 16 TB
HN30160220	16 Chs NVR 4K (8 MP) Support, H.265/H.264, 16 Chs POE, Stream Encryption, 20 TB

For More Information
buildings.honeywell.com/security

Honeywell Commercial Security
 715 Peachtree St NE
 Atlanta, GA 30308
 1.800.323.4576
www.honeywell.com

Android™ is a trademark or registered trademark of Google Inc. in the United States and/or other countries.

Apple® is a trademark or registered trademark of Apple, Inc. in the United States and/or other countries.

iOS® is a registered trademark of Cisco in the US and is used by Apple under license.

ONVIF and the ONVIF logo are trademarks of ONVIF Inc.

Honeywell reserves the right, without notification, to make changes in product design or specifications.

HSV-HN30SNVR-09-US(0621)DS-IL
 © 2021 Honeywell International Inc.

Honeywell

30 SERIES

HC30WE2R3

HC30WE5R3

2MP/5MP IP WDR IR Ball Camera



OPERATIONAL

Video Standard	NTSC/PAL
Scanning System	Progressive
Image Sensor	HC30WE2R3: 1/2.9" Progressive CMOS HC30WE5R3: 1/2.7" Progressive CMOS
Number Of Pixels (H × V)	HC30WE2R3: 1920(H) × 1080(V) HC30WE5R3: 2560(H) × 1920(V)
Minimum Illumination	HC30WE2R3: 0.065lux color @ F2.0, 0 lux B/W with IR LEDs on @ F2.0 HC30WE5R3: 0.03 lux color @ F2.0, 0 lux B/W with IR LEDs on @ F2.0
S/N Ratio	> 55 dB
Electronic Shutter Speed	1/5 ~ 1/32,000
IR Distance	Distance up to 50m (165ft)
IR Light Control	Smart IR (Auto/Manual)/OFF
IR Light Number	2
Day/Night	Auto/Day/Night/Schedule
Backlight Compensation	WDR, HLC
White Balance	Auto/Fixed Current/Manual
Gain Control	0-100%
Wide Dynamic Range	120dB
Noise Reduction	3D DNR
Privacy Masking	Off / On (5 Areas)
Motion Detection	Motion/Intrusion/People detection
Tampering Detection	Tampering Detection/Image too dark detection/Image too bright detection/Image too blurry detection
Region Of Interest	Support
Lens	2.8mm, Fixed, F2.0
Angle Of View	HC30WE2R3: H:109°, V:59° HC30WE5R3: H:103°, V:76° @5M HC30WE5R3: H:108°, V:60° @4M

VIDEO

Video Compression	H.265/H.264/Smart Codec/MJPEG
Resolution	HC30WE2R3: 1920×1080/1600×904/1360×768/ 1280×720/640×360/480×272 HC30WE5R3 (5MP): 2560×1920/2048×1536/ 1600×1200/1280×960/800×600/640×480; HC30WE5R3 (4MP): 2688×1520/1920×1080/ 1600×904/1280×720/640×360
Frame Rate	HC30WE2R3: Main Stream: 1080P (1 ~ 25/30fps); Sub Stream: 720P (1 ~ 25/30fps); Third Stream: 640x360(1 ~ 25/30fps); HC30WE5R3: Main Stream: 5M/4M (1 ~ 25/30fps); *Up to 30fps @5M under H.265 only Sub Stream: 800x600 (1 ~ 25/30fps); Third Stream: VGA (1 ~ 25/30fps)
Bit Rate Control	Constrained bit rate/Fixed quality
Bit Rate	20k ~ 40Mbps

NETWORK

Ethernet	10 Base-T/100 Base-TX Ethernet (RJ-45)
Supported Web Browsers	Chrome 71+, Internet Explorer 11.0+
Supported OS	Microsoft Windows 7/10
Protocols*	IPv4, IPv6, TCP/IP, HTTP, HTTPS, UPnP, RTSP/RTP/RTCP, IGMP, SMTP, DHCP, NTP, DNS, DDNS, CoS, QoS, SNMP, 802.1X, UDP, ICMP, ARP, TLS
Interoperability	ONVIF Profile G/S
Maximum Users Access	10 Users
Security	User account and password protection, HTTPS, IP Filter, Digest authentication, TLS1.2 only, Stream encryption, AES-128/256, SSH/ Telnet closed, PCIDSS compliance
Event	Event notification using HTTP, SMTP, NAS server and MicroSD card File upload via HTTP, SMTP, NAS server and MicroSD card
Micro SD	Micro SD/SDHC/SDXC card slot (256GB)

ELECTRICAL

Power Supply	DC12V, PoE (IEEE 802.3af) (Class 2)
Power Consumption	MAX 6.49W

MECHANICAL

Dimensions	ø105mm × 82.5mm (ø4.13"×3.25")
Product Weight	0.47kg
Package Weight	0.81kg
Material	Die-casting aluminum housing with coating
Construction Color	RAL 120-1 (Lyric White)

ENVIRONMENTAL

Operating Temperature	Starting: -10°C ~ 60°C (14°F ~ 140°F) Working: -30°C ~ 60°C (-22°F ~ 140°F)
Relative Humidity	Less than 90%, non-condensing
Ingress Protection	IP66
Vandal Resistance	IK10

REGULATORY

Emissions	FCC PART 15B, EN 55032, EN61000-6-3
Immunity	EN 50130-4
Safety	UL 62368-1, EN 62368-1
ROHS	EN 50581
Country of Origin	Taiwan

*Some development may be required in specific user cases to support some of these protocols in the field as they mature over time.

Honeywell

30 SERIES 2MP/5MP IP WDR IR BALL CAMERA

SYSTEM COMPATIBILITY*	
MAXPRO NVR PE	Up to 128 IP channels RAID5/6 Enterprise NVR
MAXPRO NVR SE	Up to 64 IP channels System NVR
MAXPRO NVR XE	Up to 16 IP channels system NVR
MAXPRO NVR SOFTWARE	Up to 128 IP channels Recording Software
ADPRO NVR FASTTRACE 2E	Up to 32 IP channels with up to 32 VA channels NVRs, or Up to 20 Analogue channels Hybrids
ADPRO NVR IFT-E	Up to 32 IP channels with up to 32 VA channels NVRs
ADPRO NVR IFT	Up to 32 IP channels or 16 IP channels with up to 16 VA channels NVRs
ADPRO NVR IFT GATEWAY	4 IP channels + 4 VA channels
HEN*4	8/16/32/64-channel Performance Series NVRs (H.264 and H.265)
HEN*3	4/8/16-channel Performance Series NVRs (H.264 and H.265)
HONEYWELL DVM	Supported with Honeywell DVM R700.1 SP1 (and later maintenance releases)
30 SERIES NVRS	8/16-channel 30 Series NVRs (4K/ H.264 and H.265)

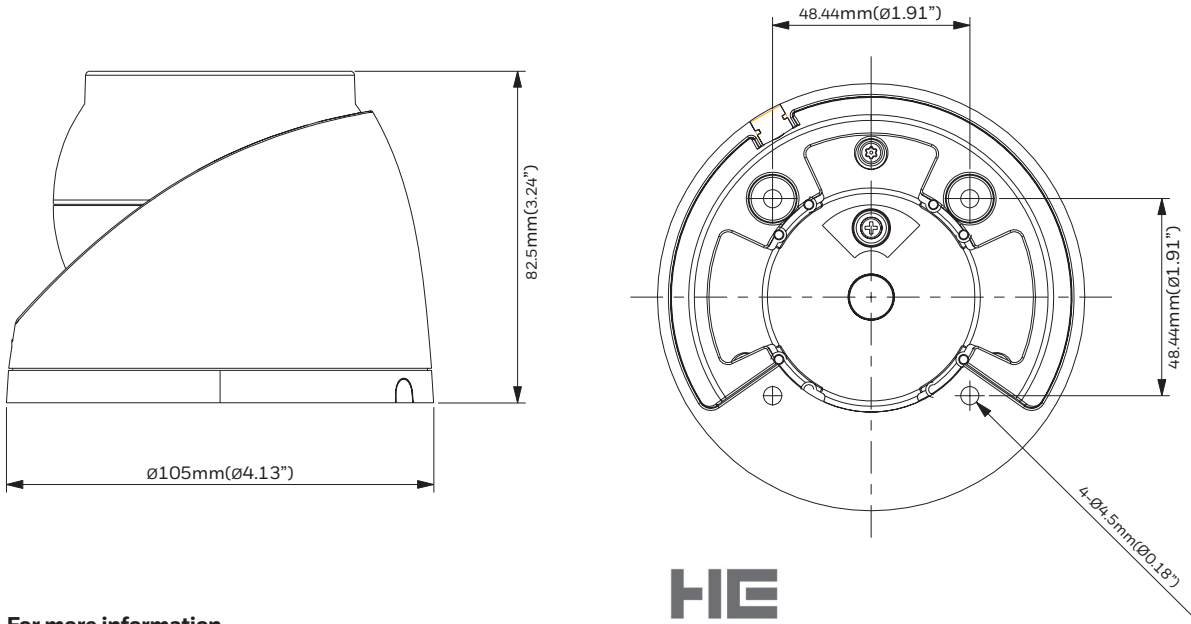
* Refer to the NVR Integration Matrix for more information

MOUNTS AND ACCESSORIES	
HA30PMC01	Pendant mount cap
HA30PMB01	Pendant mount base
HA30PME01	200mm pendant mounting pipe
HA30PME02	400mm pendant mounting pipe
HA30WLM01	Wall mount
HA30PLM01	Pole mount
HA30CNM01	Corner mount
HA60JCBH1	Junction box

Accessories beginning with HA60 listed here will work with select models of 30 Series and 60 Series cameras

ORDERING	
HC30WE2R3	2MP Network Ball Camera, TDN, WDR, 1/2.9" CMOS, 2.8mm, 2 IR LEDs, H.265, PoE, IP66/IK10, NDAA Compliant
HC30WE5R3	5MP Network Ball Camera, TDN, WDR, 1/2.7" CMOS, 2.8mm, 2 IR LEDs, H.265, PoE, IP66/IK10, NDAA Compliant

DIMENSIONS



For more information
buildings.honeywell.com/security

Honeywell Commercial Security
 715 Peachtree St. NE
 Atlanta, GA 30308
 1.800.323.4576
www.honeywell.com



HEVC Advance™

ONVIF and the ONVIF logo are trademarks of ONVIF Inc.
 HEVC Advance logo is a trademark of HEVC Advance
 Honeywell reserves the right, without notification, to make changes in product design or specifications.

HSV-HC30WEXR3-04-US(0422)DS-Z
 © 2022 Honeywell International Inc.

**THE
 FUTURE
 IS
 WHAT
 WE
 MAKE IT**

Honeywell