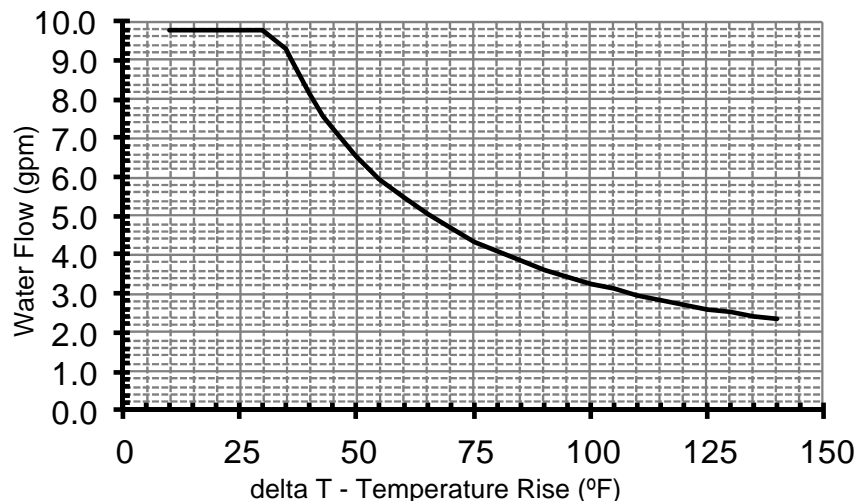


Type of Appliance	<ul style="list-style-type: none"> • Temperature controlled, continuous flow, gas hot water system • Certified for installation in manufactured (mobile) homes • Forced combustion • Energy Star qualified
Rinnai Model Number	REU-VC2837WD-US
Minimum/Maximum Gas Rate (Input)	10,300 - 199,000 BTU/h
Electrical	Appliance: AC 120 Volts - 60 Hz Controller: DC 12 Volts
Electrical Consumption	Normal: 65 w Standby: 2 w Anti-frost protection: 104 w
Ignition System	Direct electronic ignition
Hot Water Capacity	Minimum flow rate: 0.26 GPM Minimum activation flow rate: 0.4 GPM Maximum flow rate: 9.8 GPM
Temperature	98° - 120° F (factory default) Maximum temperature is selectable at 120° F or at 140° F; 98° - 185° F available with the MCC-91-2 controller for commercial and hydronic applications
Temperature (without remote)	120° F (factory default) or 140° F
Installation	Outdoor only
Energy Factor	Natural Gas: 0.82 Propane: 0.82
Service Connections	Gas supply: 3/4 inch MNPT Cold water inlet: 3/4 inch MNPT Hot water outlet: 3/4 inch MNPT
Isolation & Pressure Relief Valves Included	Heavy duty forged brass Webstone Isolator valves EXP E2, certified to NSF/ANSI 61-8 for potable water
Water Flow Control	Water flow sensor, electronic water control device and by-pass
Minimum/Maximum Water Supply Pressure	20 - 150 PSI (recommended 30-80 PSI for maximum performance)

Rinnai is continually updating and improving products; therefore, specifications are subject to change without prior notice. Local, state, provincial and federal codes must be adhered to prior to installation.

FLOW TABLE



Water Temperature Control

Controller

Simulation feed forward and feedback

MC-91-2US (included)
 Deluxe controller: MC-100V-1US (optional)
 Bathroom controller: BC-100V-1US (optional)
 MCC-91-2US (optional; for hydronic and commercial applications)

Controller Cable

Non-polarized two-core cable, minimum 22 AWG

Safety Devices

- Flame failure - Flame Rod
- Boiling protection
- Combustion fan rpm check
- Over current - glass fuse
- Remaining flame (OHS)
- Thermal fuse
- Automatic frost protection

Clearances from Combustibles

- Top of heater - 12 inches
- Front (Panel) - 24 inches
- Front (Exhaust) - 24 inches
- Back of heater - 0 inches
- Ground / bottom - 12 inches
- Sides of heater - 6 inches

Clearances from Non-combustibles

* 24 inches required for serviceability

- Top of heater - 2 inches
- Front (Panel) - 0 inches *
- Front (Exhaust) - 24 inches
- Back of heater - 0 inches
- Ground / bottom - 2 inches
- Sides of heater - 1/8 inch

Min. / Max. Gas Supply Pressure

Natural Gas: min 5" W.C. max 10.5" W.C.
 Propane Gas: min 8" W.C. max 13.5" W.C.

Manifold Gas Pressure (inches W.C.) (sea level)

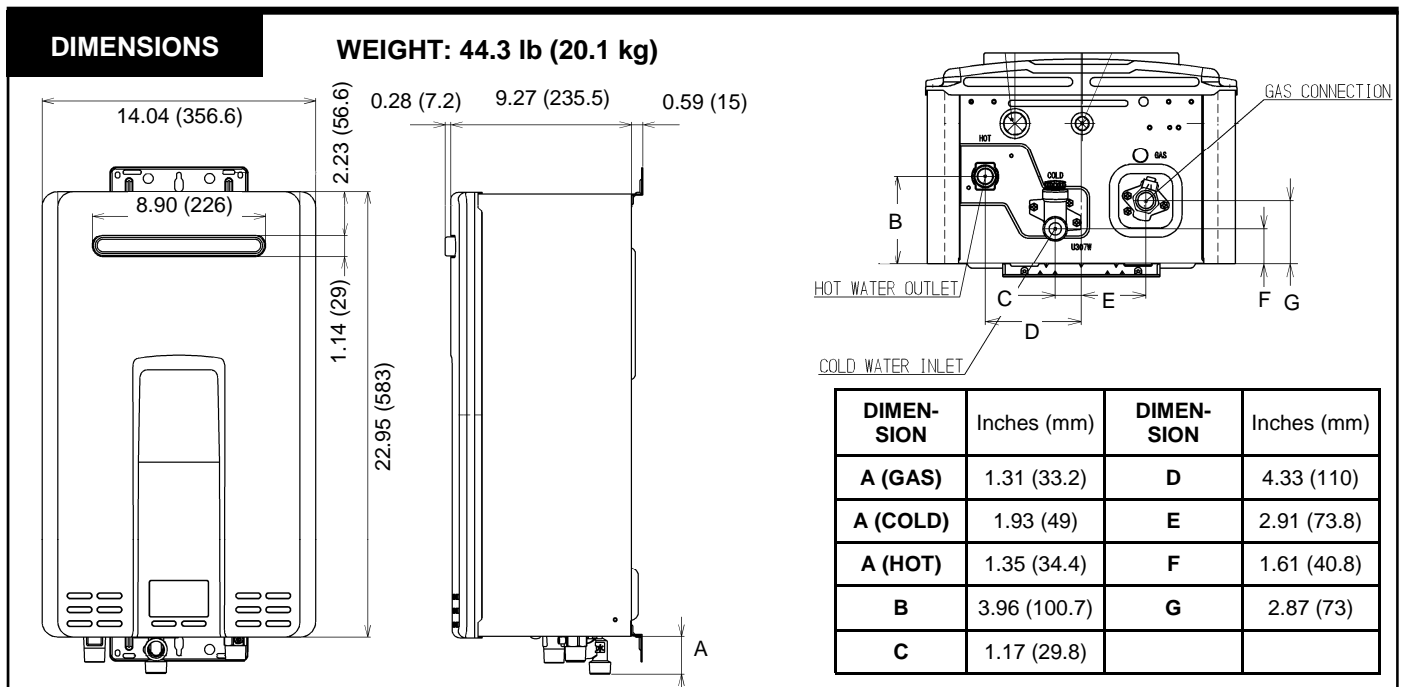
Natural Gas: high fire 2.7" W.C. low fire 0.61" W.C.
 Propane Gas: high fire 4.5" W.C. low fire 0.93" W.C.

NOx

Complies with South Coast Air Quality Management District 14 ng/J or 20 ppm NOx emission levels

Limited Warranty

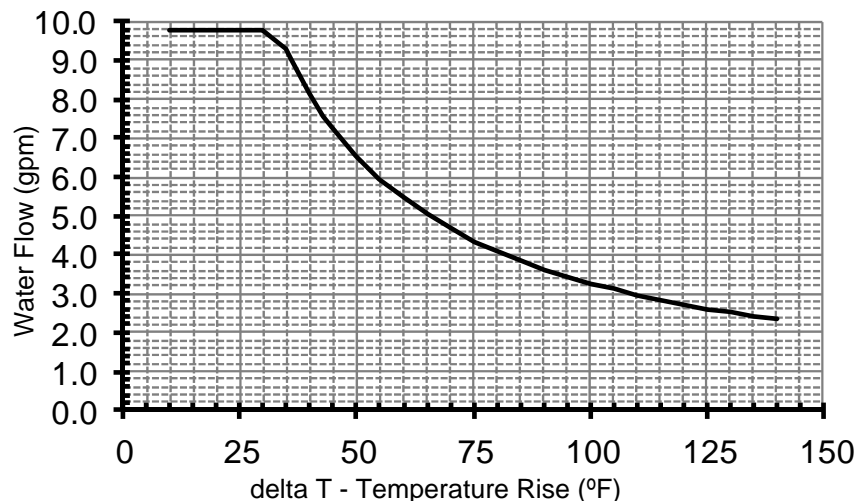
Heat exchanger: 12 years* for residential, 10 years for residential and space heating, and 5 years* for commercial; All other parts: 5 years*; Labor: 1 year;
 (* 3 years if used as a circulating water heater within a circulation loop, when the water heater is in series with a circulation system and all circulating water flows through the water heater, and where an on-demand recirculation system is not incorporated.)
 Refer to the manual for complete warranty information.



Type of Appliance	<ul style="list-style-type: none"> • Temperature controlled, continuous flow, gas hot water system • Certified for installation in manufactured (mobile) homes • Forced combustion / Direct vent • Energy Star qualified
Rinnai Model Number	REU-VC2837FFUD-US
Minimum/Maximum Gas Rate (Input)	10,300 - 199,000 BTU/h
Electrical	Appliance: AC 120 Volts - 60 Hz Controller: DC 12 Volts
Electrical Consumption	Normal: 97 w Standby: 2 w Anti-frost protection: 120 w
Ignition System	Direct electronic ignition
Hot Water Capacity	Minimum flow rate: 0.26 GPM Minimum activation flow rate: 0.4 GPM Maximum flow rate: 9.8 GPM
Temperature	98° - 120° F (factory default) Maximum temperature is selectable at 120° F or at 140° F; 98° - 185° F available with the MCC-91-2 controller for commercial and hydronic applications
Temperature (without remote)	120° F (factory default) or 140° F
Installation	Indoor only
Energy Factor	Natural Gas: 0.82 Propane: 0.82
Service Connections	Gas supply: 3/4 inch MNPT Cold water inlet: 3/4 inch MNPT Hot water outlet: 3/4 inch MNPT
Isolation & Pressure Relief Valves Included	Heavy duty forged brass Webstone Isolator valves EXP E2, certified to NSF/ANSI 61-8 for potable water
Water Flow Control	Water flow sensor, electronic water control device and by-pass
Minimum/Maximum Water Supply Pressure	20 - 150 PSI (recommended 30-80 PSI for maximum performance)

Rinnai is continually updating and improving products; therefore, specifications are subject to change without prior notice. Local, state, provincial and federal codes must be adhered to prior to installation.

FLOW TABLE



Water Temperature Control

Controller

Simulation feed forward and feedback

MC-91-2US (part of the front panel)

Deluxe controller: MC-100V-1US (optional)

Bathroom controller: BC-100V-1US (optional)

MCC-91-2US (optional; for hydronic and commercial applications)

Controller Cable

Non-polarized two-core cable, minimum 22 AWG

Safety Devices

- Flame failure - Flame Rod
- Boiling protection
- Combustion fan rpm check
- Over current - glass fuse
- Remaining flame (OHS)
- Thermal fuse
- Automatic frost protection

Clearances from Combustibles (suitable for closet, attic, and crawl space installations)

- Top of heater - 6 inches
- Front of heater - 6 inches
- Sides of heater - 2 inches
- Back of heater - 0 inches
- Ground / bottom - 12 inches
- From vent pipe - 0 inches

Clearances from Non-combustibles

- Top of heater - 2 inches
- Front of heater - 6 inches
- Sides of heater - 1/2 inch
- Back of heater - 0 inches
- Ground / bottom - 12 inches
- From vent pipe - 0 inches

Min. / Max. Gas Supply Pressure (sea level)

Natural Gas: min 5" W.C. max 10.5" W.C.
Propane Gas: min 8" W.C. max 13.5" W.C.

Manifold Gas Pressure (inches W.C.)

Natural Gas: high fire 3.0" W.C. low fire 0.61" W.C.
Propane Gas: high fire 4.8" W.C. low fire 0.87" W.C.

NOx

Complies with South Coast Air Quality Management District 40 ng/J or 55 ppm NOx emission levels

Limited Warranty

Heat exchanger: 12 years* for residential, 10 years for residential and space heating, and 5 years* for commercial; All other parts: 5 years*; Labor: 1 year;

(* 3 years if used as a circulating water heater within a circulation loop, when the water heater is in series with a circulation system and all circulating water flows through the water heater, and where an on-demand recirculation system is not incorporated.)

Refer to the manual for complete warranty information.

