



HEAVY-DUTY HOLE-HAWG® DRILL

1675-6



1676-6



1670-1

• CAN POWER UP TO 2-9/16" SELF-FEED BIT



FUNCTIONAL DESIGN: PUTS FORCE IN LINE WITH CHUCK

- Power And Torque, Reversing, Compact Design For Drilling Between Studs And Joists
- 2-Position Pipe Handle
- 3-Position Spade Handle
- 2-Speed Gear Shift (Models 1675-6 and 1676-6)
- External Brush Caps
- Heat Treated Cut Steel Gears
- All Ball And Roller Bearings
- Weighs Only 11-1/2 lbs

EXCLUSIVE 1675-6 AND 1676-6 FEATURE

- Can Power Up To 4-5/8" Selffeed Bit In Low Speed And Drill Up To 1-3/8" Selffeed Bit In High Speed

ACCESSORIES

IMPACT RESISTANT CARRYING CASE

48-55-0111 For use with 1670-1 and 1675-6 (When ordered separately)

TYPE "E" GREASE

49-08-4122 1 lb. can

QUICK CHANGE CHUCK

Converts your 3 jaw chuck into a quick change chuck. Allows rapid, keyless insertion and removal of 7/16" hex drive accessories.

48-03-0006 1/2" 7/16" Quick drive shank

SPECIFICATIONS

CATALOG NUMBER	CAPACITY IN STEEL (INCHES)	VOLTS AC ONLY	AMPS	NO LOAD RPM	GEAR TRAIN	SPINDLE DIAMETER*	REPLACEMENT CHUCK CATALOG NO. (CHUCK KEY INCLUDED)	REPLACEMENT CHUCK KEY CATALOG NO.	LENGTH (INCHES)	NET WGT. LBS.	SHIP. WGT. LBS.
1675-6	1/2	120	7.5	300/1200	TRIPLE	5/8" ROUND	48-66-1481	48-66-3280	6-1/2	11.5	15.0
1676-6	1/2	120	7.5	300/1200	TRIPLE	5/8" ROUND	48-66-1481	48-66-3280	6-1/2	11.5	21.0
1670-1	1/2	120	7.5	900	TRIPLE	5/8" ROUND	48-66-1481	48-66-3280	6-1/2	11.5	14.0

STANDARD EQUIPMENT FOR 1676-6 – Chuck 48-66-1481, Chuck Key 48-66-3280, Flexible key Holder 48-66-4040 and Impact Resistant Carrying Case 48-55-0111.

*Includes Drive Key

2-WIRE QUIK-LOK CORD SETS FOR DOUBLE INSULATED TOOLS

Cat. No.	Description	NEMA Plug Type
48-76-5010	2-Wire 10' Quik-Lok	1-15P
48-76-5025	2-Wire 25' Quik-Lok	1-15P

3-WIRE QUIK-LOK CORD SETS

Cat. No.	Description	NEMA Plug Type
48-76-4008	3-Wire 8' Quik-Lok	5-15P
48-76-4025	3-Wire 25' Quik-Lok	5-15P

3-WIRE QUIK-LOK CORD SETS WITH TWIST LOCK PLUG

Cat. No.	Description	NEMA Plug Type
48-76-4108	3-Wire 8' Quik-Lok W/Twist Lock Plug	L5-20P
48-76-4125	3-Wire 25' Quik-Lok W/Twist Lock Plug	L5-20P

QUIK-LOK® CORDS

2-WIRE AND 3-WIRE QUIK-LOK CORD SETS

- Premium Grade Hi-Flex Wire And Insulating System
- Quick Detachment From Tool For Tangle Free Carrying And Storage
- Instant Field Repair
- Quik-Lok With Twist Lock Plug Cord Sets Also Available



Recommended Minimum Wire Gauge For Extension Cords*

Nameplate Amperes	Extension Cord Length					
	25'	50'	75'	100'	150'	200'
0-5.0	16	16	16	14	12	12
5.1-8.0	16	16	14	12	10	-
8.1-12.0	14	14	12	10	-	-
12.1-15.0	12	12	10	10	-	-
15.1-20.0	10	10	10	-	-	-

* Based on limiting the line voltage drop to five volts at 150% of the rated amperes.



HEAVY-DUTY 13.0 AMP ORBITAL SUPER SAWZALL® KIT WITH ROTATING HANDLE

**360°
ROTATING
HANDLE!**

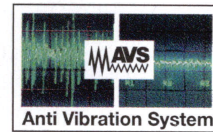


6523-21



**HIGH POWERED 13 AMP
MILWAUKEE BUILT MOTOR**

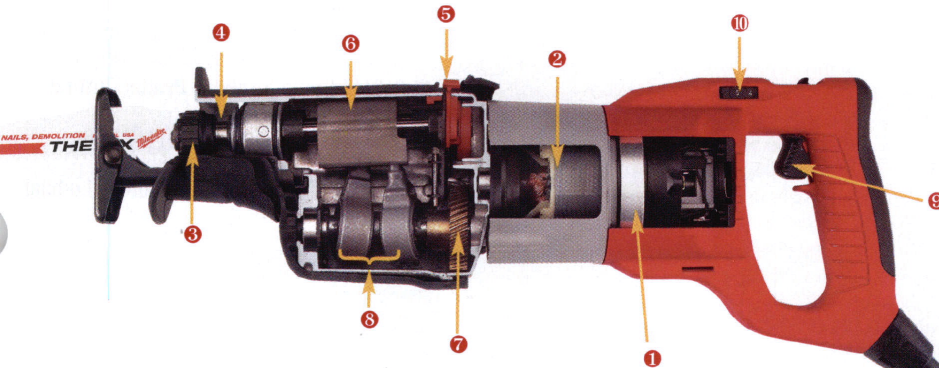
- **360° Rotating Handle 1**
Locks at 45° increments, can continuously rotate without going back to starting position, trigger can stay on while rotating, provides optimal user comfort in various cutting applications, life tested to 20,000 cycles (revolutions)
- **High Powered 13 Amp Milwaukee Built Motor 2**
- **New Quik-Lok™ Blade Clamp 3**
Larger, heavy-duty, with new gripping ribs, provides fast and easy blade changes
- **1-1/4" Blade Stroke & Orbital Cutting Mechanism 4**
For fastest cutting in thick materials
- **9-Position Orbit Selector* 5**
Allows the user to set the degree of orbital versus straight reciprocating action



- **Counter Balanced* 6**
For reduced vibration and smoother operation



- **Gear Protecting Clutch* 7**
Unique gear clutch absorbs high impact forces caused by sudden blade lock-ups. Extends life of tool in extreme cutting applications.
- **Heavy-Duty Double Bearing Wobble Plate Mechanism***
For extra long life 8
- **Variable Speed Trigger, 0-3000 SPM -**
Best control of cut 9
- **Dial Speed Selector Switch* 10**
Matches the correct speed with application for improved control
- **Cushion Grip Handle**
For comfortable superior gripping
- **Rubber Boot For Superior Gripping and Operator Comfort**
- **Keyless Adjustable Shoe**
Adjusts shoe without use of tools. Allows more efficient use of blade and depth-of-cut control. Extends blade life, saves time.
- **Pivot Shoe* For Maximum Support Against Work Surface**
- **Quik-Lok® Cord**
Instant field repair and safe replacement. Tool comes with 2-wire, 10'-16 gauge construction cord No. 48-76-5010. A 25' cord No. 48-76-5025 is also available.



Easily Accessible Dial Speed Selector
Switch matches the correct speed with application for improved control.



Rotating Handle Adjustment Lever



Orbital Action Selector*
Allows the user to set the degree of orbital action.

SPECIFICATIONS

CATALOG NUMBER	VOLTS AC ONLY	AMPS	STROKES PER MINUTE (NO LOAD)	STEEL QUIK-LOK BLADE CLAMP	IMPACT PROTECTION	LENGTH OF STROKE	OVERALL LENGTH	NET WGT. LBS.	SHIP. WGT. LBS.
6523-21	120	13.0	0-3000	YES	YES	1-1/4"	19"	10.0 §	15.0

STANDARD EQUIPMENT: FOR 6523-21 –Two Super Sawzall Blades, 10' 2-wire Quik-Lok® cord 48-76-5010 and impact resistant carrying case 48-55-2055.

§ Tool only without Quik-Lok™ cord

ACCESSORIES

IMPACT RESISTANT CARRYING CASE

48-55-2055 Heavy-duty blow-molded polyethylene construction. Heavy-duty all-metal latches and pinned hinges. Convenient on-board accessory storage.



ORBITAL PIPE CLAMP SYSTEM

49-22-1016 For use with Model No. 6523-21, 6536-21, 6520-21, 6519-22 & 0719-22. Pipe Clamp System for precise, fast, and easy pipe cutting applications up to 6" diameter. Includes shoe post 45-16-0604.

2-WIRE QUIK-LOK® CORD SETS

48-76-5010 10' Quik-Lok. For use with 6523-21.
48-76-5025 25' Quik-Lok. For use with 6523-21.

*Patented