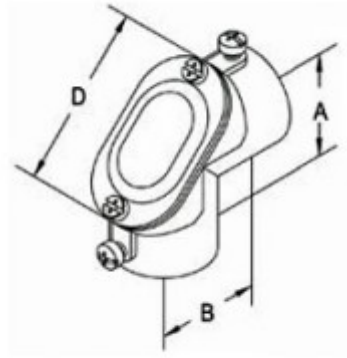


Aluminum 3/4" Set Screw Coupling Pull Elbows

Used for connecting threaded rigid to rigid or EMT to EMT to form 90 Degree bend. Removable aluminum cover and neoprene gasket facilitate wire pulling. Raintight when used with Rigid conduit.

[Download Photo](#)[Download Drawing](#)

Product details

Catalog Number:	82-DCA
UPC Number:	78174708082
Primary Materials:	Aluminum
Trade Size:	3/4"
Unit Quantity:	5
Standard Package Quantity:	50

Dimensions

Trade Size:	3/4"
Dimensions A:	1.43
Dimensions B:	1.43
Dimensions D:	2.13

Certifications & Codes

Federal Specification Number: A-A-50552**UL File Number:** E9391**UNSPSC:** 39131717**Nema Standard:** FB-1**UL Standard:** UL-514B