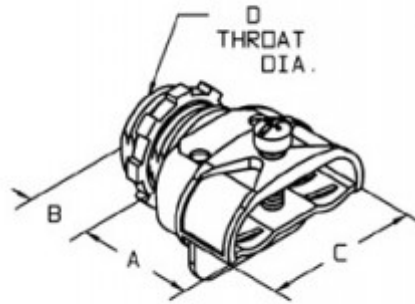


Connector, Duplex, Strap, Zinc Die Cast, Size K.O. 3/4 Inch

Recommended cable types: For use with Steel and Aluminum AC/MC/HCFMCP (HCFMCIA)/MCAP (MCIA) .44" OD - .70" OD (14/4 - 8/3), 3/8" AL FMC, 1/2" ST RWFMC (reduced wall FMC)

[Download Photo](#)[Download Drawing](#)

Product details

Catalog Number:	621-DC2
UPC Number:	78174715621
Primary Materials:	Zinc Die Cast
Finish:	Ball Burnished, Mirror Smooth
Trade Size:	3/4"
Unit Quantity:	25
Standard Package Quantity:	100

Dimensions

Trade Size:	3/4"
Dimensions A:	1.43
Dimensions B:	0.5
Dimensions C:	1.925
Dimensions D:	0.81

Certifications & Codes

Federal Specification Number: A-A-50552

UL File Number: E20534

UNSPSC: 39121419

UL Standard: Listed ETL Conforms to UL STD 514B Certified to CAN/CSA STD. C22.2 No. 18.3