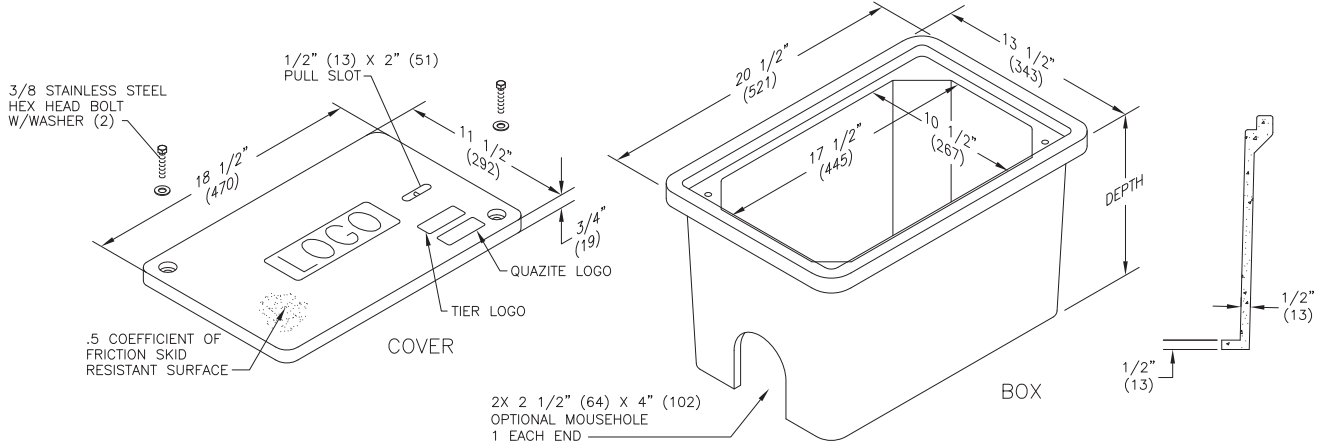


Dimensions / Data

11" x 18" PC Style Polymer Concrete (Stackable) Assembly

Hex Head Bolts are Standard



Covers

	DESCRIPTION	TIER	DESIGN / TEST LOAD #	WEIGHT #	PALLET QTY	PART NO.
UL	W/ 2 Bolts	8	8,000 / 12,000	13	40	PC1118CA00**
UL	Gasketed W/ 4 Bolts	8	8,000 / 12,000	13	40	PC1118CG00**
UL	No Bolts	8	8,000 / 12,000	13	40	PC1118WA00**

Replace ** with a logo code found on page 18.

NOTE: Gasketed covers and bolt grommets must be used with a gasketed box. Gaskets reduce the inflow of fluids but do not make the enclosure water tight.

Boxes

	DESCRIPTION	DEPTH	TIER	DESIGN / TEST LOAD #	WEIGHT #	PALLET QTY	PART NO.
UL	Std. Open Bottom	12"	15	15,000 / 22,500	37	24	PC1118BA12
UL		18"		15,000 / 22,500	53	30	PC1118BA18
UL	Solid Bottom	12 1/2"	15	15,000 / 22,500	45	24	PC1118DA12
UL		18 1/2"		15,000 / 22,500	60	30	PC1118DA18
UL	Footed Box	12 1/2"	15	15,000 / 22,500	37	24	PC1118JA12
UL		18 1/2"		15,000 / 22,500	56	30	PC1118JA18

To order boxes with 2 standard mouseholes, replace the letter "A" with the letter "B".

To order gasketed boxes, replace the letter "A" with the letter "G".

NOTE: Gasketed covers and bolt grommets must be used with a gasketed box. Gaskets reduce the inflow of fluids but do not make the enclosure water tight.