

WhisperLine™ | Remote Mount, In-line Spot Ventilation Solution

| | | |
|------------------|---------|---------|
| FV-10NLF1 | 120 CFM | 4" Duct |
| FV-20NLF1 | 240 CFM | 6" Duct |
| FV-30NLF1 | 340 CFM | 6" Duct |
| FV-40NLF1 | 440 CFM | 8" Duct |



WhisperLine Key Benefits:

- Remote mount in-line fan for single or multiple inlets
- Insulated housing to prevent condensation and noise
- Tapered duct adapter for easy connection
- 5 positions for installation
- Joist or truss attachment brackets included
- Suspension brackets included
- Can be used to comply with ASHRAE 62.2, LEED, IAP, California Title 24 and WA Ventilation Code

| WhisperLine Characteristics | FV-10NLF1 | | | FV-20NLF1 | | | FV-30NLF1 | | | FV-40NLF1 | | |
|--------------------------------|-----------|------|------|-----------|------|------|-----------|------|------|-----------|-----|-----|
| Static pressure in inches w.g. | 0.2 | 0.3 | 0.4 | 0.2 | 0.3 | 0.4 | 0.2 | 0.3 | 0.4 | 0.2 | 0.3 | 0.4 |
| Air Volume (CFM) | 120 | 105 | 82 | 240 | 225 | 200 | 340 | 322 | 302 | 440 | 421 | 407 |
| Power Consumption (Watts) | 36.2 | 35.0 | 33.5 | 55.5 | 53.5 | 51.1 | 95.2 | 93.5 | 91.5 | 136 | 132 | 130 |
| Energy Efficiency (CFMs/Watt) | 3.5 | | | 4.1 | | | 3.2 | | | 3.2 | | |
| Speed | 1590 | | | 1260 | | | 1337 | | | 1150 | | |
| Current | 0.31 | | | 0.46 | | | 0.86 | | | 1.10 | | |
| Power Rating (V/Hz) | 120/60 | | | 120/60 | | | 120/60 | | | 120/60 | | |

| WhisperLine Installation Kits | | | | | |
|-------------------------------|-------------------------------|--------------|------------------|-------|---------------|
| Model No. | Description | Inlet Grille | Backdraft Damper | Clamp | Y-Adapter |
| FV-NLF04G | 4" Inlet Grille + Metal Plate | 1 (4") | - | - | - |
| FV-NLF06G | 6" Inlet Grille + Metal Plate | 1 (6") | - | - | - |
| PC-NLF04S | 4" Single Inlet Kit | 1 (4") | 1 (4") | 6 | - |
| PC-NLF06S | 6" Single Inlet Kit | 1 (6") | 1 (6") | 6 | - |
| PC-NLF04D | 4" Double Inlet Kit | 2 (4") | 2 (4") | 12 | 1 (4"- 4"x 2) |
| PC-NLF06D | 6" Double Inlet Kit | 2 (6") | 2 (6") | 12 | 1 (6"- 6"x 2) |
| PC-NLF64D | 6"-4" Double Inlet Kit | 2 (4") | 2 (4") | 12 | 1 (6"- 4"x 2) |
| PC-NLF86Y | 8"-6" Y-Adapter | - | - | - | 1 (8"- 6"x 2) |



Recommended Zones Map for WhisperComfort ERV [See page 36-37 for product details]



Cross Reference for Applicable WhisperControl & EcoSwitch to Panasonic Fans

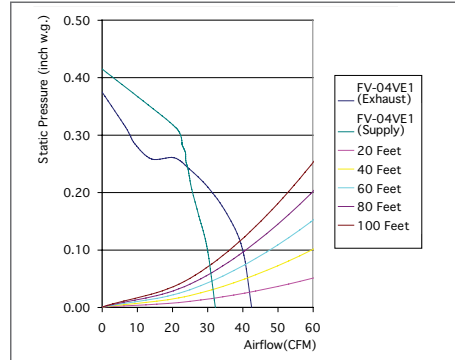
| | Model | FV-WCCS1-W/A | FV-WCCS2-W/A | FV-WCD01-W/A | FV-WCD02-W/A | FV-WCSW11-W/A | FV-WCSW21-W/A | FV-WCSW31-W/A | FV-WCSW41-W |
|-------------------------------|---------------|----------------------------|----------------------------------|--------------------------|--------------------------|--------------------|--------------------|--------------------|--------------------|
| | Switch Type | Condensation Sensor On/Off | Condensation Sensor On/Off/Light | Countdown & Hourly Timer | Countdown & Hourly Timer | 1 Function Control | 2 Function Control | 3 Function Control | 4 Function Control |
| WhisperGreen Select | FV-05-11VK1 | X | | X | | X | | | |
| | FV-11-15VK1 | X | | X | | X | | | |
| | FV-05-11VKS1 | X | | X | | X | | | |
| | FV-05-11VKL1 | | X | | X | | X | | |
| | FV-11-15VKL1 | | X | | X | | X | | |
| | FV-05-11VKSL1 | | | | X | | X** | | |
| WhisperRecessed/ Recessed LED | FV-08VRL1 | | X | | | | X | | |
| | FV-08VRE1 | | X | | | | X | | |
| WhisperCeiling | FV-05VQ5 | X | | X | | X | | | |
| | FV-08VQ5 | X | | X | | X | | | |
| | FV-11VQ5 | X | | X | | X | | | |
| | FV-15VQ5 | X | | X | | X | | | |
| | FV-20VQ3 | X | | X | | X | | | |
| | FV-30VQ3 | X | | X | | X | | | |
| | FV-40VQ3 | X | | X | | X | | | |
| | FV-08VQL6 | | X | | X | | X | X | |
| | FV-11VQL6 | | X | | X | | X | X | |
| | FV-15VQL6 | | X | | X | | X | X | |
| WhisperSense Lite | FV-08VQL6 | | | | X | | X** | | |
| | FV-11VQL6 | | | | X | | X** | | |
| WhisperFit | FV-08VF2 | X | | X | | X | | | |
| | FV-11VF2 | X | | X | | X | | | |
| | FV-05VFL4 | | X | | X | | X | X | |
| | FV-08VFL4 | | X | | X | | X | X | |
| | FV-11VFL4 | | X | | X | | X | X | |
| WhisperValue | FV-05VS3 | X | | X | | X | | | |
| | FV-08VS3 | X | | X | | X | | | |
| | FV-10VS3 | X | | X | | X | | | |
| | FV-08VSL3 | | X | | X | | X | X | |
| | FV-10VSL3 | | X | | X | | X | X | |
| EcoVent | FV-07VBA1 | X | | X | | X | | | |
| | FV-07VBB1 | X | | X | | X | | | |
| WhisperSupply Wall | FV-01WS2 | X | | X | | X | | | |
| | FV-04WS2 | X | | X | | | | | |
| WhisperWall | FV-08WQ1 | X | | X | | X | | | |
| | FV-11VH2* | | | X* | | X* | | | |
| WhisperWarm | FV-11VHL2* | | | X* | X | | | | X* |
| | FV-10NLF1 | X | | X | | X | | | |
| WhisperLine | FV-20NLF1 | X | | X | | X | | | |
| | FV-30NLF1 | X | | X | | X | | | |
| | FV-40NLF1 | X | | X | | X | | | |
| WhisperComfort | FV-04VE1 | | | | | | X | | |

WhisperWelcome, WhisperSense, and WhisperGreen Select S/M models are not compatible with the above switches.
 *Needs 1 control per function; **Switch is for light and night-light only.

Specialty Fans — Performance Curves

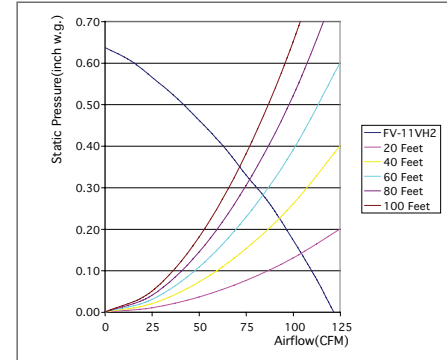
WhisperComfort™
VENTILATION FAN

FV-04VE1 40/20 CFM or 20/10 CFM 2 x 4" Ducts

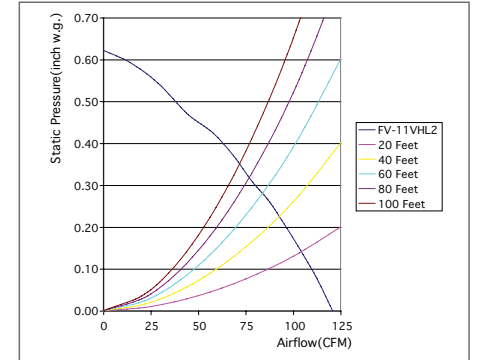


WhisperWarm™
VENTILATION FAN

FV-11VH2 110 CFM 4" Duct

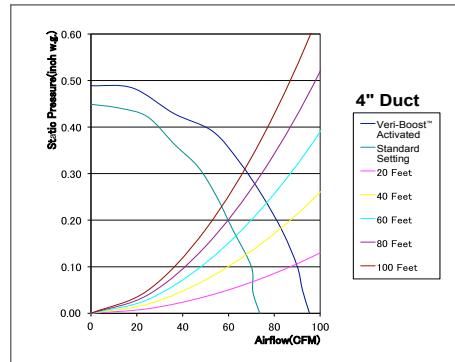


FV-11VHL2 110 CFM 4" Duct



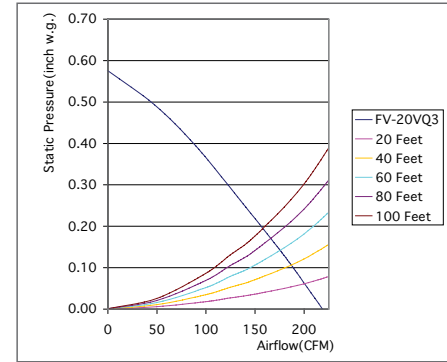
ecovent™

FV-07VBA1 + FV-07VBB1 70 CFM with Veri-Boost™ 4" Ducts

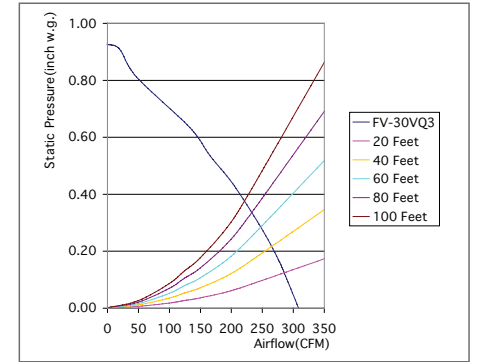


WhisperCeiling™
VENTILATION FAN

FV-20VQ3 190 CFM 6" Duct

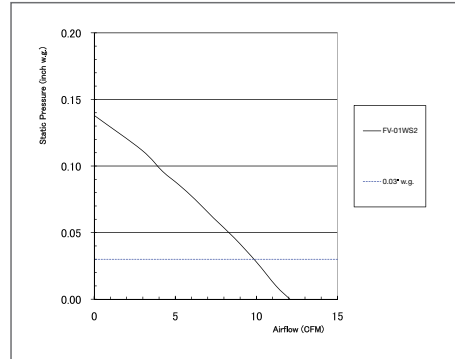


FV-30VQ3 290 CFM 6" Duct

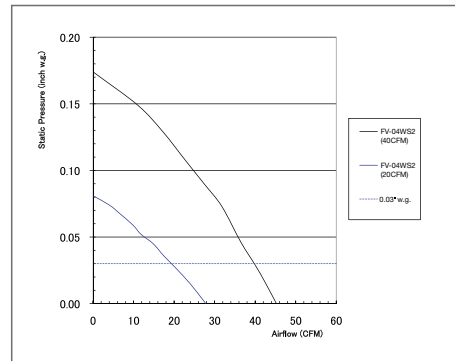


WhisperSupply Wall™
VENTILATION FAN

FV-01WS2 10 CFM 4" Duct

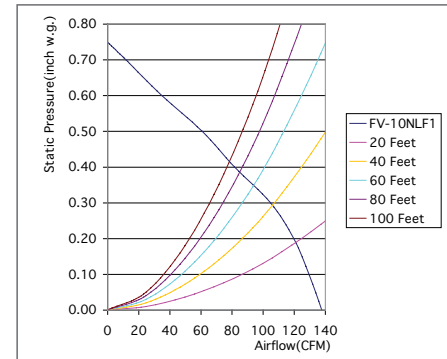


FV-04WS2 20 CFM & 40 CFM 6" Duct

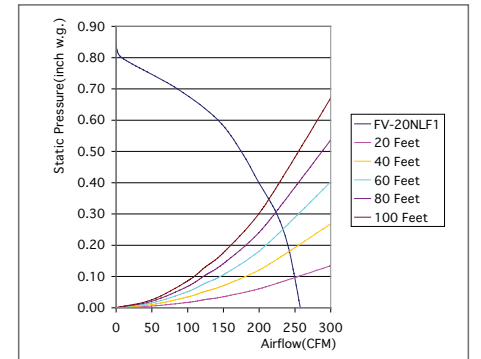


WhisperLine™
VENTILATION FAN

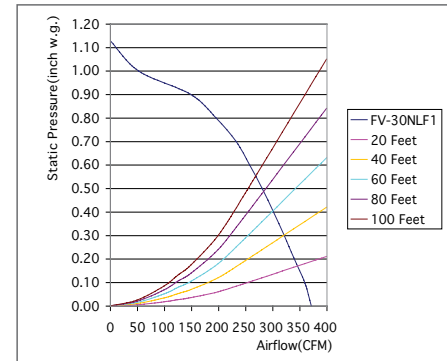
FV-10NLF1 120 CFM 4" Duct



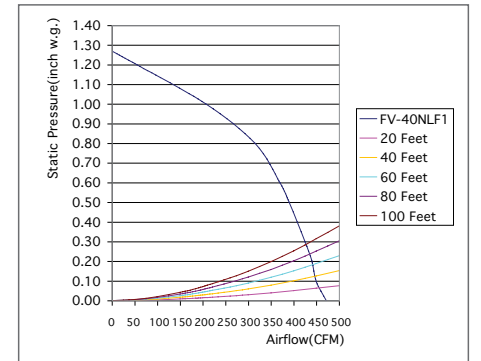
FV-20NLF1 240 CFM 6" Duct



FV-30NLF1 340 CFM 6" Duct

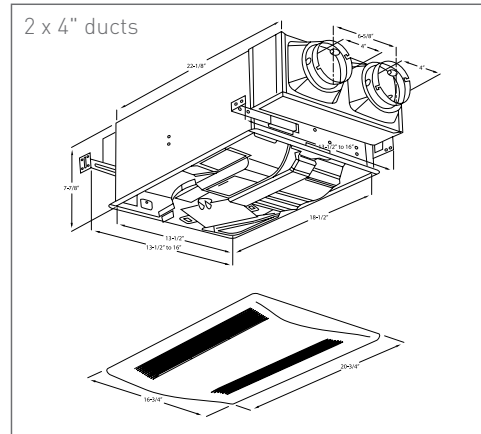


FV-40NLF1 440 CFM 8" Duct



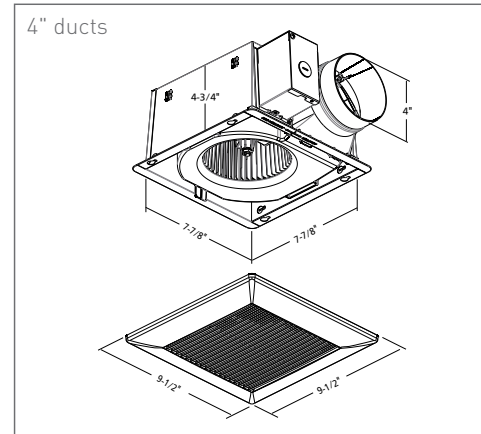
Specialty Fans — Dimensional Drawings

WhisperComfort™ VENTILATION FAN



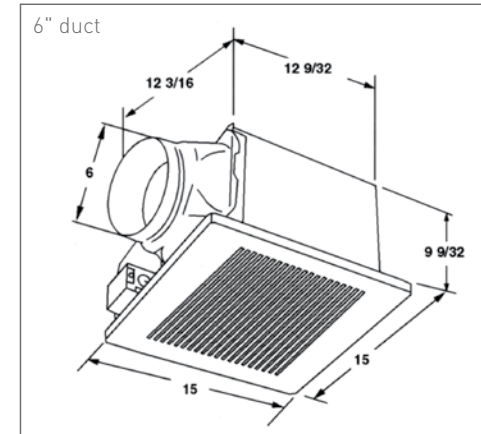
FV-04VE1

ecoVent™

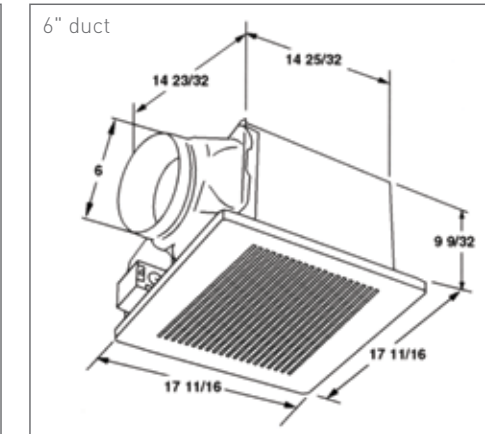


FV-07VBA1 + FV-07VBB1

WhisperCeiling™ VENTILATION FAN

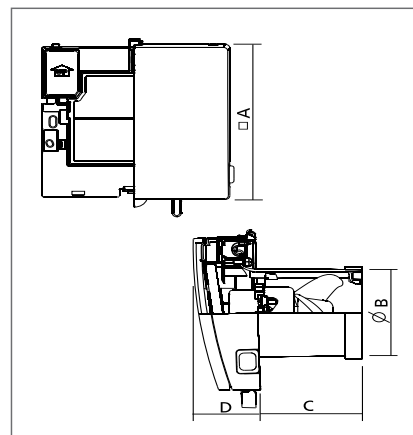


FV-20VQ3 / FV-30VQ3

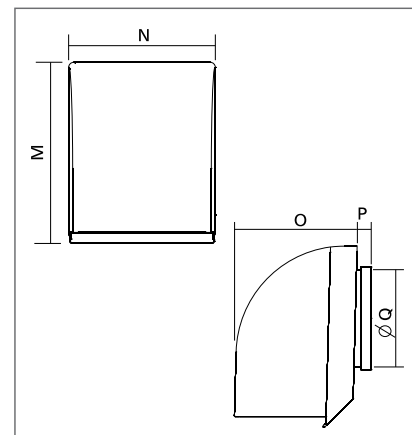
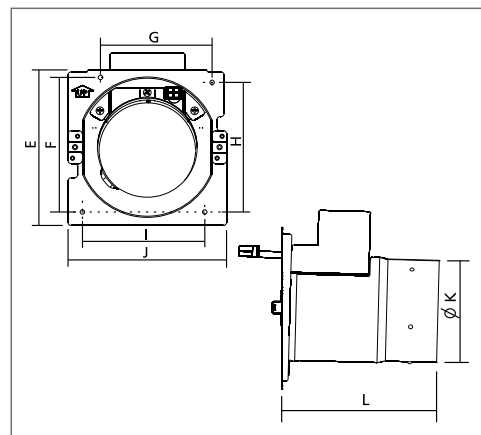


FV-40VQ4

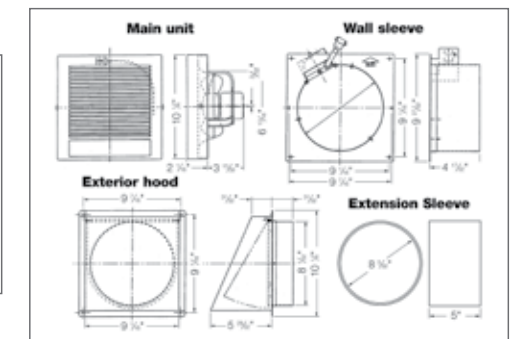
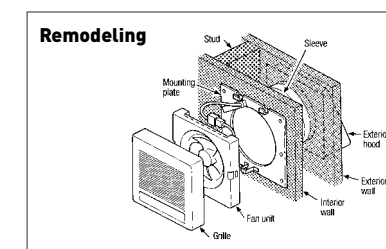
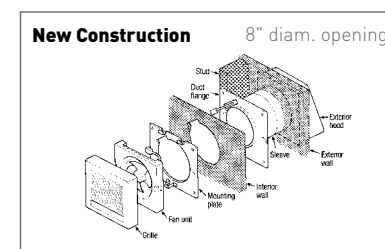
WhisperSupply Wall™ VENTILATION FAN



FV-01WS2 / FV-04WS2

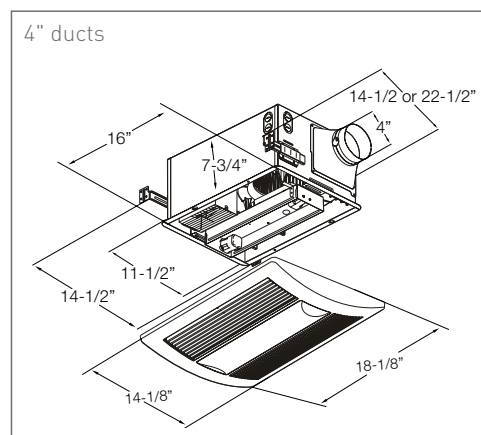


WhisperWall™ VENTILATION FAN

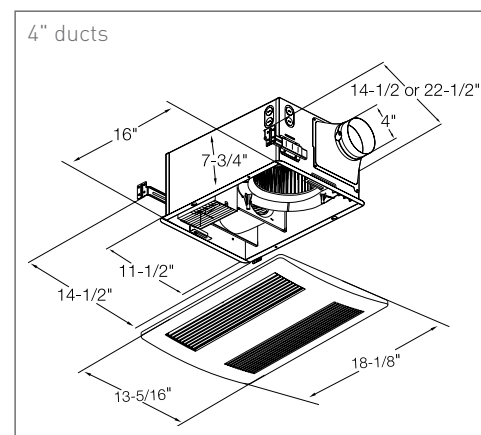


FV-08WQ1

WhisperWarm™ VENTILATION FAN

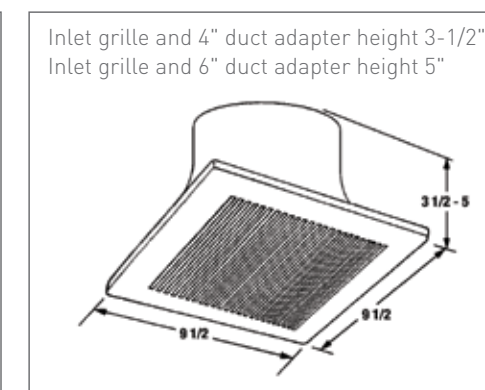
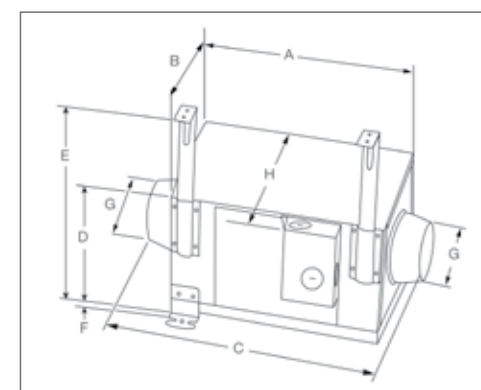


FV-11VHL2



FV-11VH2

WhisperLine™ VENTILATION FAN



Inlet grille and 4" duct adapter height 3-1/2"
Inlet grille and 6" duct adapter height 5"

WhisperLine Installation Kits

| Fan Model | A | B | C | D | E | F | G | H |
|-----------|-----------|---------|----------|---------|--------------------|-------|----|---------|
| FV-10NLF1 | 13-3/8" | 9-1/2" | 17-5/16" | 7-7/8" | 12-5/8" - 22-3/4" | 5/16" | 4" | 11" |
| FV-20NLF1 | 13-3/8" | 9-1/2" | 21-5/8" | 9-7/16" | 12-5/8" - 24-7/16" | 5/16" | 6" | 11" |
| FV-30NLF1 | 15-11/32" | 10-5/8" | 23-5/8" | 11" | 12-5/8" - 26" | 5/16" | 6" | 12-1/8" |
| FV-40NLF1 | 16-1/2" | 13-3/8" | 22" | 11" | 12-5/8" - 26" | 5/16" | 8" | 14-7/8" |