



Series 50 Industrial Control Transformers

SUFFIX -058, 50 / 60 HZ

Primary Volts 220 / 380 / 415, Secondary Volts 95 / 115

General Information			Dimensions (inches)						Primary		Secondary		
kVA Cap.	Catalog Number	Wgt. Lbs	Height A	Width B	Depth C	Mounting			Pri. Max. Amps 220V / 380V / 415	Pri. Fuse Kit	Sec. Max. Amps	Sec. Fuse Kit	115 V Fuse Size
						D	E	F					
.250	50-0250-058	11	4.81	4.50	3.75	3.38	3.75	.203 x .375	1.14 / .66 / .60	BR-734-4	2.17	GLF 1¼	2.25
.500	50-0500-058	22	6.63	5.25	4.38	4.60	4.38	.281 x .406	2.27 / 1.32 / 1.20	BR-734-6	4.35	265 B	4.5
.750	50-0750-058	23	7.38	5.75	4.25	4.38	4.94	.281 x .406	3.41 / 1.97 / 1.81	BR-734-5	6.52	265 B	7
1.0	50-1000-058	32	6.75	6.38	5.31	4.50	5.31	.312 x .625	4.55 / 2.63 / 2.41	BR-734-7	8.70	265 B	9
1.5	50-1500-058	41	6.25	7.50	6.25	4.00	6.75	.312 x .625	6.82 / 3.95 / 3.61	BR-734-8	13.04	265 B	15
2.0	50-2000-058	49	7.80	7.50	6.25	4.75	6.75	.312 x .625	9.09 / 5.26 / 4.82	BR-734-8	17.39	265 B	20
3.0	50-3000-058	75	9.88	7.50	6.25	4.62	6.75	.312 x .625	13.64 / 7.89 / 7.23	BR-734-8	26.09	265 B	30
5.0	50-5000-058	113	9.12	9.00	7.50	6.93	7.50	.437 x .750	22.73 / 13.16 / 12.05	BR-734-9	43.48	--	--

SUFFIX -059, 50 / 60 HZ

Primary Volts 208/500
220/380/440/550
230/400/460/575
240/416/480/600

Secondary Volts 85/100/110
91/110/120
95/115/125
99/120/130

General Information			Dimensions (inches)						Primary	Secondary		
kVA Cap.	Catalog Number	Wgt. Lbs	Height A	Width B	Depth C	Mounting			Pri. Fuse Kit	Sec. Max. Amps	Sec. Fuse Kit	120 V Fuse Size
						D	E	F				
.150	50-0150-059	11	4.57	5.25	4.38	2.63	4.38	.281 x .406	BR-734-6	1.25	265 B	1.25
.250	50-0250-059	15	5.25	5.25	4.38	3.38	4.38	.281 x .406	BR-734-6	2.08	265 B	2.25
.375	50-0375-059	18	6.25	5.75	4.25	3.44	4.94	.281 x .406	BR-734-5	3.13	265 B	3.2
.500	50-0500-059	22	6.68	5.75	4.25	4.38	4.94	.281 x .406	BR-734-5	4.17	265 B	4.5
.750	50-0750-059	32	6.75	6.38	5.31	4.63	5.31	.312 x .625	BR-734-7	6.25	265 B	6.25
1.0	50-1000-059	35	7.25	6.38	5.31	5.10	5.31	.312 x .625	BR-734-7	8.33	265 B	9
1.5	50-1500-059	53	8.63	7.50	6.25	5.38	6.75	.312 x .625	BR-734-8	12.5	265 B	15
2.0	50-2000-059	60	8.75	7.50	6.25	5.80	6.75	.312 x .625	BR-734-8	16.67	265 B	20
3.0	50-3000-059	74	10.25	7.50	6.25	6.88	6.75	.312 x .625	BR-734-8	25.00	265 B	25

SUFFIX -134, 50 / 60 HZ

Primary Volts 240 X 480, 230 X 460, 220 X 440,
Secondary Volts 120/240,115/230,110/220

General Information			Dimensions (inches)						Primary		Secondary		
kVA Cap.	Catalog Number	Wgt. Lbs	Height A	Width B	Depth C	Mounting			Pri. Max. Amps 240V / 480V	Pri. Fuse Kit	Sec. Max. Amps 120V / 240V	Sec. Fuse Kit	120 V Fuse Size
						D	E	F					
.050	50-0050-134	3	3.00	3.00	2.50	2.00	2.50	.203 x .375	.21 / .10	BR-734-1	.42 / .21	GLF 1¼	.5
.075	50-0075-134	3	3.38	3.00	2.50	2.50	2.50	.203 x .375	.31 / .16	BR-734-1	.63 / .31	GLF 1¼	.6
.100	50-0100-134	4	3.38	3.38	2.81	2.38	2.81	.203 x .375	.42 / .21	BR-734-2	.83 / .42	GLF 1¼	1
.150	50-0150-134	6	3.90	3.75	3.13	2.63	3.13	.203 x .375	.63 / .31	BR-734-3	1.25 / .63	GLF 1¼	1.25
.200	50-0200-134	8	4.12	4.50	3.75	2.50	3.75	.203 x .375	.83 / .42	BR-734-4	1.67 / .83	GLF 1¼	2
.250	50-0250-134	9	4.25	4.50	3.75	2.75	3.75	.203 x .375	1.04 / .52	BR-734-4	2.08 / 1.04	GLF 1¼	2.25
.300	50-0300-134	11	4.75	4.50	3.75	3.13	3.75	.203 x .375	1.25 / .63	BR-734-4	2.50 / 1.25	GLF 1¼	2.5
.375	50-0375-134	12	5.25	4.50	3.75	3.63	3.75	.203 x .375	1.56 / .78	BR-734-4	3.13 / 1.56	GLF 1¼	3.2
.500	50-0500-134	17	5.88	5.25	4.38	3.63	4.38	.281 x .562	2.08 / 1.04	BR-734-6	4.17 / 2.08	265 B	4.5
.750	50-0750-134	25	7.50	5.25	4.38	5.25	4.38	.281 x .562	3.13 / 1.56	BR-734-6	6.25 / 3.13	265 B	6.25
1.0	50-1000-134	26	7.50	5.25	4.38	5.25	4.38	.281 x .562	4.17 / 2.08	BR-734-6	8.33 / 4.17	265 B	9
1.5	50-1500-134	32	7.00	6.38	5.62	4.50	5.31	.312 x .625	6.25 / 3.13	BR-734-7	12.50 / 6.25	265 B	15
2.0	50-2000-134	38	7.62	6.38	5.62	5.00	5.31	.312 x .625	6.25 / 3.13	BR-734-7	16.67 / 8.33	265 B	20
3.0	50-3000-134	50	7.75	7.50	6.62	4.75	6.75	.312 x .625	12.50 / 6.25	BR-734-8	25.00 / 12.50	265 B	25

DONGAN ELECTRIC MANUFACTURING CO. • 2987 FRANKLIN • DETROIT, MI 48207
 800.428.2626 • 313.567.8500 • FAX 313.567.8828 • www.dongan.com

Series 50 Industrial Control Transformers

Export Series:

Features

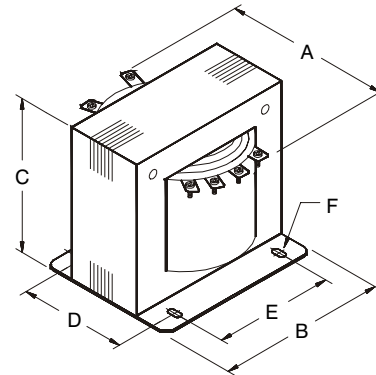
- **UL Listed, File E3210.**
- **CSA Certified, File LR 560.**
- **All copper windings.**
- **All designs are rated 50 / 60 Hertz.**
- **Rugged coil mounted screw terminals.**
- **Primary fuse blocks and secondary fuse holders** are available and are easily installed.
- **Regulation characteristics** equal or exceed the highest industry standards.
- **Transformers .750 kVA and below employ a UL Class 105°C insulation system** with 55°C temperature rise at a maximum ambient of 40°C.
- **Transformers 1.0 kVA and above are designed with a UL Class 180°C insulation system** with 115°C temperature rise at a maximum ambient of 40°C.
- **Nonstandard designs are available** by consulting the factory or your Dongan Representative.



Connection Diagrams may be found on Pg. 74

Note: Dimension C increases approximately 1 3/8" when Primary Fuse Kit BR-734-X is installed. Drawing is for dimensional purposes only. Actual terminal arrangements may vary.

Dimensions & weights may change. Consult factory for certified drawings.



Voltage Combinations:

Suffix	Primary	Secondary
-058	220/380/415	95/115
-059	208 or 500	85/100/110
	220/380/440/550	91/110/120
	230/400/460/575	95/115/125
	240/416/480/600	99/120/130

SUFFIX -053, 50 / 60 HZ

Primary Volts 240 X 480, 230 X 460, 220 X 440, Secondary Volts 120/115/110

General Information			Dimensions (inches)						Primary		Secondary		
kVA Cap.	Catalog Number	Wgt. Lbs	Height A	Width B	Depth C	Mounting			Pri. Max. Amps 240V / 480V	Pri. Fuse Kit	Sec. Max. Amps	Sec. Fuse Kit	120 V Fuse Size
						D	E	F					
.050	50-0050-053	3	3.00	3.00	2.50	2.00	2.50	.203 x .375	.21 / .10	BR-734-1	.42	GLF 1¼	.5
.075	50-0075-053	3	3.38	3.00	2.50	2.50	2.50	.203 x .375	.31 / .16	BR-734-1	.63	GLF 1¼	.6
.100	50-0100-053	4	3.38	3.38	2.81	2.38	2.81	.203 x .375	.42 / .21	BR-734-2	.83	GLF 1¼	1
.150	50-0150-053	6	3.90	3.75	3.13	2.63	3.13	.203 x .375	.63 / .31	BR-734-3	1.25	GLF 1¼	1.25
.200	50-0200-053	8	4.12	4.50	3.75	2.50	3.75	.203 x .375	.83 / .42	BR-734-4	1.67	GLF 1¼	2
.250	50-0250-053	9	4.25	4.50	3.75	2.75	3.75	.203 x .375	1.04 / .52	BR-734-4	2.08	GLF 1¼	2.25
.300	50-0300-053	11	4.75	4.50	3.75	3.13	3.75	.203 x .375	1.25 / .63	BR-734-4	2.50	GLF 1¼	2.5
.375	50-0375-053	12	5.25	4.50	3.75	3.63	3.75	.203 x .375	1.56 / .78	BR-734-4	3.13	GLF 1¼	3.2
.500	50-0500-053	17	5.88	5.25	4.38	3.63	4.38	.281 x .562	2.08 / 1.04	BR-734-6	4.17	265 B	4.5
.750	50-0750-053	25	7.50	5.25	4.38	5.25	4.38	.281 x .562	3.13 / 1.56	BR-734-6	6.25	265 B	6.25
1.0	50-1000-053	26	7.50	5.25	4.38	5.25	4.38	.281 x .562	4.17 / 2.08	BR-734-6	8.33	265 B	9
1.5	50-1500-053	32	7.00	6.38	5.62	4.50	5.31	.312 x .625	6.25 / 3.13	BR-734-7	12.50	265 B	15
2.0	50-2000-053	38	7.62	6.38	5.62	5.00	5.31	.312 x .625	6.25 / 3.13	BR-734-7	16.67	265 B	20
3.0	50-3000-053	50	7.75	7.50	6.62	4.75	6.75	.312 x .625	12.50 / 6.25	BR-734-8	25.00	265 B	25
5.0	50-5000-053	70	10.25	7.50	6.62	6.88	6.75	.312 x .625	20.83 / 10.42	BR-734-8	41.67	--	--