



www.Source1Parts.com

S1-2EE04710024 AND S1-2EE04710124 DOWNFLOW ECONOMIZERS, JCI CONTROLS (STYLE A)

HVAC SERVICE PARTS

Supersedes: Nothing

035-24621-001 Rev. A (0117)

1 of 4

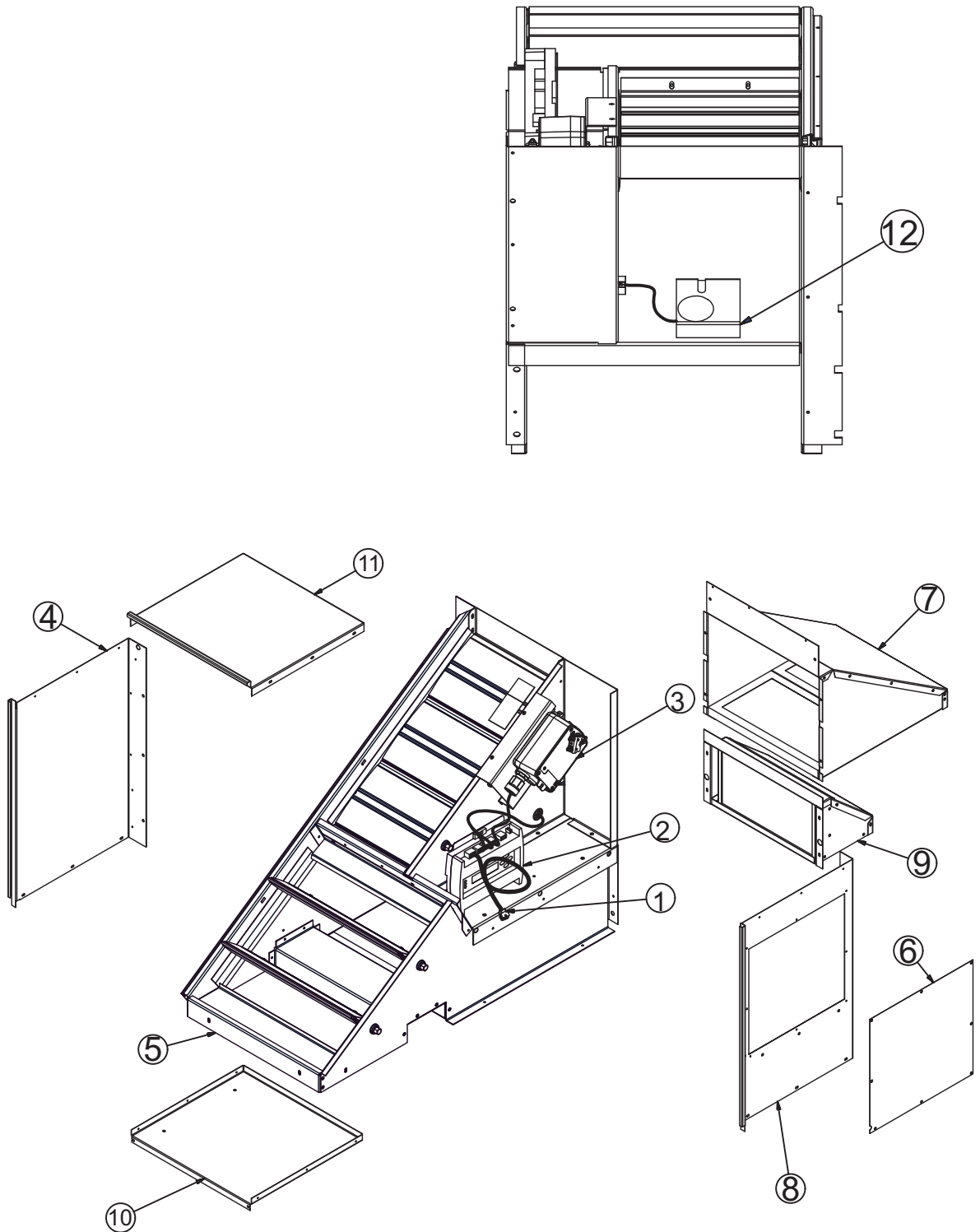


Figure 1: Economizer- Small Foot Print, S1-2EE04710024

FIG	ITEM	DESCRIPTION	S1-2EE04710024A	<
1	1	Harness, Wiring	S1-02547923000	
1	2	JCI Control	S1-RK-ECO1001-0D	
1	3	JCI Actuator	S1-M9205-GGA-YK10	
1	4	Vertical Damper Frame 2	VDF2	
1	5	Damper Frame Assy	DFA	
1	6	Door Side Panel	DPS	
1	7	Fresh Air Hood	FAH	
1	8	Vertical Damper Frame 1	VDF1	
1	9	Barometric Relief Hood	BRH	
1	10	Bottom Panel	BOT	
1	11	Top Panel	TOP	
1	12	JCI Enthalpy Sensor	S1-HE-6863-0N00WS	

FIG	ITEM	DESCRIPTION	S1-2EE04710124A	<
2	1	Harness, Wiring	S1-02547923000	
2	2	JCI Control	S1-RK-ECO1001-0D	
2	3	JCI Actuator	S1-M9205-GGA-YK10	
2	4	Vertical Damper Frame 2	VDF2	
2	5	Damper Frame Assy	DFA	
2	6	Door Side Panel	DPS	
2	7	Fresh Air Hood	FAH	
2	8	Vertical Damper Frame 1	VDF1	
2	9	Barometric Relief Hood	BRH	
2	10	Bottom Panel	BOT	
2	11	Top Panel	TOP	
2	12	JCI Enthalpy Sensor	S1-HE-6863-0N00WS	

NOTE: *Not Shown

New replacement parts shown in **bold** face type at the first printing of parts list dated 1/17.

Major components and suggested stocking items are shown with shaded item number.

"<" Across from row indicates a change in that row.

--- Not applicable to specified model.

Part numbers without the S1- prefix are non-stock items. Longer lead times will be required. Order these items with the numeric or alpha identifier along with the Economizer model number.



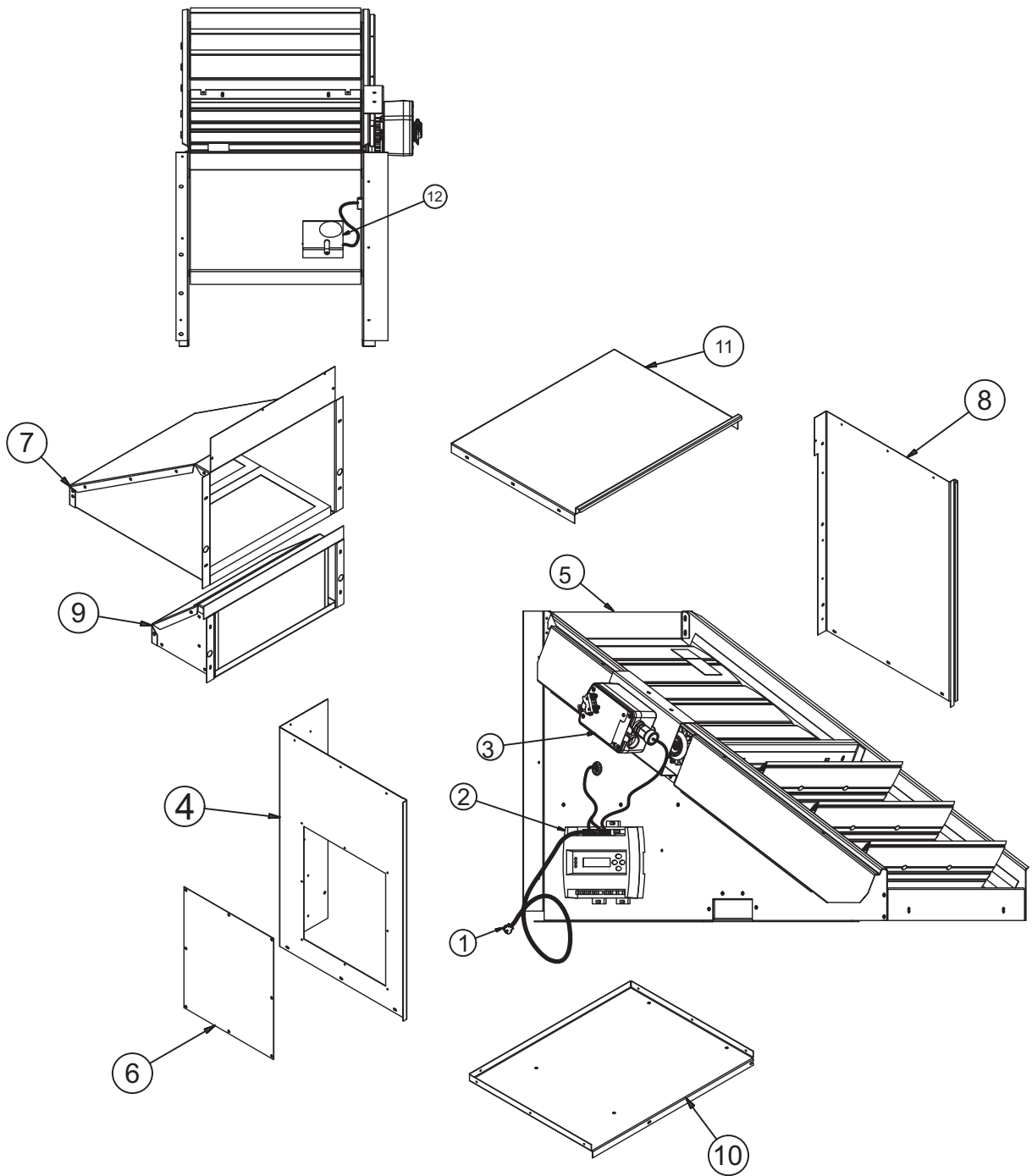


Figure 2: Economizer- Large Foot Print, S1-2EE04710124

TO ORDER AUTHORIZED FACTORY REPLACEMENT PARTS - Contact your Source1 HVAC Parts Distributor or visit our website at **www.Source1Parts.com** for a Distributor and Dealer listing.

Subject to change without notice. Published in U.S.A.
Copyright © 2017 by Johnson Controls, Inc. All rights reserved.

035-24621-001 Rev. A (0117)
Supersedes: Nothing

**York International Corp.
5005 York Drive
Norman, OK 73606**