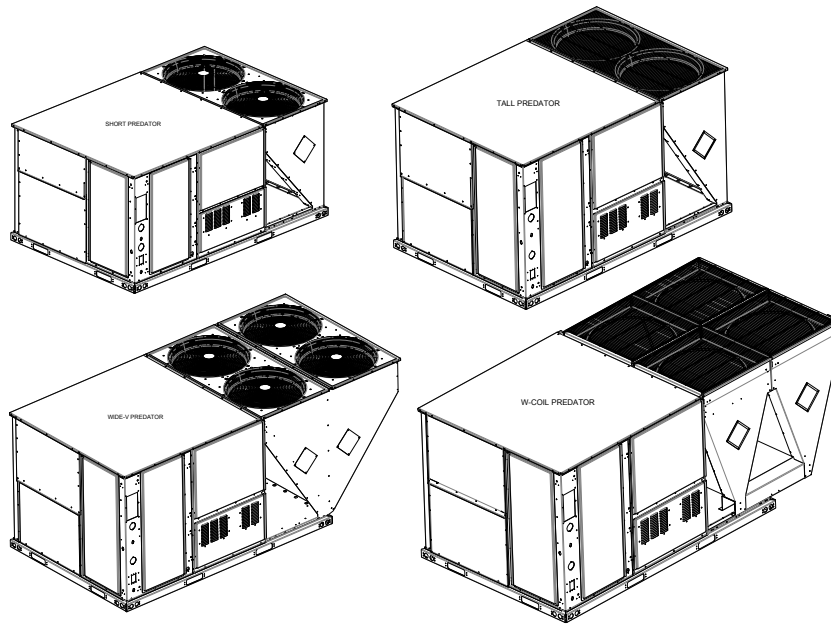


10T_HP_208/230-3-60_R410A_11.0

REPAIR PARTS LIST

PRINTED DATE: 11/12/2018 for Model Number Produced:09/26/2018



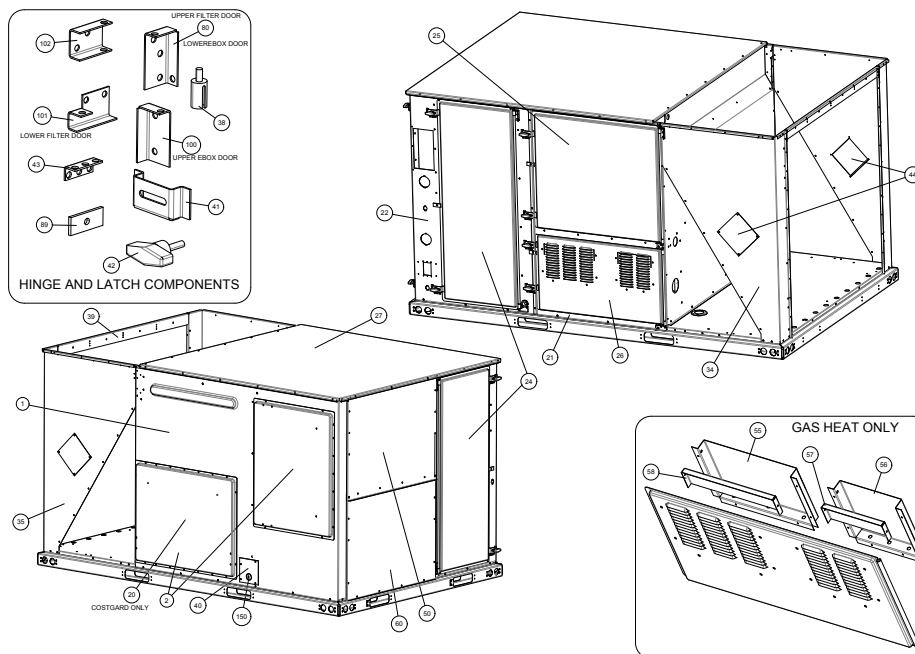
Section	Description
1	ELECTRICAL BOX / CONTROLS
2	SHEET METAL / CABINET PARTS
2D	BASIC UNIT EXTERIOR PANELS
3	REFRIGERATION SYSTEM
4	INDOOR BLOWER PARTS
5	HEAT SECTION
6	ROOF ASSEM / OUTDOOR FAN AND MOTOR PARTS
7	ECONOMIZERS / DAMPER / POWER EXHAUST
9	WIRING DIAGRAMS
10	HARNESSES
12	COMPRESSOR SECTION
14	CONVENIENCE OUTLET
15	SMOKE DETECTOR
16	FILTERS
18A	VFD ELECTRICS
24	DISCONNECT SWITCH

Section	Item	Part Number	Description	XP120E18R2B5GC A2R1
1	NS	S1-03109130000	SENSOR,TEMP,OUTSIDE/RETURN/SUPPLY AIR	3
1	NS	S1-33103655000	SENSOR,TEMP,RETURN,SUPPLY,OUTDOOR	3
1	1	S1-33103649000	BOARD,CIRCUIT,KIT,SSE 3.3,2STAGE,W/COMM	1
1	2	S1-02435803000	CNTCTR,3P,30 AMP,24V,50/60HZ	2
1	4	S1-02439493000	CNTCTR,2P,20 AMP,24V,50/60HZ	1
1	5	S1-02520573000	BLOCK,TERMINAL 3-POLE	1
1	17	S1-02420062700	CAP,RUN SINGLE,5MFD,440V,FLAT	2
1	25	S1-02439478000	SWITCH,AUX,CNTCTR,3&4POLE,40,50&60A,600V	2
1	38	S1-02544135000	FUSE HOLDER,1 POLE,30 AMP,600V	2
1	39	S1-02527750000	FUSE,DUAL,1.5 AMP,600V (M10)	2
1	40	S1-02527755000	BLOCK,TERMINAL,3 POLE,250V,20 AMP	1
1	44	S1-02424116000	RELAY,CNTRL,24V,50/60 HZ,SPDT	1
1	70	S1-02423972000	RELAY,CNTRL,24V,50/60 HZ,DPDT	1
1	88	S1-03101922000	CNTRL,PHASE MONITOR,208/230V	1
1	100	S1-02549713000	TRANSFORMER,INTEGRATED,208/240,75VA	1
1	200	S1-02549717000	TRANSFORMER,INTEGRATED,208/230,150VA	1

Suggested stocking items are shown with shaded item number.

Section	Item	Part Number	Description	XP120E18R2B5GC A2R1
2	13	S1-07323078000	GUIDE,BLOWER RAIL,RIGHT	1
2	14	S1-07323077000	GUIDE,BLOWER RAIL,LEFT	1
2	26	S1-03200184000	PAN,DRAIN	1
2	28	S1-07335177000	SUPPORT,FILTER	1
2	30	S1-07335178000	RACK,FILTER	4
2	31	S1-07331188000	TAB,FILTER REMOVAL	2
2	85	S1-02812480000	PLUG,DRAIN PAN,PLASTIC BOTTOM	1
2	100	5004784	BASERAIL, FRONT/REAR	2
2	143	S1-02645756000	RETAINER,FILTER	2
2	146	S1-07331190000	DOOR,FILTER	2
2	147	S1-07331189000	LATCH,ACCESS DOOR	2
2	200	5004785	BASERAIL, COND END	1
2	300	S1-07345151000	RAIL,BASE,EVAP END	1
2	400	S1-07345152000	BRACKET,RAIL,CORNER	4

Suggested stocking items are shown with shaded item number.



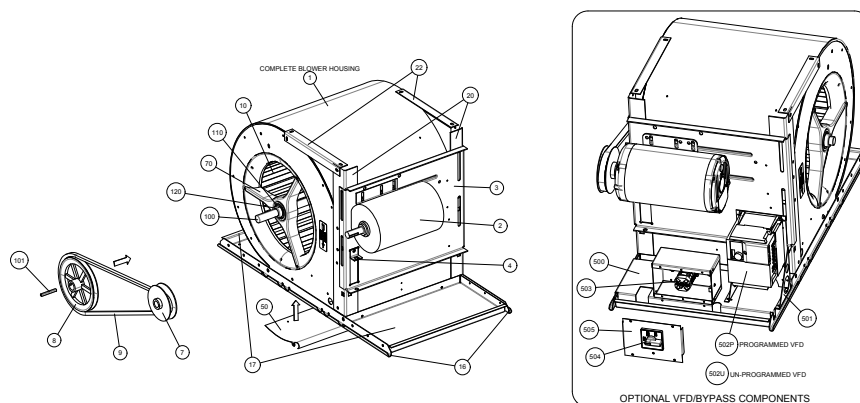
Section : BASIC UNIT EXTERIOR PANELS

Section	Item	Part Number	Description	XP120E18R2B5GC A2R1
2D	1	S1-37326321001	WALL,DUCT AIR ENTRY	1
2D	2	S1-37326322001	COVER,DUCT	1
2D	21	S1-07322587000	WALL,HEAT SERVICE	1
2D	22	S1-07322588000	WALL,FILTER/CTRL SERVICE	1
2D	24	S1-07322605000	DOOR,ACCESS,CONTROL BOX OR FILTERS	2
2D	25	S1-37322604001	DOOR,ACCESS,BLOWER	1
2D	26	S1-07322603000	DOOR,HEAT ACCESS	1
2D	27	S1-07322593000	PANEL, TOP, EVAPORATOR	1
2D	34	S1-07338774000	PNL,COND,SRV SIDE,TALL	1
2D	35	S1-07338775000	PNL,COND,DUCT SIDE,TALL	1
2D	38	S1-02922199000	PIN,HINGE,BRASS,1.563 LG	8
2D	39	S1-07321998000	PNL, TOP COND COIL, 7.5 T	1
2D	40	S1-07344653000	PLATE,COVER,DRAIN PAN	1
2D	41	S1-07323041000	PLATE,LATCH (OBLONG)	8
2D	42	S1-02922122000	HANDLE,DOOR 1" EXPOSED THREAD,BLACK	8
2D	43	S1-07322796000	BRACKET,HINGE,SINGLE	8
2D	44	S1-07338778000	PNL,COND,ACCESS	2
2D	50	S1-07344650000	PANEL,ECONOMIZER,UPPER,PREDATOR,TALL	1
2D	60	S1-07344649000	PANEL,ECONOMIZER,SPLIT	1
2D	80	S1-07323036000	BRACKET HINGE	4
2D	89	S1-07301920000	PLATE,LATCH	4
2D	100	S1-07323058000	BRACKET,HINGE,UPPER CNTRL	1
2D	101	S1-07323059000	BRACKET,HINGE,LEAFED	1
2D	102	S1-07322795000	BRACKET,HINGE,DUAL	1
2D	150	S1-02814791000	GROMMET,1-3/8 INCH	1

Suggested stocking items are shown with shaded item number.

Section	Item	Part Number	Description	XP120E18R2B5GC A2R1
3	NS	S1-02202475700	CORE,VLV,V PORT (M10)	8
3	NS	S1-02208017000	STEM,VALVE	2
3	3	S1-07321955000	BRACE,CONDENSER LOWER R:B1	2
3	4	S1-07321956000	BRACE,CONDENSER UPPER R:B1	2
3	30	S1-02544139000	CNTRL,PRES,REFRIG,625/500(O/C) PSIG	1
3	31	S1-02530249700	CNTRL,PRES,REFRIG,LOW,7/22(O/C) PSIG	1
3	33	S1-52636219000	FILTER-DRIER,HPC 3/8 ODF,18 SQ IN	2
3	41	S1-02815913000	GROMMET,OVERMOLDED,PREDATOR	1
3	42	S1-02815911000	GROMMET,OVERMOLDED,PREDATOR	1
3	55	S1-02550564000	SENSOR,TEMP,-40 to 110C,FEMALE,W/O CLIP	2
3	56	S1-02135517000	CLAMP,THERMISTOR,SS,5/8 DIAMETER	2
3	57	S1-02550562000	SENSOR,TEMP,-40 to 110C,FEMALE,W/CLIP	2
3	210	S1-02535388002	VLV,REVERSING W/COIL	1
3	221	S1-02625573007	ACCUMULATOR 7/8 INCH ID	2
3	222	S1-07323004000	BRACKET ACCUMULATOR R:B	1
3	223	S1-07318789000	PLATE,ACCUMULATOR	1
3	450	S1-37330248000	COIL,EVAP,XP102,G5	1
3	460	S1-02211631000	DISTR ASSEM,8 TUBE,3/16X19.5	2
3	460	S1-02213137000	DIST,BELLED,6 TUBE,5/8 X 3/16,29 INCH	1
3	470	S1-02545285000	VLV,TXV,3/8 X 5/8 ODF,EVAP,SPORLAN	2
3	470	S1-02546785000	VLV,TXV,3/8X5/8ODF,98.0PSIG,SPORLAN	1
3	501	S1-37338794000	COIL,COND,S1,XP090-120	1
3	502	S1-37337795000	COIL,COND,S2,XP090-120	1

Suggested stocking items are shown with shaded item number.



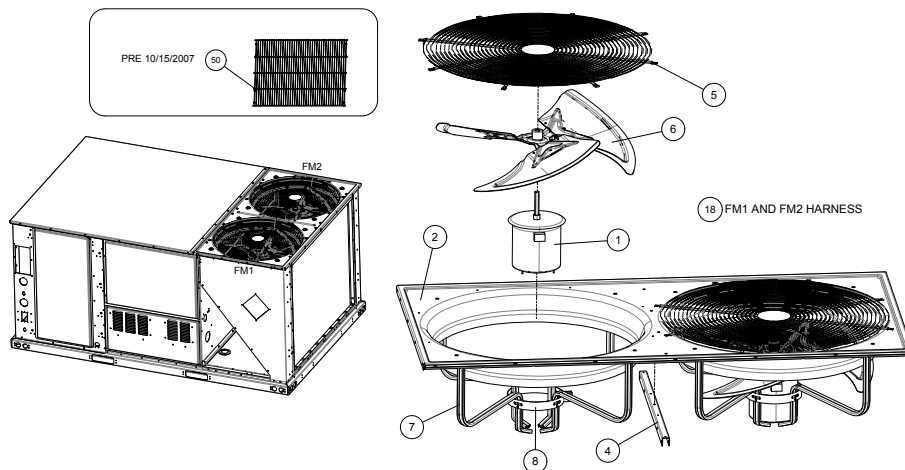
Section : INDOOR BLOWER PARTS

Section	Item	Part Number	Description	XP120E18R2B5GC A2R1
4	1	S1-02638612000	BLW ASSEM W/HSG,WHEEL,SHAFT AND BRNGS	1
4	2	S1-02439498000	MTR,BLW,3.00 HP,1750,208-460/3/60	1
4	3	S1-07322913000	PLATE,MOUNT,MOTOR	1
4	4	S1-07322914000	ANGLE,MOTOR ADJUST	1
4	7	S1-02804807700	SHEAVE,VARIABLE 1 GRV,0.875" BORE,1VM50	1
4	8	S1-02813379000	SHEAVE,FIXED 1 GRV,1" BORE,AK74X1	1
4	9	S1-02812424700	BELT,DRIVE,A54, PL=55.3	1
4	10	S1-02646418000	WHL,BLW,15 X 15,1.0 BORE,GALVANIZED	1
4	16	S1-07323074000	RAIL,SIDE,BLOWER	2
4	17	S1-07323075000	MOUNT,MOTOR,BLOWER,PREDATOR	2
4	20	S1-07322912000	ANGLE,MOTOR BRACKET	2
4	22	S1-07325983000	BRACKET,BLOWER SUPPORT	2
4	50	S1-02647814000	CUTOFF,BLOWER,15 X 15 INCH	1
4	70	S1-02647816000	BRACKET,BEARING,A15,ONE PIECE	2
4	100	S1-02925432000	SHAFT,BLOWER,1.00 DIA X 23.00 LONG	1
4	101	S1-02926876000	KEY,STEEL,1/4 X 1/4 X 2.38 INCH	1
4	110	S1-02817113000	BEARING ISOLATOR FOR 1 INCH BALL BEARING	2
4	120	S1-02926863000	BEARING,LESS ISOLATOR,1 INCH	2
4	500	S1-07328474000	PLATE,VFD MOUNTING,TALL PREDATOR	1
4	501	S1-07331238000	BRACKET,VFD MOUNTING,TALL PREDATOR	1
4	502P	S1-32439446000	CNTRLR,VFD PRGMD FOR 8.2A PREDATOR	1
4	502U	S1-02439446000	CNTRL,PROGRAMMABLE VFD,3.0 HP,208/230V	1

Suggested stocking items are shown with shaded item number.

Section	Item	Part Number	Description	XP120E18R2B5GC A2R1
5	NS	S1-02813374000	PLUG,2.00ID,.25L	2

Suggested stocking items are shown with shaded item number.



Section : ROOF ASSEM / OUTDOOR FAN AND MOTOR PARTS

Section	Item	Part Number	Description	XP120E18R2B5GC A2R1
6	1	S1-02434550001	MTR,COND,1/3,850,CCW,208/230,W/RAINSHLD	2
6	2	S1-07343029000	ROOF,COND,PRED,RND GRL	1
6	4	S1-07322516000	SUPPORT,CENTER,COND ROOF	1
6	5	S1-02647775000	GUARD,FAN,28.75 INCH,BLACK	2
6	6	S1-02635587000	FAN,PROP,24",CW,3-31,1/2"BORE	2
6	7	S1-02635590000	MOUNT,MOTOR ARM	8
6	8	S1-02634756000	BRACKET,MOUNT,MOTOR,BELLY BAND	2
6	18	S1-02526387017	HARNES W/PLUG,COND MTR 138 INCH	2

Suggested stocking items are shown with shaded item number.

Section	Item	Part Number	Description	XP120E18R2B5GC A2R1
7	30	1073315	Downflow Hood kit,KD,OA,Baro Relief,Tall	1

Suggested stocking items are shown with shaded item number.

Section : WIRING DIAGRAMS

Section	Item	Part Number	Description	XP120E18R2B5GC A2R1
9	301	5438504	LABEL , WIRING, XP078-120	1
9	307	697782	LABEL WIRING PWR CONV OUT	1
9	309	5145252	LABEL ,MITSU,VFD PARAMETERS,L524	1

Suggested stocking items are shown with shaded item number.

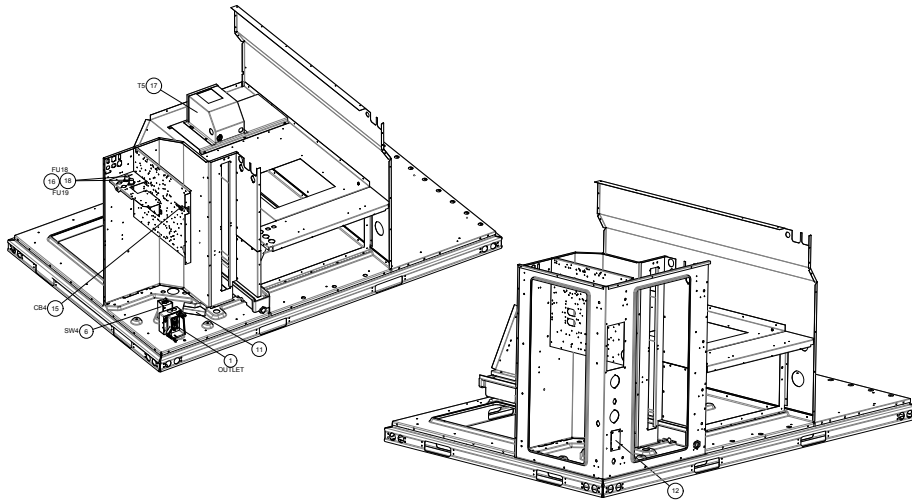
Section : HARNESES

Section	Item	Part Number	Description	XP120E18R2B5GC A2R1
10	10	S1-02541104000	HARNESS,WIRING,COMPR,39"LG W/PLUG	1
10	601	S1-02546665000	HARNESS,WIRE,S1,UCB	1
10	602	S1-02546667000	HARNESS,WIRE,S2,UCB,HEAT PUMP	1
10	603	S1-02546754000	HARNESS,WIRE,S3,UCB,ELEC HEAT	1
10	604	S1-02546755000	HARNESS,WIRE,S4,UCB	1
10	605	S1-02546757000	HARNESS,WIRE,S5,UCB	1
10	609	S1-02546761000	HARNESS,WIRE,S9,UCB,TWO STAGE,VFD	1
10	610	S1-02546766000	HARNESS,WIRE,S10,UCB,W/M4	1
10	611	S1-02546767000	HARNESS,WIRE,P11,RAT/SAT	1
10	613	S1-02549710000	HARNESS,WIRING,SMOKE DETECTOR,S13	1
10	614	S1-02543252000	HARNESS,WIRING,S14/S28	1
10	615	S1-02547856000	HARNESS,WIRING,S15,UCB-ECON	1
10	617	S1-02547858000	HARNESS,WIRING,S17,ECON	1
10	620	S1-02546773000	HARNESS,WIRE,S20,ECON	1
10	622	S1-02546776000	HARNESS,WIRE,S22,UCB,APS/DFS	1

Suggested stocking items are shown with shaded item number.

Section	Item	Part Number	Description	XP120E18R2B5GC A2R1
12	10	S1-01503933004	COMPR,ZP51K5E-TF5-830	2
12	20	S1-02810581000	ISOLATOR,COMPRESSOR,NEOPRENE	8
12	30	S1-02117116000	SCREW,5/16-18X1-3/4,HEX HD,W/SLEEVE	8
12	60	S1-02541100000	HEATER,CC,BAND,70W,240V,19.6-27.1 CIRCUM	2

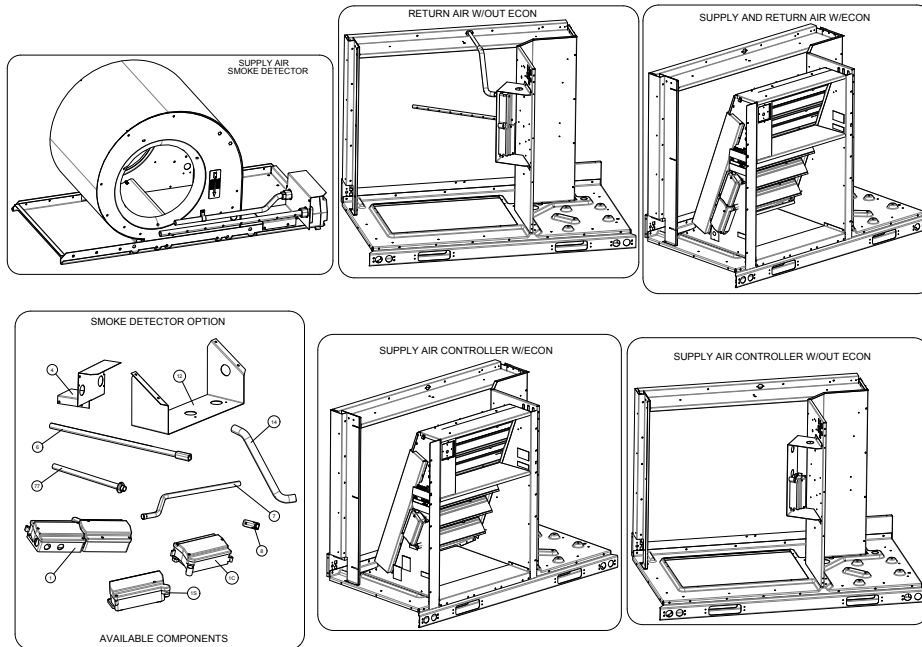
Suggested stocking items are shown with shaded item number.



Section : CONVENIENCE OUTLET

Section	Item	Part Number	Description	XP120E18R2B5GC A2R1
14	1	S1-02439518000	RECEPTACLE,GFCI,125V,20A,WEATHERPROOF	1
14	6	S1-02426065000	SWITCH,TOGGLE,DPST,30A W/BRACKET	1
14	11	S1-02543260000	COVER,CONVENIENCE OUTLET W/GASKETS	1

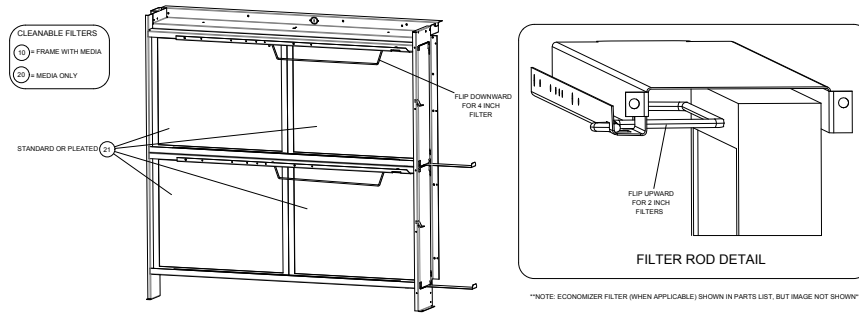
Suggested stocking items are shown with shaded item number.



Section : SMOKE DETECTOR

Section	Item	Part Number	Description	XP120E18R2B5GC A2R1
15	1C	S1-02925428000	CONTROLLER,SMOKE DETECTOR W/HARNESS	1
15	1S	S1-02543284000	SENSOR,SMOKE DETECTOR W/O HARNESS	1
15	4	S1-07328962000	SUPPORT,SMOKE DETECTOR SENSOR,SA	1
15	6	S1-02645765000	TUBE,SAMPLING,EMT,W/ADAPTER	1
15	7	S1-07328963000	TUBE,EXHAUST	1
15	8	S1-02925427000	ADAPTER,PLASTIC	1

Suggested stocking items are shown with shaded item number.

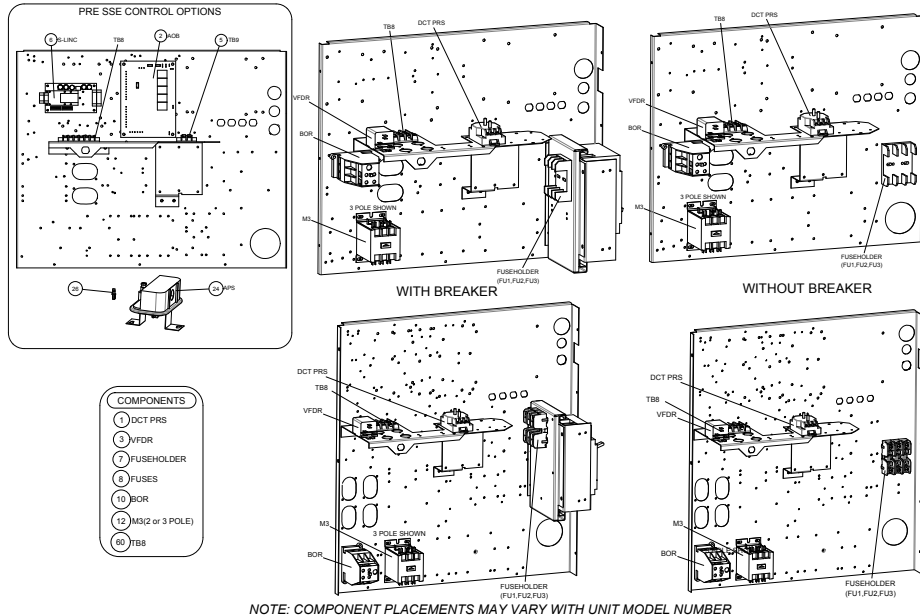


Section : FILTERS

Section	Item	Part Number	Description	XP120E18R2B5GC A2R1
16	21	S1-02646343000	FILTER,AIR,PLeATED,MERV 8, 20X24X2	4

Suggested stocking items are shown with shaded item number.

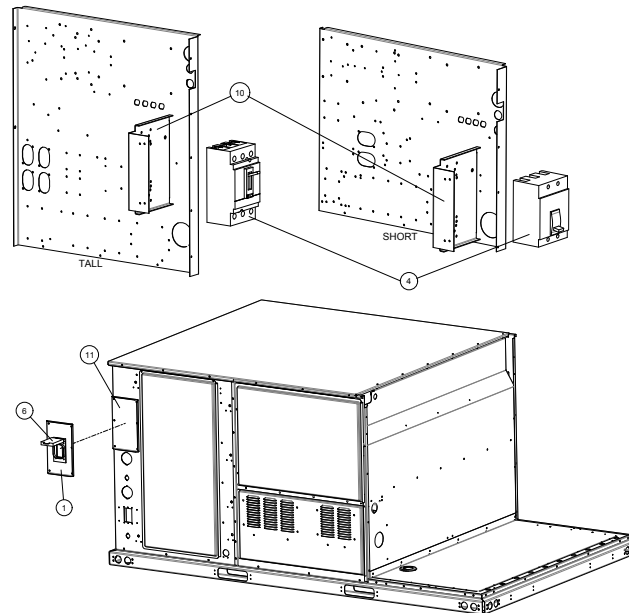
OPTIONAL VFD ASSEMBLY COMPONENTS



Section : VFD ELECTRICS

Section	Item	Part Number	Description	XP120E18R2B5GC A2R1
18A	3	S1-02424116000	RELAY,CNTRL,24V,50/60 HZ,SPDT	1
18A	7	S1-02547865000	FUSE BLOCK,1,600V,30A,3P	1
18A	8	S1-02547885000	FUSE,600V,20A,CLASS CC	3

Suggested stocking items are shown with shaded item number.



Section : DISCONNECT SWITCH

Section	Item	Part Number	Description	XP120E18R2B5GC A2R1
24	1	S1-07322688002	PLATE,PATCH,DISCONNECT	1
24	4	S1-02435765000	BREAKER,CIRCUIT,3 POLE,110A,240V	1
24	6	S1-02531977000	CVR,DISCONNECT	1
24	10	S1-07326758000	BRACKET,SWITCH MOUNT	1

Suggested stocking items are shown with shaded item number.

Model series repair parts lists are generated for each model number from the last production bill of material.

Major components and suggested stocking items are shown with shaded item number.

Repair parts lists are subject to change without notice.

TO ORDER AUTHORIZED FACTORY REPLACEMENT PARTS - Contact your Source1 HVAC Parts Distributor or visit our website at www.Source1Parts.com for a Distributor and Dealer listing.

Copyright © 2018 by Johnson Controls Inc. All rights reserved.

Johnson Controls Unitary Products