

**PRODUCT SPECIFICATIONS**

Elkay Vandal Resistant Lever Handle Classroom Bubbler. Overall dimensions are 7-1/4" x 1-15/16" x 5-15/16". Made of Chrome-plated Brass.

<b>Special Features:</b>	Solid Brass Construction, Vandal resistant
<b>Installation Type:</b>	Deck Mount
<b>Material:</b>	Chrome-plated Brass
<b>Finish:</b>	Chrome (CR)
<b>Dimensions:</b>	7-1/4" x 1-15/16" x 5-15/16"
<b>Shipping Weight:</b>	5 lbs.

- Bubbler is ADA compliant.
- Vandal-resistant bubblers feature chrome-plated integral hood guard to prevent contamination from other users, airborne deposits and tampering.
- Lever-activated bubbler designed so that water never comes in contact with lead-containing materials.
- Built-in adjustable water volume control regulates flow from 20 PSI to 105 PSI.
- Heavy chrome-plated body with a 1/2" (13mm) straight pipe thread connection.
- Requires one faucet hole.



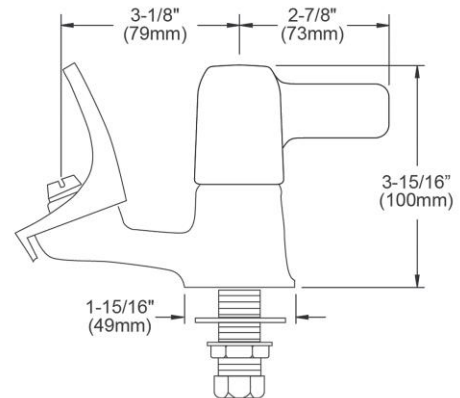
A Century of Tradition and Quality. For more than 100 years, Elkay has been making innovative products and providing exceptional customer care. We take pride in offering plumbing products that make life easier, inspire change and leave the world a better place.



**Product Compliance:** ADA & ICC A117.1  
ASME A112.18.1/CSA B125.1  
NSF 372 (lead free)  
NSF 61



[Clean and Care Manual \(PDF\)](#)  
[Installation Instructions \(PDF\) - A55326](#)  
[Warranty \(PDF\)](#)



PART: \_\_\_\_\_ QTY: \_\_\_\_\_  
 PROJECT: \_\_\_\_\_  
 CONTACT: \_\_\_\_\_  
 DATE: \_\_\_\_\_  
 NOTES: \_\_\_\_\_  
 APPROVAL: \_\_\_\_\_

*In keeping with our policy of continuing product improvement, Elkay reserves the right to change product specifications without notice. Please visit [elkay.com](http://elkay.com) for the most current version of Elkay product specification sheets. This specification describes an Elkay product with design, quality, and functional benefits to the user. When making a comparison of other producers' offerings, be certain these features are not overlooked.*