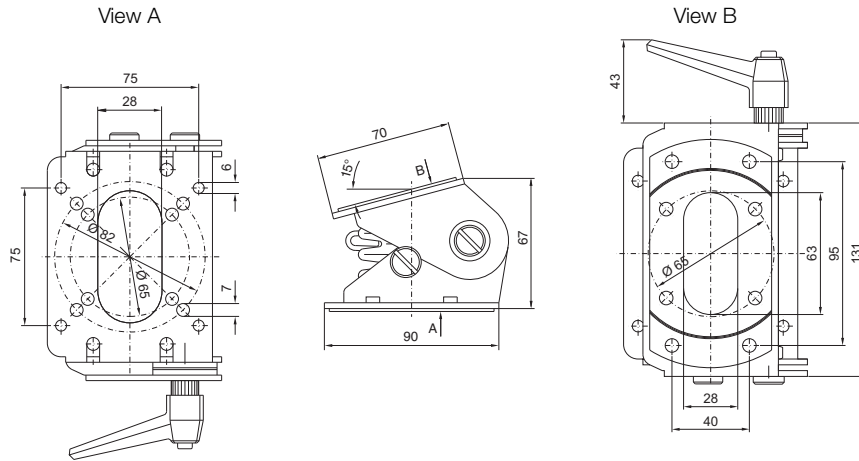


Tilting adaptor +100°/-60°

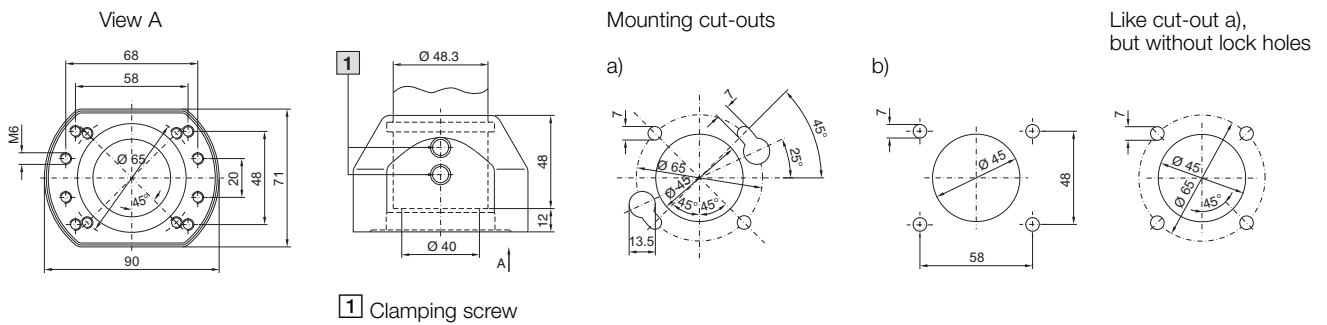
for command panels with support arm connection □ 120 x 65 mm

CP 6206.460



Attachment CP 40, steel

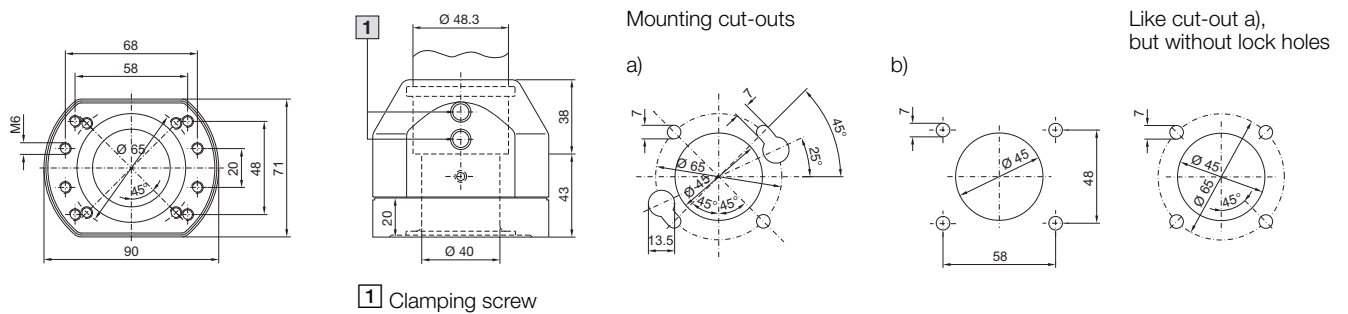
CP 6501.070



Coupling CP 40, steel

for support arm connection □ 90 x 71 mm

CP 6501.050



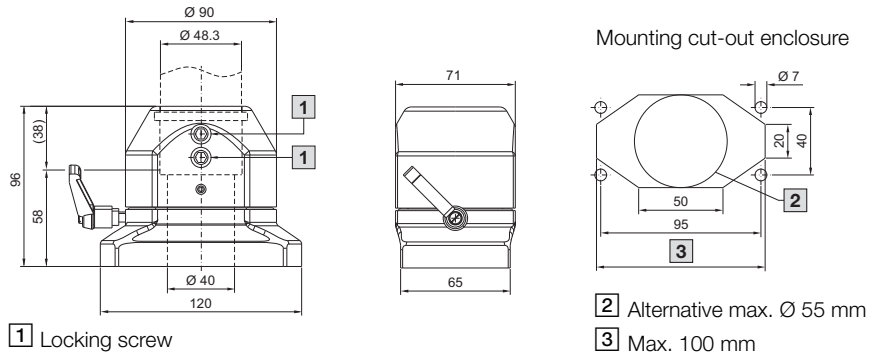
Enclosures

Support arm system CP 40, steel

Coupling CP 40, steel

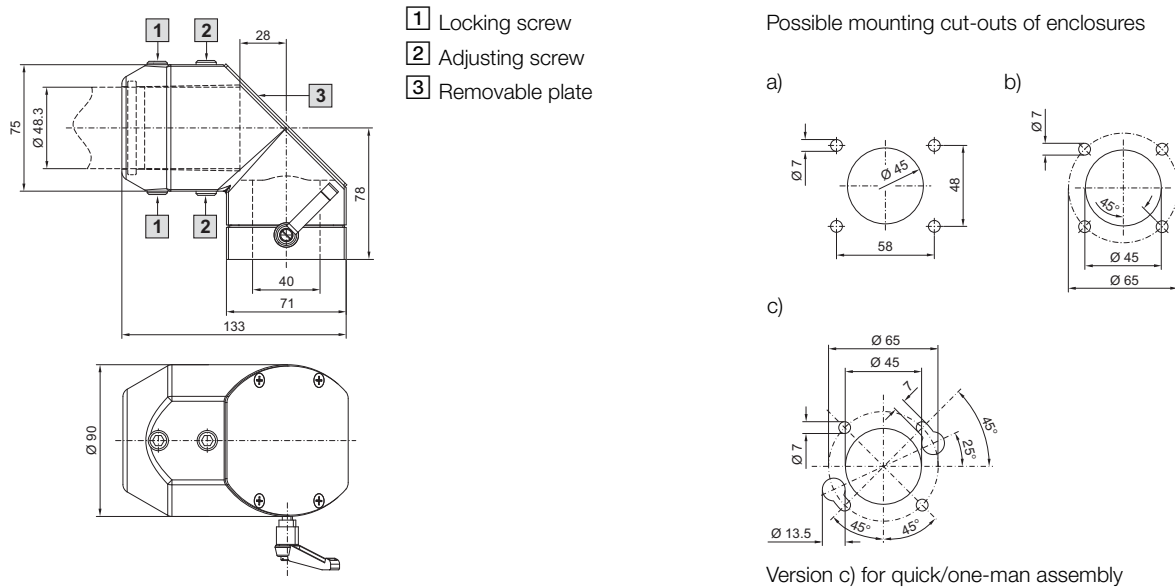
for support arm connection □ 120 x 65 mm

CP 6501.130

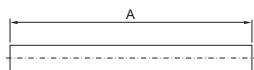


Angle coupling 90° CP 40, steel

CP 6501.120



Support section CP 40, steel

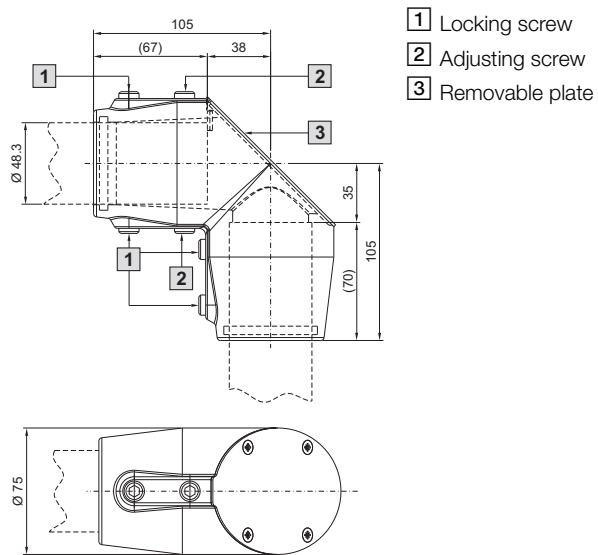


A mm	Model No. CP
500	6501.000
1000	6501.020

$A_{min.} = 100 \text{ mm}$
 $A_{max.} = 2000 \text{ mm}$

Angle piece 90° CP 40, steel

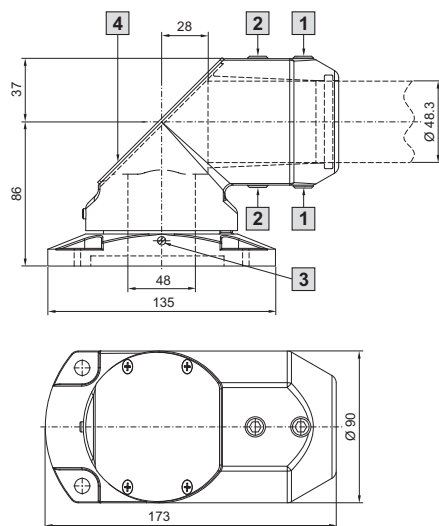
CP 6501.140



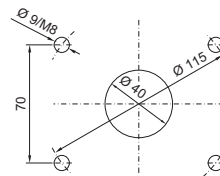
- 1 Locking screw
- 2 Adjusting screw
- 3 Removable plate

Top-mounted joint CP 40, steel

CP 6501.160



Mounting cut-out



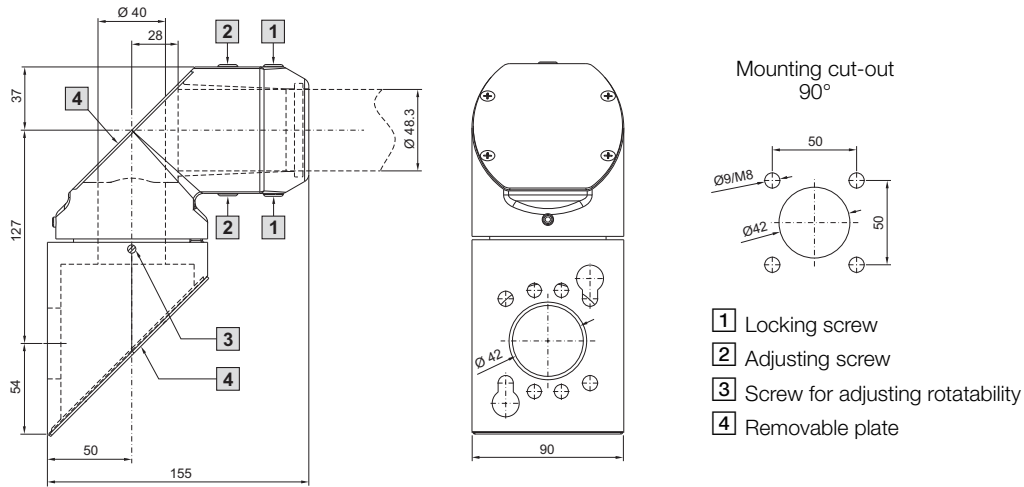
- 1 Locking screw
- 2 Adjusting screw
- 3 Screw for adjusting rotatability
- 4 Removable plate

Enclosures

Support arm system CP 40, steel

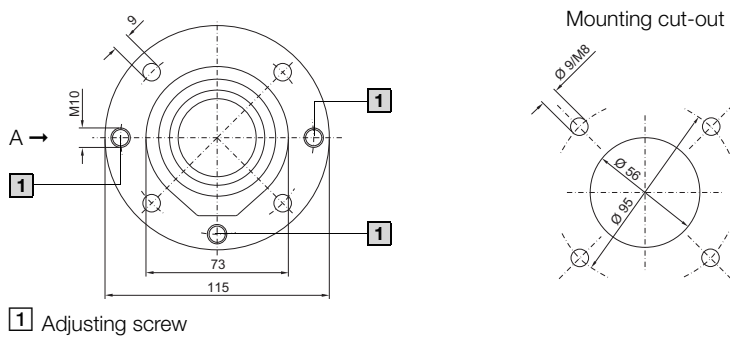
Wall-mounted hinge CP 40, steel

CP 6501.150



Wall/base mounting bracket CP 40, steel

CP 6501.110



View A

