



# SINGLE BASIN METERING

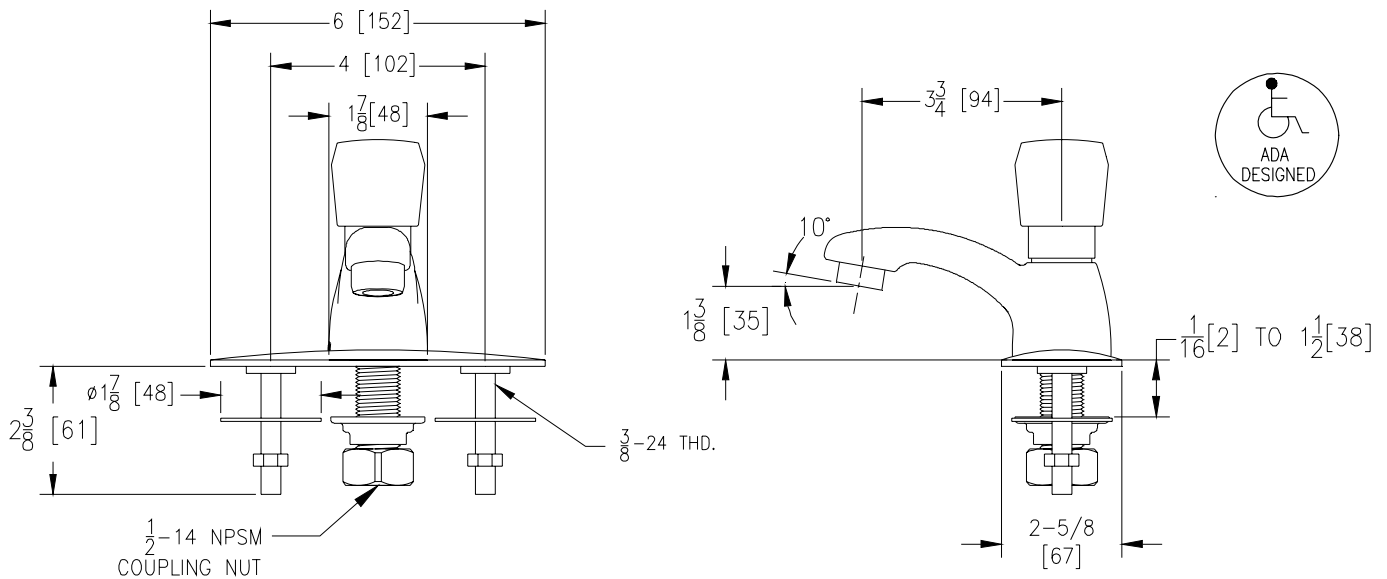
## Z86100-XL-CP4

### TAG \_\_\_\_\_

#### Engineering Specifications: Zurn AquaSpec® Z86100-XL-CP4

Polished chrome-plated single basin lavatory, slow-closing metering faucet with an integral brass 3-3/4" [95mm] centerline spout and a vandal-resistant color-coded metal handle. Easy adjustable cycle time, preset to 10 seconds at 80 PSI. Unit is furnished with a water-conserving 1.0 GPM [3.8 L] (-7M) spray outlet which reduces flow to .25 GPC [.95 L], (complying with ANSI A112.18.1 Standard for flow), 4" [102mm] centers, integral shank filter, chrome plated metal cover plate, anti-rotation pins, mounting hardware, 1/2" NPSM coupling nut for standard lavatory risers.

Zurn Lead Compliant\* "XL" products are a line of durable, high quality brass faucets and fixtures that are designed and manufactured to comply with state laws and local codes that mandate lead content levels. Zurn "XL" products are manufactured with \*not more than 0.25% lead content when used with respect to wetted surfaces of pipes and pipe fittings, plumbing fitting and fixtures: California Health & Safety Code § 116875; Vermont 9 VCA § 2470h.



Note: All dimensions are for reference only. Do not use for pre-plumbing

#### OPTIONAL ACCESSORIES

Suffix	Description
___ -CS	Check Stop
___ -G	1-1/4" [32mm] Grid Strainer Drain
___ -GH	1-1/4" [32mm] Offset Handicap Drain
___ -IN	Institutional Handle- Tamper-Proof and Vandal-Resistant
___ -PT	1-1/4" [32mm] Cast Brass P-Trap with a 7-1/2" [191mm] Long 17-Gauge Wall Bend
___ -RKR	ADA Compliant Rocker Handle
___ -3M	0.5 GPM [1.9 L] Vandal-Resistant Pressure Compensating Male Spray Outlet
___ -7M	1.0 GPM [3.8 L] Pressure Compensating Male Spray Outlet
___ -16M	1.0 GPM [3.8 L] Vandal-Resistant Pressure Compensating Male Spray Outlet
___ -21M	1.0 GPM [3.8L] Pressure Compensating Male Laminar Flow Outlet
___ -22M	1.0 GPM [3.8L] Pressure Compensating Vandal-Resistant Male Laminar Flow Outlet
___ -24M	0.35 GPM [1.3 L] Pressure Compensating Male Spray Outlet
___ -25M	0.35 GPM [1.3 L] Vandal-Resistant Pressure Compensating Male Spray Outlet

ZURN INDUSTRIES, LLC ♦ COMMERCIAL BRASS OPERATION ♦ 2640 SOUTH WORK STREET ♦ FALCONER NY 14733

Phone: 1-800-997-3876 ♦ Fax: 1-919-775-3541 ♦ www.zurn.com

In Canada: ZURN INDUSTRIES LIMITED ♦ 3544 Nashua Drive ♦ Mississauga, Ontario L4V1L2 ♦ Phone: 905/405-8272 Fax: 905/405-1292