

**PRODUCT SPECIFICATIONS**

Elkay Allure Single Hole Kitchen Faucet with Lever Handle Satin Stainless Steel. Faucet has a flow rate of 1.5 GPM, and is made of Stainless Steel material, with a Ceramic Disc valve. Faucet requires 1 faucet holes.

<b>Mounting Type:</b>	Deck Mount
<b>Special Features:</b>	Low Flow
<b>Finish:</b>	Satin Stainless Steel (SSS)
<b>Handle Type:</b>	Lever Handle
<b>Deck Clearance:</b>	7-3/4"
<b>Spout Reach:</b>	8"
<b>Spout Height:</b>	13-3/4"
<b>Hole Drillings:</b>	1
<b>Material:</b>	Stainless Steel
<b>Valve Type:</b>	Ceramic Disc
<b>Valve Connection:</b>	3/8" Female Compression Hose Assembly
<b>Flow Rate:</b>	1.5 GPM
<b>Faucet Hole Size (min):</b>	1-1/2"
<b>Countertop Thickness:</b>	2-1/2"
<b>Spout Swing Rotation:</b>	360°
<b>Spout Type:</b>	Standard Spout



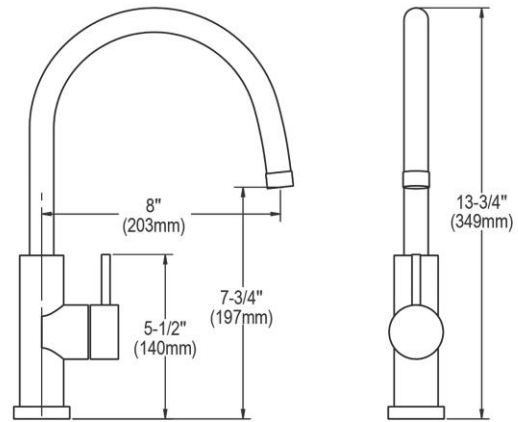
A Century of Tradition and Quality.  
For more than 100 years, Elkay has been making innovative products and providing exceptional customer care. We take pride in offering plumbing products that make life easier, inspire change and leave the world a better place.

**Product Compliance:** ADA & ICC A117.1  
ASME A112.18.1/CSA B125.1  
CEC  
NSF 372 (lead free)  
NSF 61



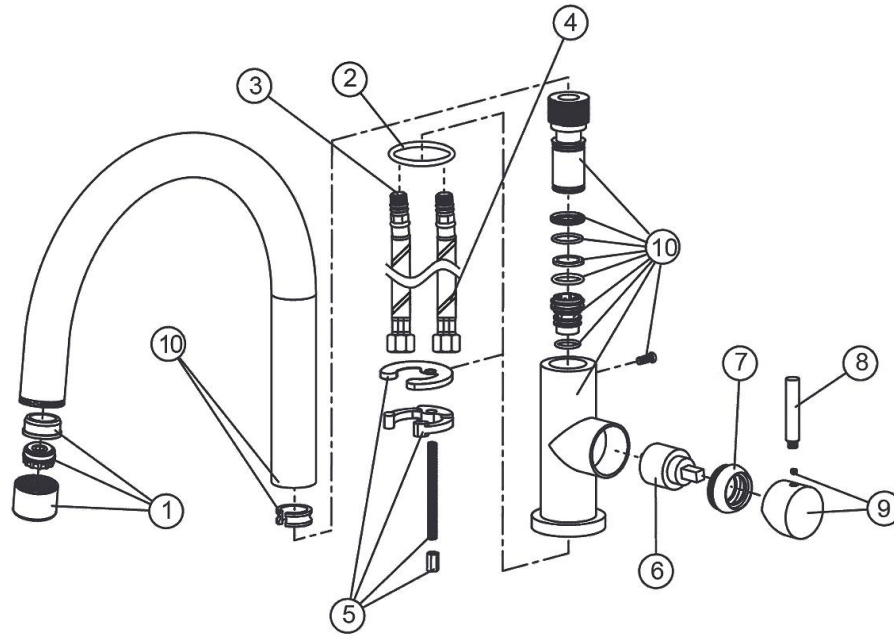
Complies with ADA & ICC A117.1 accessibility requirements when installed according to the requirements outlined in these standards.

[Clean and Care Manual \(PDF\)](#)  
[Installation Instructions \(PDF\) - P99032\\_LK7921\\_7922](#)  
[Warranty \(PDF\)](#)



PART: \_\_\_\_\_ QTY: \_\_\_\_\_  
PROJECT: \_\_\_\_\_  
CONTACT: \_\_\_\_\_  
DATE: \_\_\_\_\_  
NOTES: \_\_\_\_\_  
APPROVAL: \_\_\_\_\_

*In keeping with our policy of continuing product improvement, Elkay reserves the right to change product specifications without notice. Please visit [elkay.com](http://elkay.com) for the most current version of Elkay product specification sheets. This specification describes an Elkay product with design, quality, and functional benefits to the user. When making a comparison of other producers' offerings, be certain these features are not overlooked.*



ITEM	Part No.	DESCRIPTION
1	M7900	Aerator
2	LK7900XX	O-Ring
3	LK7900X5H	Supply Hose (Hot)
4	LK7900X5C	Supply Hose (Cold)
5	LK7900X7	HW Kit
6	LK7921X9	Cartridge
7	LK79009A	Cartridge Nut
8	LK7900X1A	Handle
9	LK7900X1B	Handle Base
10	N/A	Spout Assembly

*In keeping with our policy of continuing product improvement, Elkay reserves the right to change product specifications without notice. Please visit [elkay.com](http://elkay.com) for the most current version of Elkay product specification sheets. This specification describes an Elkay product with design, quality, and functional benefits to the user. When making a comparison of other producers' offerings, be certain these features are not overlooked.*