

Specification Sheet

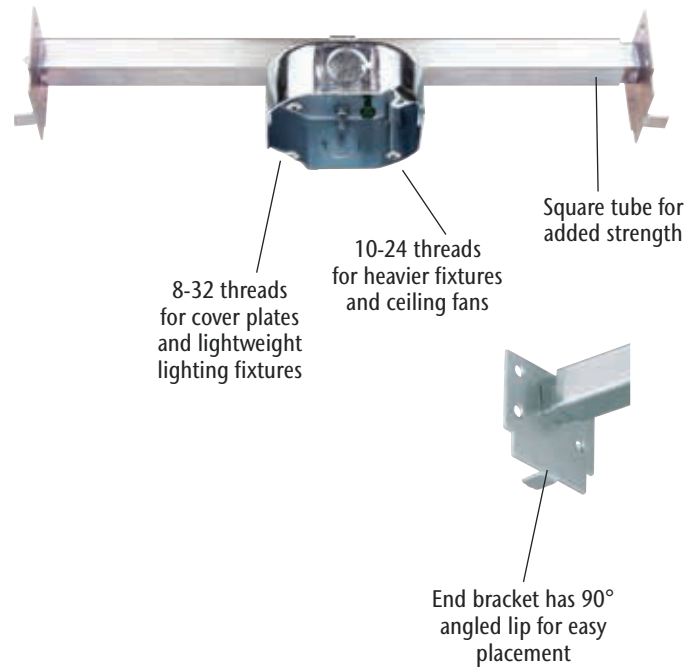
Saf-T-Bar[®]

Ideal for New Construction or Where Attic Is Accessible

Item Number **0152511**

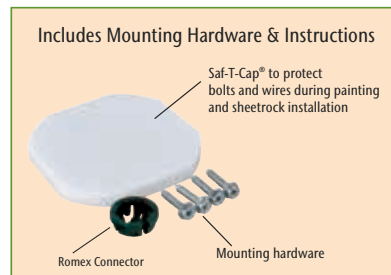
Specifications

- Can be used with engineered truss
- Fits all ceiling fans
- Easy 4-step installation
- Fits 16" to 24" ceiling joists
- For fixture support of 150 lbs. or less on 16" centers
- For fixture support of 90 lbs. or less on 24" centers
- Acceptable for fan support of 70 lbs. or less
- Heavy duty, 15.5 cubic inch dual mount* electrical box
- Box depth - 1½"
- 6 - ½" Romex or conduit knockouts
- Position box anywhere along brace
- Includes 1 plastic Romex connector



Pack Information

- Bulk Packed
- 12 Per Cut Case



*Includes Mounting Hardware And Instructions.
Meets or Exceeds UL Standards Regarding Exposed Threads Within Box.
Meets or Exceeds NEC[®] Safety Codes.*

**Dual Mount = Box is threaded for 8-32 (ideal for box covers and lightweight fixtures) and 10-24 screws (ideal for heavier fixtures and ceiling fans).*

Romex[®] is a registered trademark of Southwire Company.

Call 1-800-999-2226 or visit www.westinghouselighting.com

Westinghouse Lighting Corporation, Philadelphia, PA 19154-1029, U.S.A. Westinghouse Lighting Corporation, a Westinghouse Electric Corporation licensee
 ® "Westinghouse" and "You can be sure...if it's Westinghouse" are all registered trademarks of Westinghouse Electric Corporation

