



[Catalog Home](#)



Product Datasheet **ANDERSON FARGO**

GDE5102 -- Automatic Guy Wire Deadend



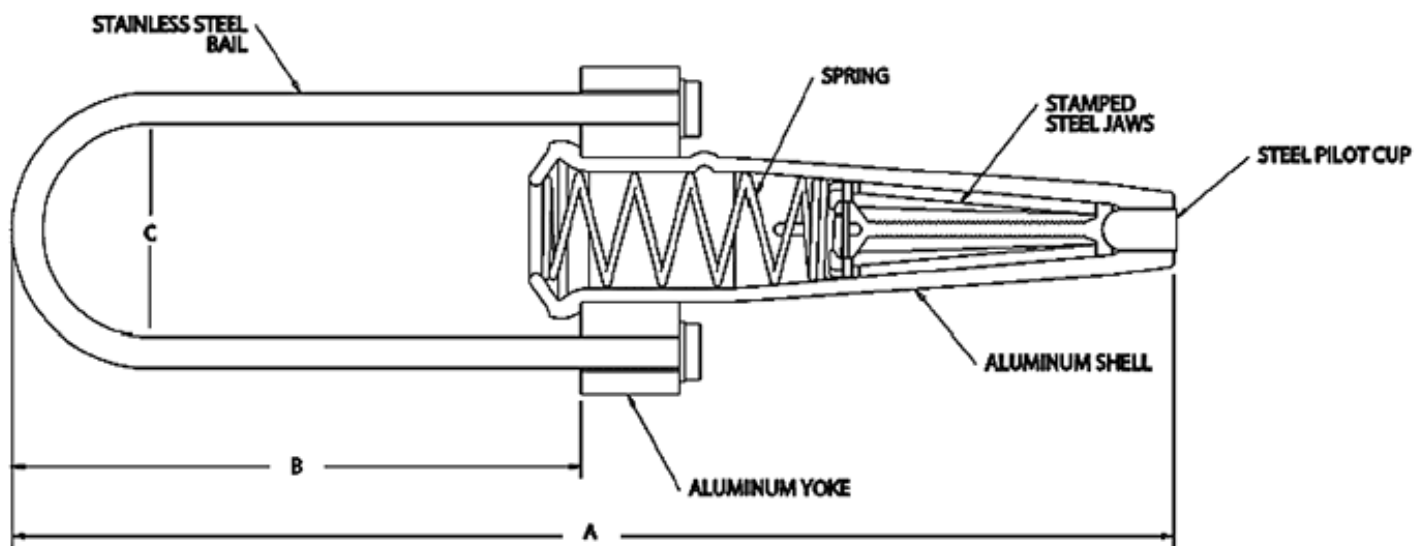
Automatic Guy Wire Deadend, 3/8" 7 Strand, HS, EHS, Common, Siemens-Martin, Utilities and Bell System Strand

Product Specifications

<p>Category Image</p>	 <p>Guy Wire Deadends</p> <p>Automatic, Formed Wire, Bolted Galvanized, Alumoweld</p>
<p>Series Image (Auto Guy Deadends)</p>	 <p>GDE 5100 Series</p> <p>Automatic Dead End Std Guy Wire</p>
<p>PDF Catalog Page</p>	<p>Click HERE to view the web page.</p>
<p>Guy Wire Type</p>	<p>HSS, Common, Siemens-Martin, Utilities and Bell System Strand</p>
<p>Nominal Guy Wire Size</p>	<p>3/8" 7 Strand</p>
<p>Bail Option</p>	<p>Standard</p>
<p>Type</p>	<p>Automatic</p>
<p>Material</p>	<p>Steel</p>
<p>Shell Material</p>	<p>HS Aluminum Alloy</p>
<p>Jaw Material</p>	<p>HS Plated Steel</p>
<p>Yoke Material</p>	<p>Aluminum Alloy</p>

Bail Material	Stainless Steel
Assembly Rating (Ultimate)	11,500 lb (5215 kg)
Dimension A	11.9 in
Dimension B	7.1 in
Dimension C	1.7 in
Minimum Conductor Diameter	0.360 in
Maximum Conductor Diameter	0.405 in
Weight / Ea.	1.04 lbs
Standard Package	50
UPC Code	09635936310

Compressed Product Number
GDE5102



Dimensions

[Catalog Home](#)



[Warranty Info](#) | [Trademarks](#) | [Terms of Use](#)

All contents Copyright © 2007 Hubbell Power Systems, Inc. All rights reserved.

NOTE: Because Hubbell has a policy of continuous product improvement, we reserve the right to change design and specifications without notice.