

PLUGMOLD® MULTI-OUTLET USB CHARGING SYSTEM



Wiremold® Plugmold® Multi-Outlet Systems are now available in a tamper-resistant version with USB charging that is a great solution for adding the convenience of multiple outlets and USB charging to work or living spaces without the work required to install multiple outlets. The tamper-resistant feature provides safety for multi-user facilities, residential living spaces and kitchens. Designed to mount on wall surfaces, the low profile design is aesthetically pleasing and is available in 3', 5' and 6' lengths in a variety of colors and finishes.

CODE REFERENCE

- cULus Listed Base & Blank Cover:**
File E4376 Guide RJBT.
- Multi-Outlet Assemblies:**
File E15191 Guide PVGT.
- Fittings:**
File E41751 Guide RJPR.
- Base & Blank Cover**
Meets Article 386 of NEC.
- Plugmold Strips:**
Meets Article 380 of NEC.

Available Options

PART NUMBERS	LENGTH	FINISH	PART NUMBERS	LENGTH	FINISH	PART NUMBERS	LENGTH	FINISH
AL20GB306TRUSB	3' [914mm]	Aluminum	ALL USB PLUGMOLD			ALTERNATING USB PLUGMOLD		
AL20GB506TRUSB	5' [1.5m]		AL20USB312	3' [914mm]	Aluminum	AL20GB509TRUSBA	5' [1.5m]	Aluminum
BK20GB306TRUSB	3' [914mm]	Black	AL20USB512	5' [1.5m]	Aluminum	BK20GB509TRUSBA	5' [1.5m]	Black
BK20GB506TRUSB	5' [1.5m]		BK20USB312	3' [914mm]	Black	G20GB509TRUSBA	5' [1.5m]	Gray
BK20GB606TRUSB	6' [1.8m]	Gray	BK20USB512	5' [1.5m]	Black	S20GB509TRUSBA	5' [1.5m]	Stainless
G20GB306TRUSB	3' [914mm]		G20USB312	3' [914mm]	Gray	V20GB509TRUSBA	5' [1.5m]	Ivory
G20GB506TRUSB	5' [1.5m]	Stainless	G20USB512	5' [1.5m]	Gray	WH20GB509TRUSBA	5' [1.5m]	White
G20GB606TRUSB	6' [1.8m]		S20USB312	3' [914mm]	Stainless	AL20GB509TRUAC	5' [1.5m]	Aluminum
S20GB306TRUSB	3' [914mm]	Ivory	S20USB512	5' [1.5m]	Stainless	BK20GB509TRUAC	5' [1.5m]	Black
S20GB506TRUSB	5' [1.5m]		V20USB312	3' [914mm]	Ivory	G20GB509TRUAC	5' [1.5m]	Gray
S20GB606TRUSB	6' [1.8m]	White	V20USB512	5' [1.5m]	Ivory	S20GB509TRUAC	5' [1.5m]	Stainless
V20GB306TRUSB	3' [914mm]		WH20USB312	3' [914mm]	White	V20GB509TRUAC	5' [1.5m]	Ivory
V20GB506TRUSB	5' [1.5m]	White	WH20USB512	5' [1.5m]	White	WH20GB509TRUAC	5' [1.5m]	White
V20GB606TRUSB	6' [1.8m]							
WH20GB306TRUSB	3' [914mm]							
WH20GB506TRUSB	5' [1.5m]							
WH20GB606TRUSB	6' [1.8m]							

NOTE: For available custom options, consult factory.

COLOR OPTIONS

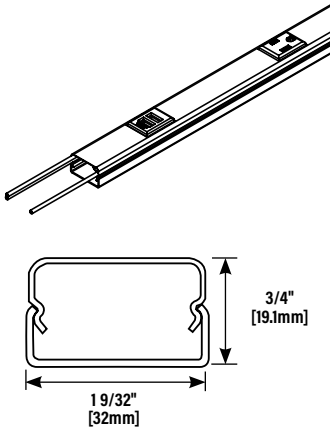


Plugmold Multi-Outlet USBs are available in a Black, Gray, Ivory, White, Stainless, or Aluminum unless otherwise specified in the part number description. Painted units have matching color receptacles. Stainless units have black receptacles and aluminum units have gray receptacles. Isolated ground (IG) units have orange receptacles.

Custom color options for housing are also available. Consult the factory for more information.

PLUGMOLD® 2000 SERIES STEEL MULTI-OUTLET USB SYSTEMS

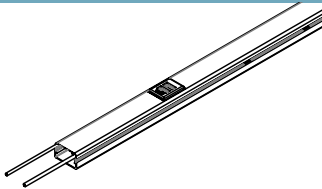
USB Plugmold



Available in 3' [914mm], 5' [1.5m] and 6' [1.8m] lengths with 6" [152mm] receptacle spacing. 15A tamper-resistant receptacles. 3-wire, #12 THHN (1 hot, 1 neutral, and insulated ground conductor rated for use on 20A circuits). .040" [1.0mm] steel housing. Packed 2 per carton. Each unit supplied with one (1) Coupling and two (2) Blank End Fittings. USB is 2.4 Amp (shared between 2 ports) 5VDC.

CATALOG NO.	FINISH	LENGTH		WIRING CONFIG	CENTER DISTANCE		OUTLETS QUANTITY & TYPE	
		Feet	[mm]		Inches	[mm]		
BK20GB306TRUSB	Black	3'	[915mm]	GB	6"	[152mm]	1 USB A, 5 Single	15A
BK20GB506TRUSB	Black	5'	[1.5m]	GB	6"	[152mm]	1 USB A, 9 Single	15A
BK20GB606TRUSB	Black	6'	[1.8m]	GB	6"	[152mm]	1 USB A, 11 Single	15A
G20GB306TRUSB	Gray	3'	[915mm]	GB	6"	[152mm]	1 USB A, 5 Single	15A
G20GB506TRUSB	Gray	5'	[1.5m]	GB	6"	[152mm]	1 USB A, 9 Single	15A
G20GB606TRUSB	Gray	6'	[1.8m]	GB	6"	[152mm]	1 USB A, 11 Single	15A
V20GB306TRUSB	Ivory	3'	[915mm]	GB	6"	[152mm]	1 USB A, 5 Single	15A
V20GB506TRUSB	Ivory	5'	[1.5m]	GB	6"	[152mm]	1 USB A, 9 Single	15A
V20GB606TRUSB	Ivory	6'	[1.8m]	GB	6"	[152mm]	1 USB A, 11 Single	15A
S20GB306TRUSB	Stainless	3'	[915mm]	GB	6"	[152mm]	1 USB A, 5 Single	15A
S20GB506TRUSB	Stainless	5'	[1.5m]	GB	6"	[152mm]	1 USB A, 9 Single	15A
S20GB606TRUSB	Stainless	6'	[1.8m]	GB	6"	[152mm]	1 USB A, 11 Single	15A
WH20GB306TRUSB	White	3'	[915mm]	GB	6"	[152mm]	1 USB A, 5 Single	15A
WH20GB506TRUSB	White	5'	[1.5m]	GB	6"	[152mm]	1 USB A, 9 Single	15A
WH20GB606TRUSB	White	6'	[1.8m]	GB	6"	[152mm]	1 USB A, 11 Single	15A

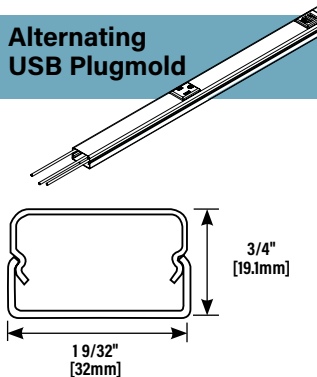
All USB Plugmold



Available in 3' [914mm], and 5' [1.5m] lengths with 12" spacing. USB is 2.4 Amps (shared between two ports) 5VDC. .040" [1.0mm] steel housing. Packed two per carton. Each unit supplied with one (1) Coupling and two (2) Blank End Fittings. Each USB module provides 2 ports with 2.4 Amps of shared charging. Please note the charging load on one module will not affect the charging performance of the other USB modules in the product.

CATALOG NO.	FINISH	LENGTH		WIRING CONFIG	CENTER DISTANCE		OUTLETS QUANTITY & TYPE	
		Feet	[mm]		Inches	[mm]		
BK20USB312	Black	3'	[915mm]	USB	12"	[305mm]	3 USB A Modules	
BK20USB512	Black	5'	[1.5m]	USB	12"	[305mm]	5 USB A Modules	
G20USB312	Gray	3'	[915mm]	USB	12"	[305mm]	3 USB A Modules	
G20USB512	Gray	5'	[1.5m]	USB	12"	[305mm]	5 USB A Modules	
V20USB312	Ivory	3'	[915mm]	USB	12"	[305mm]	3 USB A Modules	
V20USB512	Ivory	5'	[1.5m]	USB	12"	[305mm]	5 USB A Modules	
S20USB312	Stainless	3'	[915mm]	USB	12"	[305mm]	3 USB A Modules	
S20USB512	Stainless	5'	[1.5m]	USB	12"	[305mm]	5 USB A Modules	
WH20USB312	White	3'	[915mm]	USB	12"	[305mm]	3 USB A Modules	
WH20USB512	White	5'	[1.5m]	USB	12"	[305mm]	5 USB A Modules	

Alternating USB Plugmold



Available in 5' [1.5m] length with 9" spacing. 15A tamper-resistant receptacles. 3-wire, #12 THHN (1 hot, 1 neutral, and insulated ground conductor rated for use on 20A circuits). .040" [1.0 mm] steel housing. Packed two per carton. Each unit supplied with one (1) Coupling and two (2) Blank End Fittings. USB is 2.4 Amps (shared between two ports) 5VDC. Please note the charging load on one module will not affect the charging performance of the other USB modules in the product.

CATALOG NO.	FINISH	LENGTH		WIRING CONFIG	CENTER DISTANCE		OUTLETS QUANTITY & TYPE	
		Feet	[mm]		Inches	[mm]		
BK20GB509TRUSBA	Black	5'	[1.5m]	GB/USB	9"	[229mm]	3 Outlets/3 USB A Modules	
G20GB509TRUSBA	Gray	5'	[1.5m]	GB/USB	9"	[229mm]	3 Outlets/3 USB A Modules	
V20GB509TRUSBA	Ivory	5'	[1.5m]	GB/USB	9"	[229mm]	3 Outlets/3 USB A Modules	
S20GB509TRUSBA	Stainless	5'	[1.5m]	GB/USB	9"	[229mm]	3 Outlets/3 USB A Modules	
WH20GB509TRUSBA	White	5'	[1.5m]	GB/USB	9"	[229mm]	3 Outlets/3 USB A Modules	
BK20GB509TRUAC	Black	5'	[1.5m]	GB/USB	9"	[229mm]	3 Outlets/2 USB A & 1 USB C Modules	
G20GB509TRUAC	Gray	5'	[1.5m]	GB/USB	9"	[229mm]	3 Outlets/2 USB A & 1 USB C Modules	
V20GB509TRUAC	Ivory	5'	[1.5m]	GB/USB	9"	[229mm]	3 Outlets/2 USB A & 1 USB C Modules	
S20GB509TRUAC	Stainless	5'	[1.5m]	GB/USB	9"	[229mm]	3 Outlets/2 USB A & 1 USB C Modules	
WH20GB509TRUAC	White	5'	[1.5m]	GB/USB	9"	[229mm]	3 Outlets/2 USB A & 1 USB C Modules	

NOTE: Color codes: "V" for Ivory ScuffCoat™ finish, "BK" for Black ScuffCoat™ finish, "G" for Gray enamel finish, "WH" for white enamel finish, and "S" for stainless steel. Receptacle colors match extrusion colors except for stainless steel which has black receptacles and isolated ground versions which have orange receptacles.

All 2000 Series Plugmold products include two (2) 2010B Blank End Fittings and one (1) 2001 Base Coupling unless otherwise indicated in the product description.