

PLUGMOLD® 2000 SERIES™



Two-piece, low profile multiple outlet raceway. Low profile requires minimal space.

CODE REFERENCE

cULus Listed Base & Blank Cover:
File E4376 Guide RJBT.

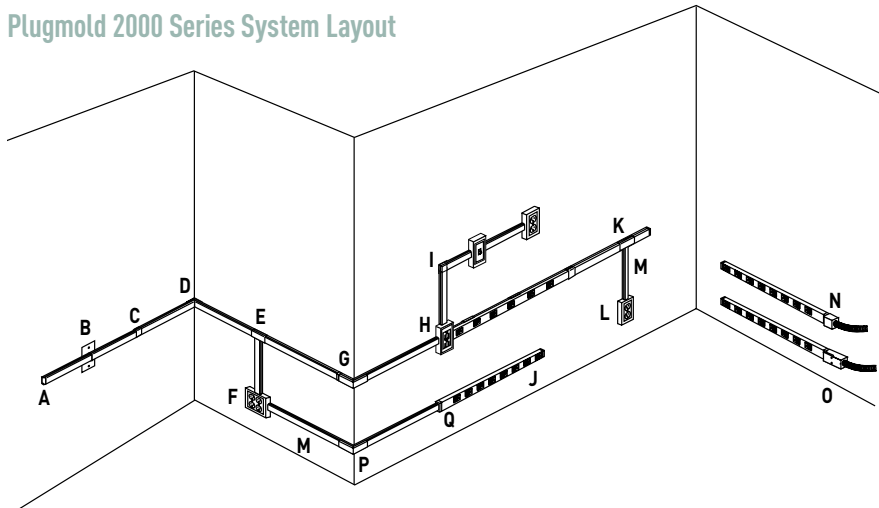
Multi-Outlet Assemblies:
File E15191 Guide PVGT.

Fittings:
File E41751 Guide RJPR.

Base & Blank Cover & Plugmold Series with Snapicoil Harness:
Meets Article 386 of NEC.
Meets Section 12-3032 of CEC.

Plugmold Wired Sections:
Meets Article 380 of NEC.
Meets Section 12-3032 of CEC.

Plugmold 2000 Series System Layout



NOTE: Illustration is for showing product applications only.

KEY

- A. V2010B Blank End Fitting
- B. V2051H Flush Plate Adapter
- C. V2006 Cover Clip
- D. 2017TC Internal Corner Coupling
- E. V2015 Tee Fitting
- F. V2048-2 Two-Gang Device Box
- G. V2018C Extern Elbow Cover
- H. V2048 Single-Gang Device Box
- I. V2011 90° Flat Elbow
- J. V20GB506 Plugmold Strip
- K. V2089 Side-Reducing Fitting
- L. V5748 Single-Gang Device Box
- M. V500 500 Series Raceway
- N. V2010A2 Entrance End Fitting
- O. V2010A3 Entrance End Fitting
- P. V518 External Elbow
- Q. V2089E End-Reducing Connector

COLOR OPTIONS



Plugmold® 2000 Series™ Part Numbers with a "V" prefix have an ivory finish. Part Numbers with a "G" prefix have a gray finish. Part Numbers with a "S" prefix have a stainless finish. Part Numbers with a "WH" prefix have a white finish. Part Numbers with a "BK" prefix have a black finish.

Custom color options are also available. Consult the factory for more information.

PLUGMOLD® 2000 SERIES™

Plugmold 2000 Series Wire Fill Capacities for Power

WIRE SIZE THHN/THWN	O.D.		NUMBER OF CONDUCTORS	
	Inches	(mm)	WITHOUT DEVICES	WITH PLUGMOLD RECEPTACLES
12 AWG	0.111	(2.8)	7	5
14 AWG	0.130	(3.3)	7	5

Plugmold 2000 Series Product Configuration Matrix

CAT. NO	FINISH	LENGTH		WIRING CONFIG.	OUTLETS (15A 125V NEMA 5-15R) CENTER DISTANCE		OUTLET QTY.
		Feet	(mm)		Inches	(mm)	
20GB206	S	2	(610mm)	GB	6	(152mm)	4 Single
20GB306	V, G, BK, WH, S	3	(915mm)	GB	6	(152mm)	6 Single
20IG306	V, G	3	(915mm)	IG	6	(152mm)	6 Single
20GB506	V, G, BK, WH, S	5	(1.5m)	GB	6	(152mm)	10 Single
20GB512	V, G, BK, WH, S	5	(1.5m)	GB	12	(305mm)	5 Single
20GBA512	V, G	5	(1.5m)	GBA	12	(305mm)	5 Single
20IG512	V, G	5	(1.5m)	IG	12	(305mm)	5 Single
20GB606	V, G, BK, WH, S	6	(1.8m)	GB	6	(152mm)	12 Single
20GB609	V, G	6	(1.8m)	GB	9	(229mm)	8 Single
20GB612	V, G, BK, WH, S	6	(1.8m)	GB	12	(305mm)	6 Single
20GB618	V, G	6	(1.8m)	GB	18	(457mm)	4 Single
20GBA609	V, G	6	(1.8m)	GBA	9	(229mm)	8 Single
20GBA612	V, G	6	(1.8m)	GBA	12	(305mm)	6 Single
20GBA618	V, G	6	(1.8m)	GBA	18	(457mm)	4 Single
20IG606	V, G	6	(1.8m)	IG	6	(152mm)	12 Single

NOTE: Ivory, gray, white, and black Plugmold Series in GB and GBA wiring have matching color receptacles. Stainless steel Plugmold Series has black receptacles and Plugmold Series with IG wiring has orange receptacles.

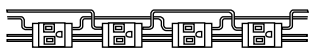
Plugmold 2000 Series 48' and 50' (14.6m & 15.2m) Lengths – Ivory, Gray Finish

CAT. NO	LENGTH		WIRING CONFIG.	OUTLETS (15A 125V NEMA 5-15R) CENTER DISTANCE			2000B AND 2000C HOLE CUT COVER LENGTH		
	Feet	(mm)		Inches	(mm)	QTY.	QTY.	Feet	(mm)
20GB12	48	(14.6)	GB	12	(305)	48 Single	8	6	(1.830)
20GB18	48	(14.6)	GB	18	(457)	32 Single	8	6	(1.830)
20GB30	50	(15.2)	GB	30	(760)	20 Single	10	5	(1.525)
20GBA12	48	(14.6)	GBA	12	(305)	48 Single	8	6	(1.830)

Plugmold 2000 Series Wiring Configuration



GB SERIES:
3-wire #12 THHN solid (1 hot, 1 neutral, and 1 ground), 1-circuit; has insulated grounding conductor.



GBA SERIES:
4-wire #12 THHN solid (2 hot, 1 neutral, and 1 ground), 2-circuits; outlets wired alternately; has insulated grounding conductor.

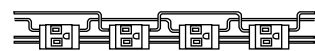


IG SERIES:
3-wire #12 THHN solid (1 hot, 1 neutral, and 1 ground), 1 circuit; has insulated-isolated grounding conductor, orange receptacle.

WITH SNAPICOIL HARNESS



GB SERIES:
3-wire #12 THHN solid (1 hot, 1 neutral, and 1 ground), 1-circuit; has insulated grounding conductor.



GBA SERIES:
4-wire #12 THHN solid (2 hot, 1 neutral, and 1 ground), 2-circuits; outlets wired alternately; has insulated grounding conductor.



V20GB612

V20GB306

V20GB12

NOTE: Snapicoil Reels on custom order. Snapicoil Harness is available on reels if lengths greater than 50' are needed, or if multiple lengths are required for production-type jobs. The maximum length per reel is 240' for Snapicoil Harness with outlets 12" and 18" on centers; 500' with outlets 30" on center. Packaging includes the necessary number of lengths of base, holecut cover, wire clips, and couplings for complete installation. Price and delivery information should be obtained prior to specifying or ordering. To specify or order, add R to the Snapicoil Harness number. Ex: V20GB12R. Other outlet spacings available on custom order.

Receptacles are made from high impact thermoplastic. Plugmold 2000 Series is supplied with two (2) 2010B Blank End Fittings and (1) 2001 Base Coupling.