

1. PRODUCT SUMMARY

The Primex F-Connector Keystone fits in standard wall and surface mount plates and provides quick and easy coaxial connection.

These keystones are UL-Listed and offer standard connectivity for CATV applications.

Pairing them with Primex wall plates in 1-4 port configurations offers versatile installation options.

2. PRODUCT DIMENSIONS

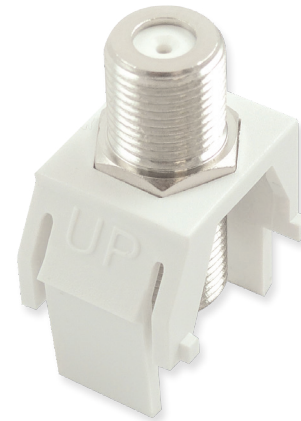
SIZE: Fits standard wall plates

3. FEATURES & BENEFITS

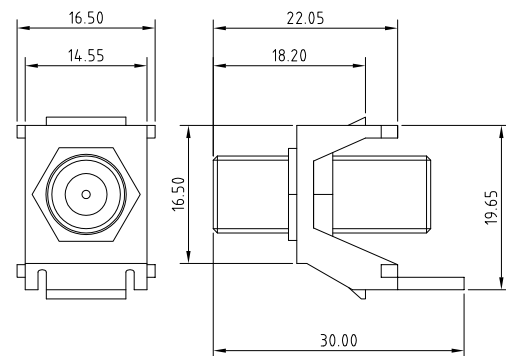
- Quick and easy coaxial connection in standard white. Suitable for applications ranging from 5MHz - 3GHz.
- Female-to-female adapters, UL/CUL listed.
- Pairs with Primex wall and surface mount plates in 1-4 port configurations.
- MATERIAL:
 - Housing: Brass, Nickel plating.
 - Seizing Pin: 360° Beryllium Bronze with Gold plating. Accepts center conductors: 0.64mm to 1.07mm dia.
 - Insulator: Dielectric Nylon
 - Nut: Iron-plated with Nickel over Copper.
 - Plastic: ABS 94V-0
- GENERAL SPECIFICATIONS:
 - Frequency range: DC- 3 GHz
 - Insertion loss: < 0.2 dB
 - Return loss: > 30 dB
 - Contact resistance: < 4 Milliohms
 - Holding force: >160gm (initial); >120gm (after insertion)
 - Housing supports 2.2Kg force min. applied to insulator.
 - Operating Temp: -40C to 55C
 - Relative humidity: 0% to 93%

4. CONFIGURATIONS

Part #	Description
125-0961-WT	F-connector Keystone



Fits standard wallplates (sold separately)



FOR MORE INFORMATION CONTACT:

1.604.881.7875 1.604.881.7835

www.primex.com

