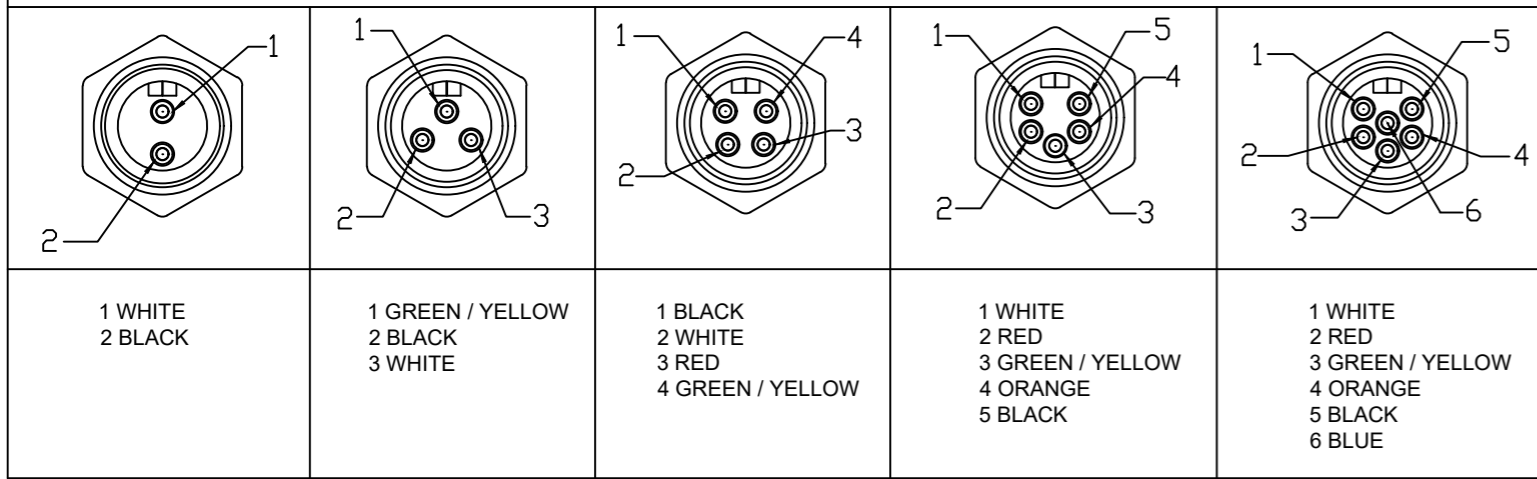


### FACE VIEW - MALE INSERT



### PART NO. MATRIX

**1R3006A20F020**

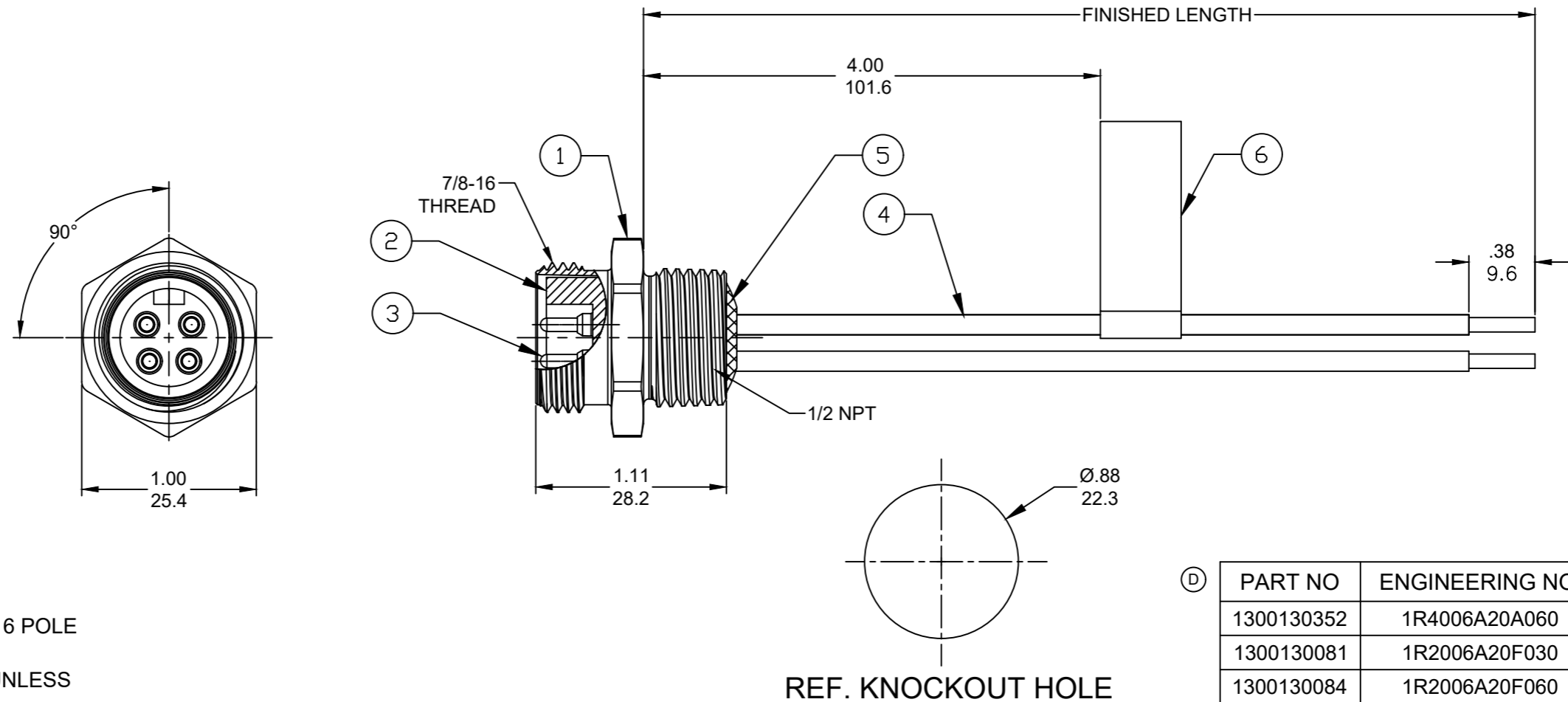
↑ POLES 2-6      ↑ FINISHED LENGTH:

A120= 12 IN.  
F020= 2 FEET  
F100= 10 FEET

M005= 0.5 METER  
M010= 1 METER  
M100= 10 METER

CABLE LENGTH TOLERANCES	
>.3M [1FT]:	+19mm-0 [+0.75in-0]
.3 - .9M [1 - 3FT]:	+44.5mm-0 [+1.75in-0]
.9 - 1.8M [3 - 6FT]:	+55.6mm-0 [+2.19in-0]
1.8 - 3.7M [6 - 12FT]:	+88.9mm-0 [+3.50in-0]
3.7 - 7.3M [12 - 24FT]:	+165.1mm-0 [+6.50in-0]
7.3-14.6M [24 - 48FT]:	+317.5mm-0 [+12.50in-0]
14.6 - 30.5M [48-100FT]:	+622.3mm-0 [+24.50in-0]
OVER 30M [100FT]	+2% OF FINISHED LENGTH

- NOTES:
- MATERIAL: AS NOTED
  - FINISH: AS NOTED
  - ELECTRICAL:  
VOLTAGE: 2 THRU 6P 600V PER UL 2238  
2 & 3P 500V PER IEC 60664  
4P 483V PER IEC 60664  
5 & 6P 400V PER IEC 60664  
CURRENT: 2 & 3 POLE: 13A  
4 POLE: 10A  
5 & 6 POLE: 8A
  - TEMP RATING: -20°TO +105°C
  - PROTECTION: IP67 (WHEN MATED)
  - UL RECOGNIZED, FILE: E152210 FOR 2 TO 6 POLE  
CSA CERTIFIED FILE: LR6837 (D)
  - ALL DIMENSIONS ARE FOR REFERENCE UNLESS TOLERANCED OR NOTED OTHERWISE



PART NO	ENGINEERING NO.	FINISHED LENGTH
1300130352	1R4006A20A060	6 IN [0.15M]
1300130081	1R2006A20F030	3 FT [0.9M]
1300130084	1R2006A20F060	6 FT [1.8M]
1300131166	1R5006A20M030	3.0M [ 9 FT 10 IN]
1300130018	1R6006A20M040	4.0M [13 FT 1 IN]

ITEM	COMPONENT	MATERIAL	FINISH
6	LABEL	VINYL	BLACK/YELLOW
5	POTTING	EPOXY	
4	WIRE, 16 AWG UL (1015)	PVC INSULATION	SEE FACE VIEW
3	CONTACT PIN	COPPER ALLOY	GOLD PLATED
2	INSERT	TPE	YELLOW
1	RECEPTACLE SHELL	ZINC DIE-CAST	BLACK

FUNCTIONAL SYMBOLS F=0 E=0 P=0	THIS DRAWING CONTAINS INFORMATION THAT IS PROPRIETARY TO MOLEX ELECTRONIC TECHNOLOGIES, LLC AND SHOULD NOT BE USED WITHOUT WRITTEN PERMISSION	CURRENT REV DESC: ITEM #2 WAS PVC, CSA ADDED IN NOTES & MATERIAL TABLE MODIFIED		<b>molex</b>				
	DIMENSION UNITS: INCH/MM	SCALE: ---	EC NO: 641453					
	GENERAL TOLERANCES (UNLESS SPECIFIED)		DRWN: ABENJAMINLW 2020/05/21	MINI CHANGE RECEPTACLE, A-SIZE 2 TO 6P, MALE, STRAIGHT, SINGLE KEY, 16 AWG				
	4 PLACES ±---	±---	CHK'D: RSTONE 2020/07/20					
DIVISIONAL SYMBOLS		APPR: BWOODMAN 2020/07/27	PRODUCT CUSTOMER DRAWING					
1 PLACE ±---	±---	INITIAL REVISION:						
		DRWN: RSTONE 2016/08/01	DOCUMENT NUMBER: SD-130013-120		DOC TYPE: PSD	DOC PART: 001	REVISION: D	
		APPR: TWOLDEGE 2016/08/19			MATERIAL NUMBER: SEE_CHART		CUSTOMER: GENERAL MARKET	
DRAFT WHERE APPLICABLE MUST REMAIN WITHIN DIMENSIONS		THIRD ANGLE PROJECTION	DRAWING: B-SIZE	SERIES: 130013				