

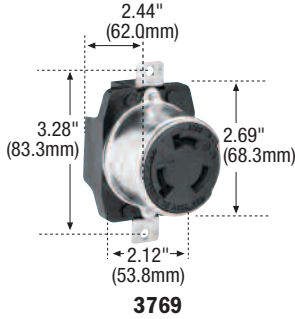


Industrial Specification Grade 50A Hart-Lock® Locking Devices

3-Pole, 4-Wire Grounding
Non-NEMA

50A 600V/AC 250V/DC Non-NEMA Hart-Lock® Locking Devices

Locking Receptacles



FEATURES

- Rugged glass filled nylon construction stands up to toughest environments.
- Heavy gauge 0.078" (1.98mm) steel shells.
- Tough corrosion resistant finish.
- Rubber parts comply with MIL-R-3065, RG20.
- Pressure type terminals.
- 7379 is for replacement purposes only, use 3769 in new applications.

Rating A	V/AC	NEMA	Description	Color	Catalog No.	
					Single	Receptacle
50	600V/AC 250V/DC	Non-NEMA	Industrial	Black		3769
			Industrial	Black		7379

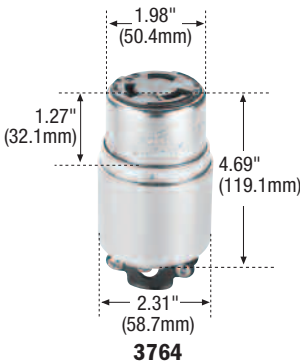


Locking Plugs & Connectors

FEATURES

- Internal construction consists of rugged glass reinforced nylon.
- Marine units are corrosion resistant including stainless steel shells; armored versions feature stainless steel housing for added corrosion protection.
- Armored models feature metal cable clamps providing for a large range of cable sizes and durable strain relief.
- Neoprene gland seals entry of dirt and moisture into device interiors.
- Nylon housing features rugged heavy duty external cable clamp.
- Terminal lugs designed for #6 wire.
- Deep, tapered wire wells for positive conductor isolation.
- 7764E/7765E are for replacement purposes only. Use 3764E/3765E for new applications.

Rating A	V/AC	NEMA	Description/Cord Dia.	Color	Catalog No.	
					Plug	Connector
50	600V/AC 250V/DC	Non-NEMA	Nylon Industrial 0.68-1.13" (17.3mm-28.6mm)	Black	3765E	3764E
			Nylon Industrial 0.68-1.13" (17.3mm-28.6mm)	Black	7765E	7764E
			Armored Industrial 0.68-1.13" (17.3mm-28.6mm)	Black	3765	3764
			Armored Industrial Standard 0.68-1.13" (17.3mm-28.6mm)	Black	7765	7764



N-67 Locking Devices

TESTING & CODE COMPLIANCE

· Listed to UL 498, file nos.: E2369 (Receptacles), E3663 (Plugs, Connectors).
· Plugs & Connectors: cUL Listed to CSA C22.2 no. 42, (file no. E3663).

MATERIAL CHARACTERISTICS

Receptacles: Glass-filled Nylon. Plugs & Connectors: Glass-filled Nylon and Nylon, Plated or Stainless Steel. Armored Plugs & Connectors: Glass-filled Nylon, Plated or Stainless Steel.
Environmental:
Flammability per UL 94, V0 rated.
Temperature Rating:
Receptacles: -40°C to 105°C.
Plugs & Connectors: -40°C to 95°C.



RECEPTACLE
3769
CONNECTOR
3764



PLUG
3765



RECEPTACLE
7379
CONNECTOR
7764



PLUG
7765