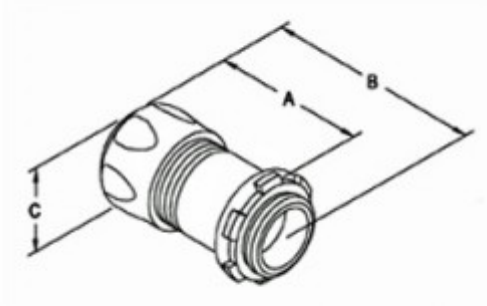


Connector, Compression, Steel, Insulated Throat, Size 2-1/2 Inch

Used to join EMT to box or enclosure. Concrete tight.

[Download Photo](#)[Download Drawing](#)

Product details

Catalog Number:	256-I
UPC Number:	781747102560
Primary Materials:	Steel
Finish:	Zinc electro-plate
Trade Size:	2-1/2"
Unit Quantity:	2
Standard Package Quantity:	10

Dimensions

Trade Size:	2-1/2"
Dimensions A:	2-7/8
Dimensions B:	2-11/16
Dimensions C:	3-7/16

Certifications & Codes

Federal Specification Number: A-A-50553

UL File Number: E24001

UNSPSC: 39121434

Nema Standard: FB-1

UL Standard: UL-514B