



www.Source1Parts.com

S1-2EE04708124 DOWNFLOW ECONOMIZER

HVAC SERVICE PARTS

Supersedes: 035-24191-001 Rev. A (1114)

035-24191-001 Rev. B (0315)

1 of 2

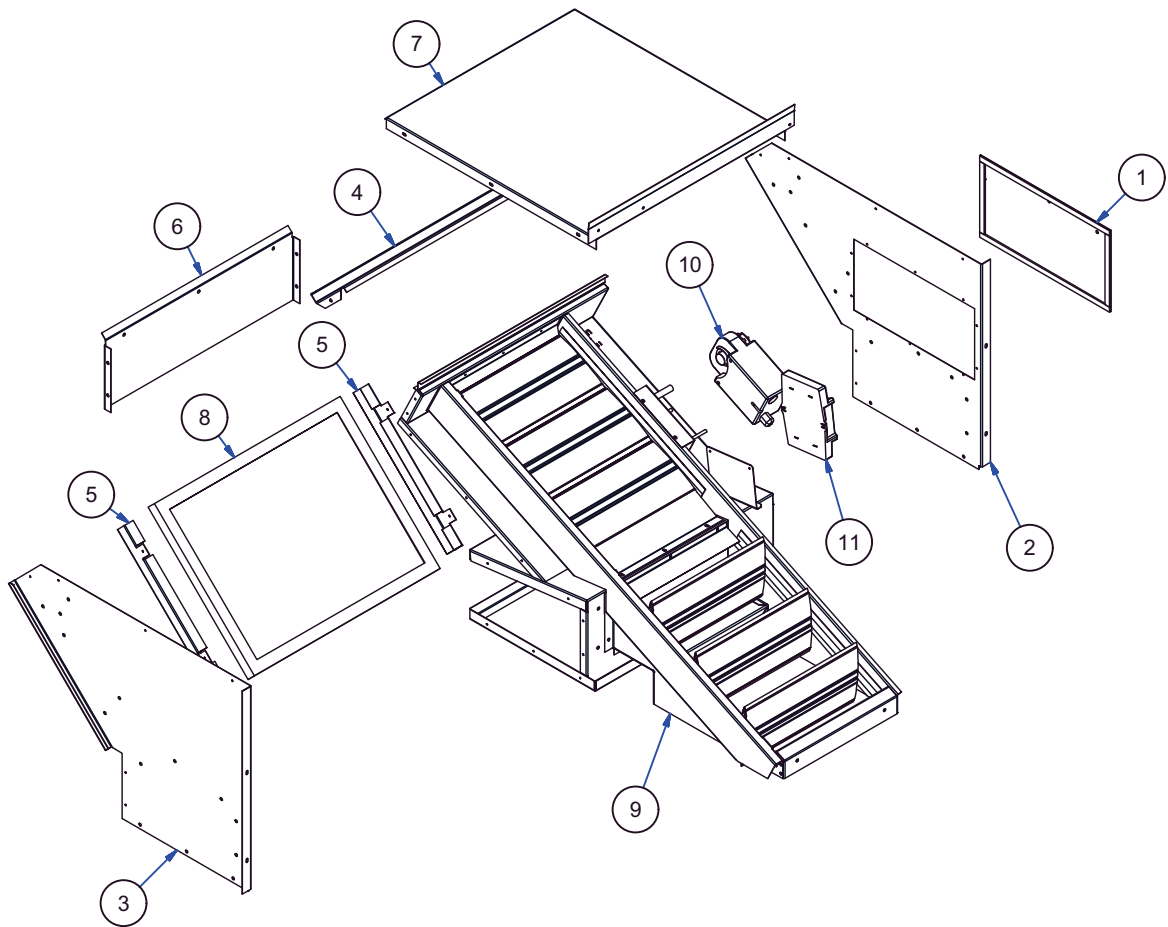


Figure 1: Downflow Economizer

ITEM	DESCRIPTION	S1-2EE04708124A
1	Door Side Panel	S1-02647784000
2	Hood Side 1	S1-02647785000
3	Hood Side 2	S1-02647786000
4	Filter Access Panel	S1-02647787000
5	Filter Channel (2 Req'd)	S1-02647788000
6	Rear Panel	S1-02647789000
7	Top Panel	S1-02647790000
8	Filter Mist Element	S1-02647791000
9	Damper Frame Assembly	Replace Economizer
10	Actuator	S1-02547236000
11	J-Controller	S1-03103019000
12*	Hardware Bag	S1-02647793000

NOTE: *Not Shown
 New replacement parts shown in **bold** face type at the first printing of parts list dated 3/15.
 Major components and suggested stocking items are shown with shaded item number.
 "←" Across from row indicates a change in that row.
 --- Not applicable to specified model.



TO ORDER AUTHORIZED FACTORY REPLACEMENT PARTS - Contact your Source1 HVAC Parts Distributor or visit our website at **www.Source1Parts.com** for a Distributor and Dealer listing.

Subject to change without notice. Published in U.S.A.
Copyright © 2015 by Johnson Controls, Inc. All rights reserved.

035-24191-001 Rev. B (0315)
Supersedes: 035-24191-001 Rev. A (1114)

**York International Corp.
5005 York Drive
Norman, OK 73606**