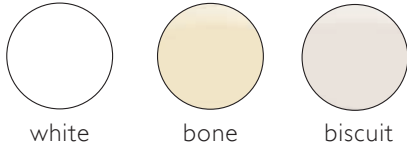


# RN 6032 60" x 32" x 20"

AirBath option will add 1" to height of unit

## Premium Cast Acrylic



white

bone

biscuit

Cut-Out  
58" x 30"

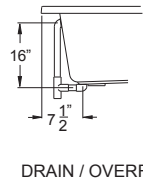
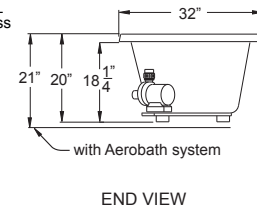
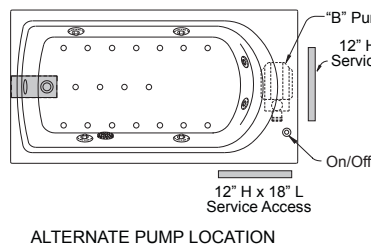
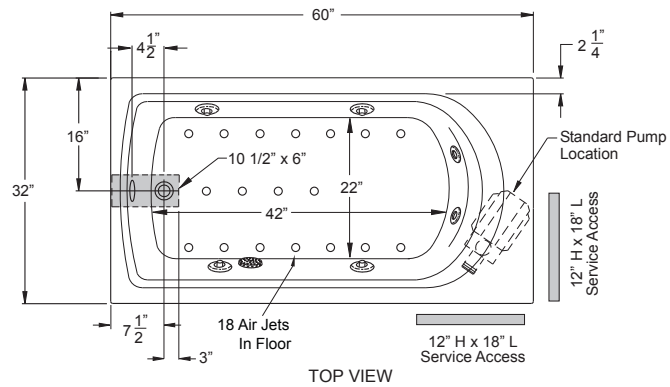
Operating Capacity  
39 Gallons

Shipping Weight:  
Soaker - 153 lbs  
Whirlpool - 183 lbs

Hydro-Massage System  
4 Premium Power-Flow Adjustable Jets  
2 Lumbar Ease-Flow Adjustable Jets

## Optional Features

- Skirt  
Factory installed - Aventura  
Field or factory installed - Deco
- Acrylic Nailing Flange  
Yes
- In-Line Heater  
Yes



CONTRACTOR ADVANTAGE  
soaker tubs | whirlpools | air tubs



soaker tub



whirlpool



airtub

