



D-Series | Solvent Weld DWV Fittings

Injection Molded in Sizes 4" – 12"

Fabricated in Sizes 10" – 24"

The D-Series is a complete line of Solvent Weld DWV Schedule 40 fittings used in drain, waste and vent applications. Engineered to perform in the harshest environments and designed and manufactured to consistent dimensions, these fittings deliver a securely sealed, water-tight joint connection on every installation. Only virgin compounds are used in our injection molding process to ensure the highest quality and durability.

All fittings are thoroughly tested for joint tightness, internal stress and stability, color and uniformity. Our solvent weld DWV fittings conform to all municipal, federal, and military requirements and are available in a wide range of sizes.

PVC backwater valves are designed to be integrated with this series.

Design Advantages

- Consistent and accurate dimensions for easy installation saving jobsite labor
- Designed to fit DWV Schedule 40 pipe
- Durable and long lasting
- Triple Certification Listing

Applications

- DWV applications connecting to Schedule 40 pipe.

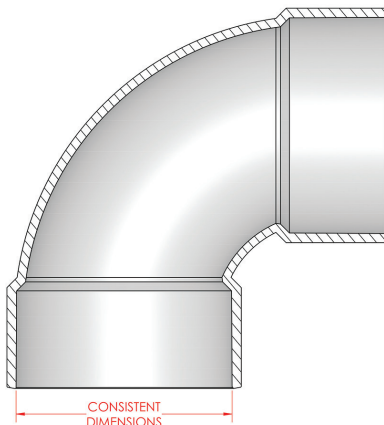
Typical Uses

Drainage

- Commercial or industrial
- Parking deck
- Bridges
- Roofs
- Sewer connections

Sewer Connections

ATTENTION: Our fittings are not to be used or tested with compressed air or gases.



The D-Series is a complete line of DWV fittings designed for use with Schedule 40 or DWV pipe applications.

Short Term Specifications

4" through 12" injection molded solvent weld Drain, Waste, and Vent (DWV) fittings shall be manufactured in accordance with ASTM D2665, F1866, F2135, and CSA B181.2, as applicable. Solvent weld DWV fittings shall be certified by the National Sanitation Foundation (NSF) to meet ASTM D2665, F1866, and ASTM F2135, as applicable; and by the Canadian Standards Association (CSA) to meet CSA B181.2 as applicable.

They shall be certified by the International Association of Plumbing and Municipal Officials (IAPMO) to meet the requirements of the Uniform Plumbing Code (UPC), as applicable.

Certification

Our solvent weld DWV molded fittings are third party tested and listed by NSF, UPC and CSA to meet specifications defined in ASTM D2665, ASTM F1866 and CSA B181.2, where applicable. Fabricated fittings conform to ASTM F1866.

