

754PXLF PEX Ball Valve

Specification Sheet

1/2" - 1"

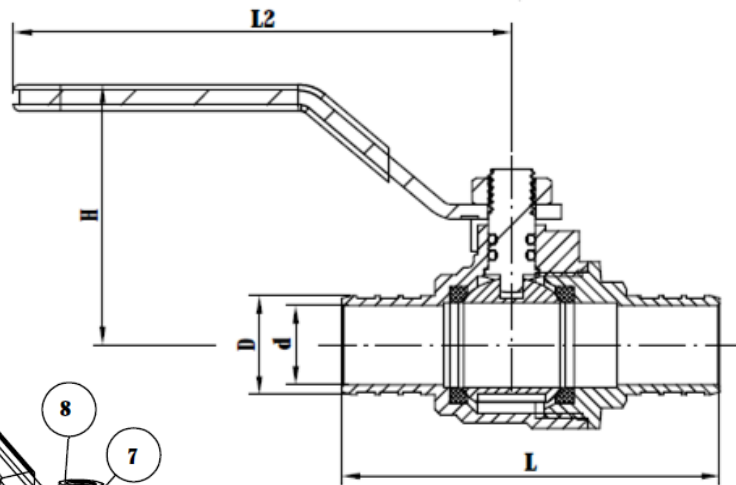
FEATURES & BENEFITS

- Lead Free Brass
- 600 WOG
- Full Port
- NSF Approved
- 1/4 Turn With Packing Nut
- Two Piece Body
- Blow-Out Proof Stems
- With Waste Drain & Drop Ear Option Available
- Sizes 1/2" - 2"



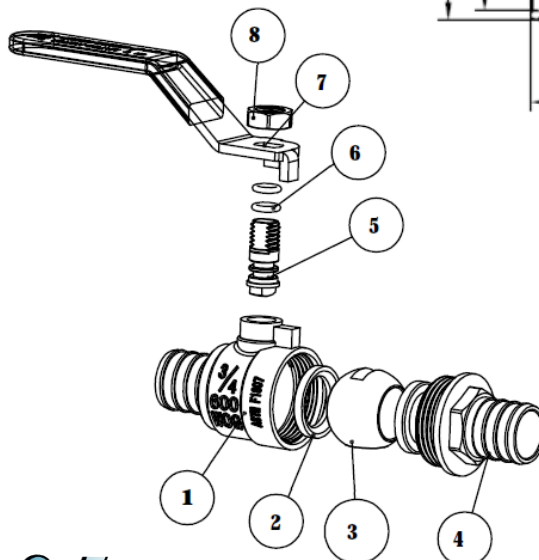
DIMENSIONS

Part #	Size	D	d	H	L	L2
754PX03LF	1/2"	0.47	0.35	1.59	2.36	3.34
754PX04LF	3/4"	0.67	0.53	1.70	2.53	3.34
754PX05LF	1"	0.86	0.71	2.03	3.12	4.02



MATERIAL SPECIFICATIONS

No.	Part	Material
1	Body	Brass
2	Seat Ring	PTFE
3	Ball	Brass
4	Bonnet	Brass
5	Stem	Brass
6	O-Ring	NBR
7	Handle	Iron
8	Nut	Iron



MATCO-NORCA
 Global sourcing. National compliance. Local service.

754PXLF PEX Ball Valve

Specification Sheet

1-1/4" – 2"

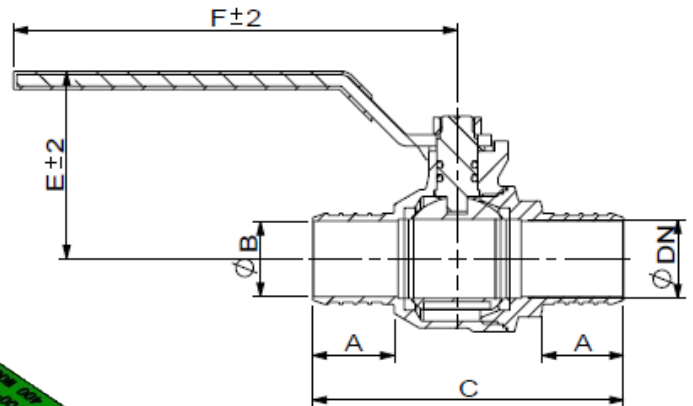
FEATURES & BENEFITS

- Lead Free Brass
- 600 WOG
- Full Port
- NSF Approved
- 1/4 Turn With Packing Nut
- Two Piece Body
- Blow-Out Proof Stems
- With Waste Drain & Drop Ear Option Available
- Sizes 1/2" - 2"



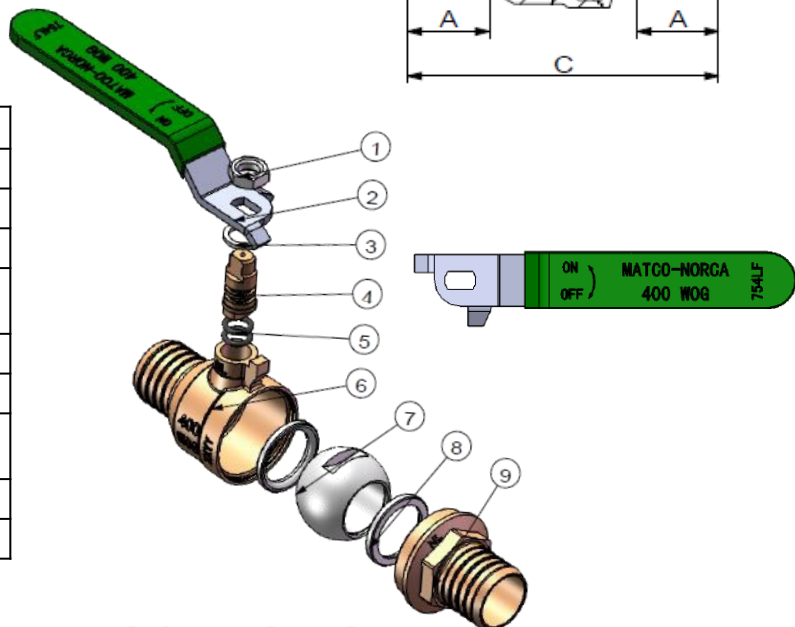
DIMENSIONS

Part #	Size	DN	A	B	C	E	F
754PX06LF	1-1/4"	0.91	0.94	0.87	3.59	2.16	5.12
754PX07LF	1-1/2"	0.99	1.15	1.02	4.13	2.21	5.12
754PX08LF	2"	1.34	1.50	1.37	5.32	2.49	5.12



MATERIAL SPECIFICATIONS

No.	Part	Material
1	Hex Nut	Steel
2	Handle	Steel
3	Washer	PTFE
4	Stem	1-1/4"-1-1/2" - Brass C46500 2" - Brass C36000
5	O-Ring	EPDM
6	Body	Brass C46500
7	Ball	1-1/4"-1-1/2" - C.P.Brass C46500 2" - Stainless Steel
8	Seats	PTFE
9	Bonnet	Brass C46500



MATCO-NORCA
Global sourcing. National compliance. Local service.

754PXDELFP EX Ball Valve With Waste Drain & Drop Ear

Specification Sheet

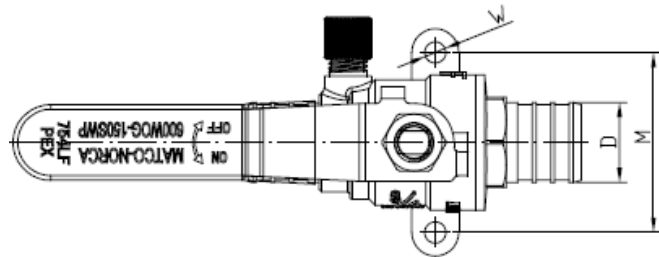
FEATURES & BENEFITS

- Lead Free Brass
- 600 WOG
- Full Port
- NSF Approved
- 1/4 Turn With Packing Nut
- Two Piece Body
- Blow-Out Proof Stems
- With Waste Drain & Drop Ear Option Available
- Sizes 1/2" - 1"



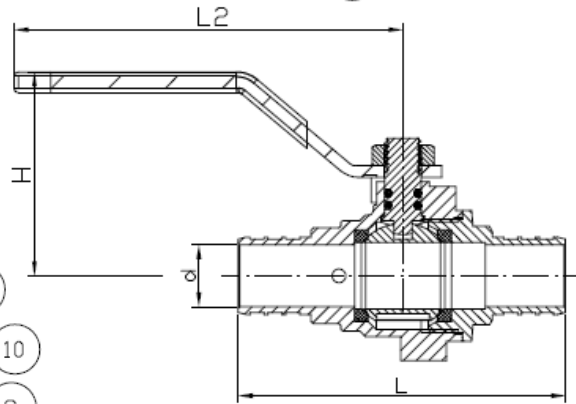
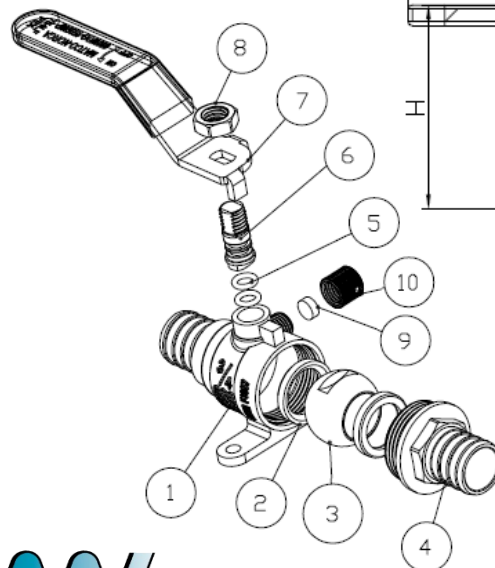
DIMENSIONS

Part #	Size	D	d	H	L	L2	M	W
754PXDE03LF	1/2"	0.47	0.35	1.59	2.36	3.34	1.24	0.18
754PXDE04LF	3/4"	0.67	0.53	1.70	2.53	3.34	1.50	0.18
754PXDE05LF	1"	0.86	0.71	2.03	3.12	4.02	1.81	0.18



MATERIAL SPECIFICATIONS

No.	Part	Material
1	Body	Brass
2	Seat Ring	PTFE
3	Ball	Brass
4	Bonnet	Brass
5	Stem	Brass
6	O-Ring	NBR
7	Handle	Iron
8	Nut	Iron
9	Gasket	NBR
10	Plug	NBR



MATCO-NORCA
Global sourcing. National compliance. Local service.