

Application:

CGB, CGD and CGE cord and cable fittings with neoprene bushing are for use with portable cords and Types MV (unarmored), PLTC, SE (round), TC and UF cables. CGB, CGD and CGE cord and cable fittings are installed to:

- provide means for passing a cord, cable (unarmored) or flexible conduit into an enclosure, through a bulkhead or into a rigid conduit
- form an environmental seal for cord or unarmored round cables
- form a secure connection or termination for flexible cord, cable (unarmored), or flexible conduit

Features:

- Rugged construction protects cord and cable from damage.
- Compact, permitting close grouping of several cords and/or cables
- Tightening one nut makes watertight seal
- Large range of NPT sizes for use with any conduit system
- Available for straight, 45° or 90° entrance
- Many combinations of gland nuts and bushings can be used to make up connectors, provided parts of the same form are used together

Standard Materials:

- CGB series – Form A through Form D bodies and gland nuts – steel. Form E & F bodies and gland nuts – *Feraloy*® iron alloy
- CGD & CGE series – all bodies are *Feraloy* iron alloy. Form A through Form D gland nuts – steel. Form E & F gland nuts – *Feraloy* iron alloy.
- Bushing – neoprene

Standard Finishes:

- Steel – zinc electroplate with chromate finish coat
- *Feraloy* – electrogalvanized and aluminum acrylic paint

Size Ranges:

- Cable O.D. – .125" to 2.500"
- NPT thread – 3/8" to 3"

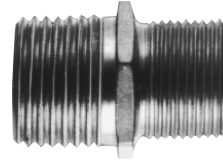
Certifications and Compliances:

- UL Standard: 514B
- NEC: Class I, Division 2*; Class II, Class III
- Wet locations
- CSA Standard: C22.2 No. 18, 25
- CEC: Class II, Division 1, Groups E,F,G; Class II, Division 2, Groups F,G; Class III

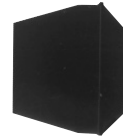
Complete with gland nut and Neoprene bushing



Body only



Neoprene bushing



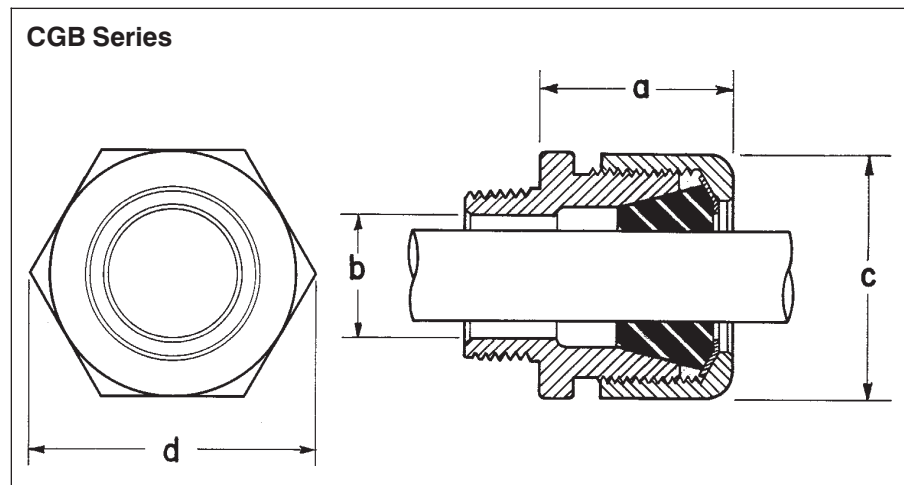
CGB With Gland Nut and Tapered Neoprene Bushing ‡

Male Thread NPT Trade Size	Form	Cord Range Dia.	Inside Body Dia.	Complete with Gland Nut & Neoprene Bushing ◆ Cat. #	Body Only Cat. #	Neoprene Bushing Cat. #
3/8	A	.125 to .250	.469	CGB3814	CGB:17123B	BUSH214
3/8	A	.250 to .375	.469	CGB3816	CGB:17123B	BUSH216
3/8	A	.375 to .437	.469	CGB3817	CGB:17123B	BUSH217
3/8	B	.125 to .250	.500	CGB3892	CGB:4315A	BUSH92
3/8	B	.250 to .375	.500	CGB3893	CGB:4315A	BUSH93
3/8	B	.375 to .500†	.500	CGB3894	CGB:4315A	BUSH94
1/2	A	.125 to .250	.469	CGB114§	CGB:17122B	BUSH214
1/2	A	.250 to .375	.469	CGB116§	CGB:17122B	BUSH216
1/2	A	.375 to .437	.469	CGB117§	CGB:17122B	BUSH217
1/2	B	.125 to .250	.625	CGB192§	CGB:0104355	BUSH92
1/2	B	.250 to .375	.625	CGB193§	CGB:0104355	BUSH93
1/2	B	.375 to .500	.625	CGB194§	CGB:0104355	BUSH94
1/2	B	.500 to .625	.625	CGB195§	CGB:0104355	BUSH05
1/2	C	.625 to .750†	.625	CGB196§	CGB:1702A	BUSH96
1/2	C	.750 to .875†	.625	CGB197§	CGB:1702A	BUSH97
3/4	B	.125 to .250	.688	CGB292§	CGB:0104438§	BUSH92
3/4	B	.250 to .375	.688	CGB293§	CGB:0104438§	BUSH93
3/4	B	.375 to .500	.688	CGB294§	CGB:0104438§	BUSH94
3/4	B	.500 to .625	.688	CGB295§	CGB:0104438§	BUSH05
3/4	C	.625 to .750†	.750	CGB296§	CGB:4318A	BUSH96
3/4	C	.750 to .875†	.750	CGB297§	CGB:4318A	BUSH97
3/4	D	.875 to 1.000†	.813	CGB298§	CGB:4320A	BUSH98

Continued on page 65.

Dimensions (see next page)

* ‡ † ◆ For description of symbols, see page 65.



Cord and Cable Fittings

**Straight Body Male Thread
Sealing Gaskets and Locknuts
Sizes 1/2" – 1"**

Cl. I, Div. 2*, Groups A,B,C,D
Cl. II, Div. 1, Groups E,F,G
Cl. II, Div. 2, Groups F,G
Cl. III
Wet Locations*

5F

Complete with locknut, sealing gasket, gland nut and Neoprene bushing



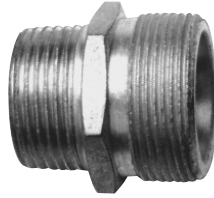
Locknut



Sealing gasket



Body only



Neoprene bushing



Gland nut



Wire mesh grip



5F
Cable and
Cord Fittings

**CGB-SG With Locknut,
Sealing Gasket, Gland Nut and
Tapered Neoprene Bushing ‡**

Complete with
Locknut, Sealing
Gasket, Gland

Thread Size	Form	Cord Range Dia.	Inside Body Dia.	Complete with Locknut, Sealing Gasket, Gland Nut & Neoprene Bushing ◆ Cat. #	Sealing Gasket Cat. #	Body Only Cat. #	Neoprene Bushing Cat. #	Gland Nut Cat. #	Wire Mesh Grip ◆ Cat. #
1/2	B	.125 to .250	.625	CGB192-SG	SG1	CGB:0104355	BUSH92	NUT94	
1/2	B	.250 to .375	.625	CGB193-SG	SG1	CGB:0104355	BUSH93	NUT94	
1/2	B	.375 to .500	.625	CGB194-SG	SG1	CGB:0104355	BUSH94	NUT94	RPE417-115
1/2	B	.500 to .625	.625	CGB195-SG	SG1	CGB:0104355	BUSH05	NUT94	RPE417-116
1/2	C	.625 to .750†	.625	CGB196-SG	SG1	CGB:1702A	BUSH96	NUT95	RPE417-117
1/2	C	.750 to .875†	.625	CGB197-SG	SG1	CGB:1702A	BUSH97	NUT95	RPE421-119
3/4	C	.625 to .750†	.750	CGB296-SG	SG2	CGB:4318A	BUSH96	NUT95	RPE417-117
3/4	C	.750 to .875†	.750	CGB297-SG	SG2	CGB:4318A	BUSH97	NUT95	RPE421-119
3/4	D	.875 to 1.000†	.813	CGB298-SG	SG2	CGB:4320A	BUSH98	NUT98	16676N
1	C	.500 to .625	.969	CGB395-SG	SG3	CGB:4319A	BUSH95	NUT95	RPE417-129
1	C	.625 to .750	.969	CGB396-SG	SG3	CGB:4319A	BUSH96	NUT95	RPE417-117
1	C	.750 to .875	.969	CGB397-SG	SG3	CGB:4319A	BUSH97	NUT95	RPE421-119
1	D	.875 to 1.000†	1.031	CGB398-SG	SG3	CGB:4321A	BUSH98	NUT98	16676N
1	D	1.000 to 1.188†	1.031	CGB399-SG	SG3	CGB:4321A	BUSH99	NUT98	RPE421-121
1	D	1.188 to 1.375†	1.031	CGB3911-SG	SG3	CGB:4321A	BUSH911	NUT98	RPE433-122

* May be used in hazardous locations with specific cords and cables when installed in accordance with NEC/CEC requirements.

† Remove sufficient outer covering of cord or cable to pass conductors through the connector body.

‡ A wide variety of connectors may be made up using combinations of bodies, gland nuts and Neoprene bushings, providing all parts are of the same form.

◆ Order wire mesh grip separately.