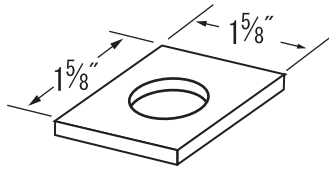


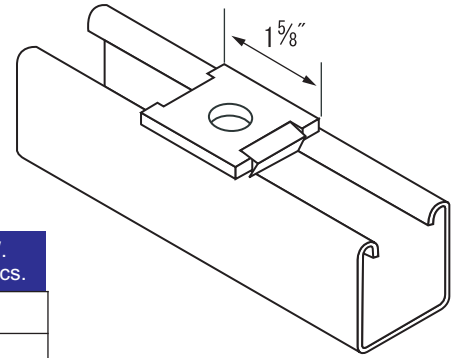
FLAT FITTINGS

Square Washer



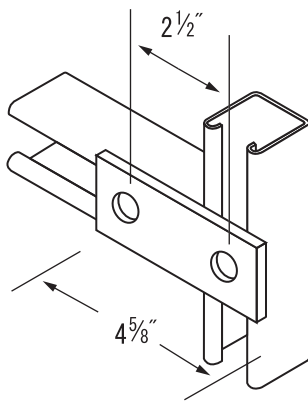
Part Number	Bolt Size	Wt./ 100Pcs.
D200	5/16	18
D201	3/8	18
D202	1/2	17
D202-1	5/8	16
D202-2	3/4	15

Guided Square Washer



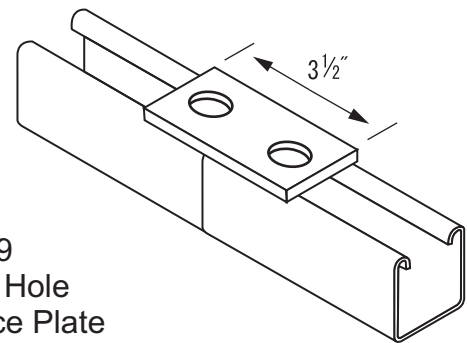
Part Number	Bolt Size	Wt./ 100Pcs.
D200D	1/4	18
D201D	3/8	18
D202D	1/2	17

D528 Flat Plate Connector



Wt.50#/C

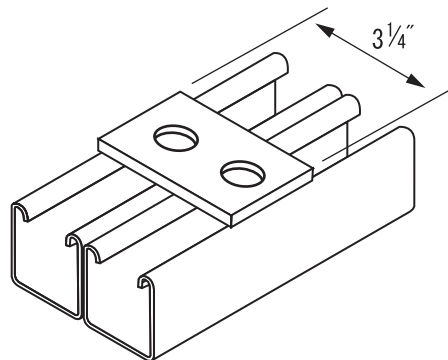
D129 Two Hole Splice Plate



Wt.35#/C

D340 Splice Plate

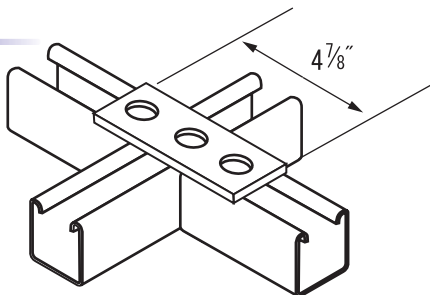
Wt.34#/C



DATA: 1/4 thick, 1-5/8 wide, holes 9/16 dia., spaced 1-7/8 on center and 13/16 from end.
FINISH: Electrogalvanized
Also available in stainless, powder coat and HDG.

D557 Three Hole Splice Plate

Wt.50#/C



D141 Three Hole Splice Plate

Wt.55#/C

