



www.Source1Parts.com

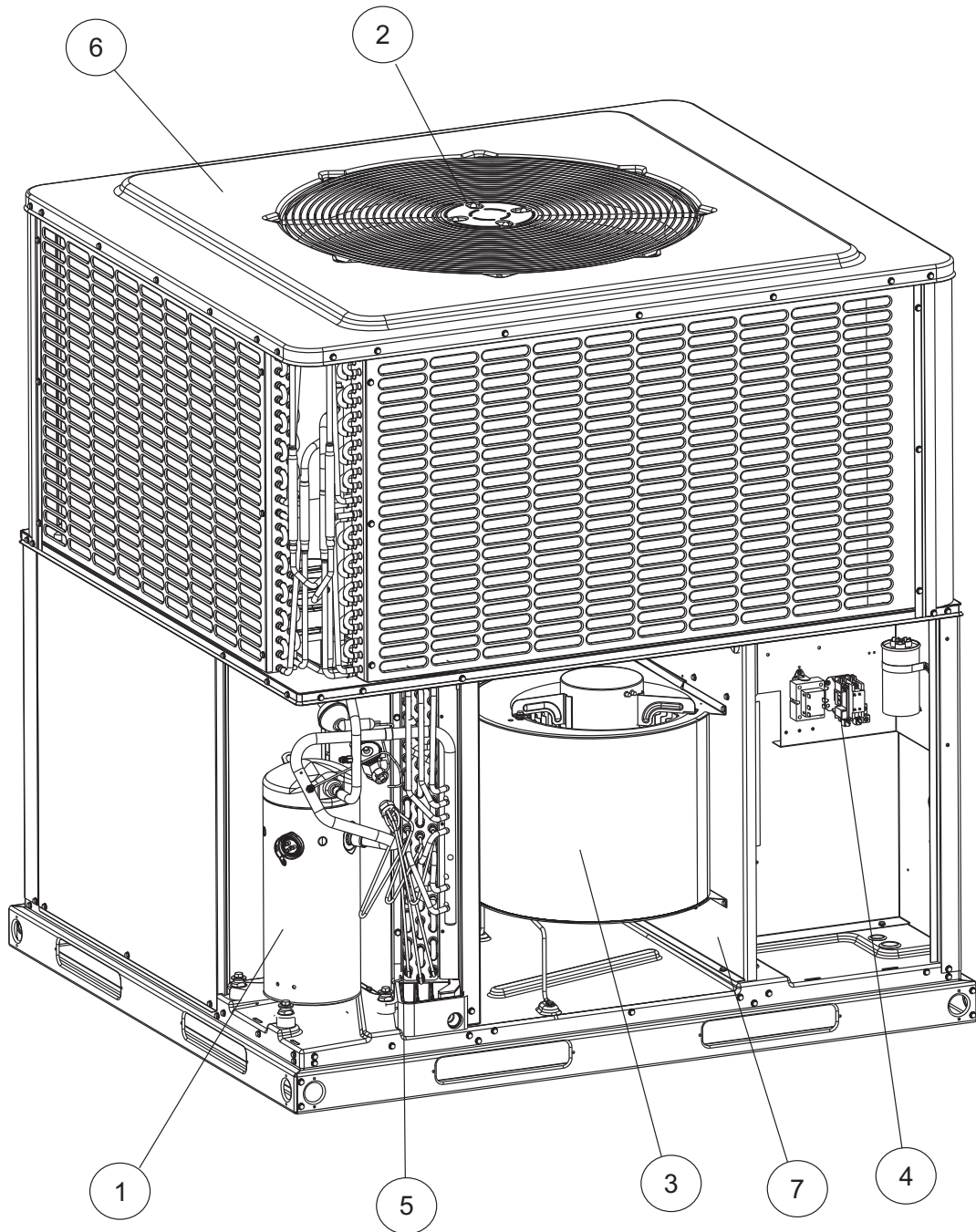
PHE4 SERIES - 14 SEER SINGLE PACKAGED ELECTRIC HEAT PUMP (R-410A, STYLE B)

HVAC SERVICE PARTS

Supersedes:Nothing

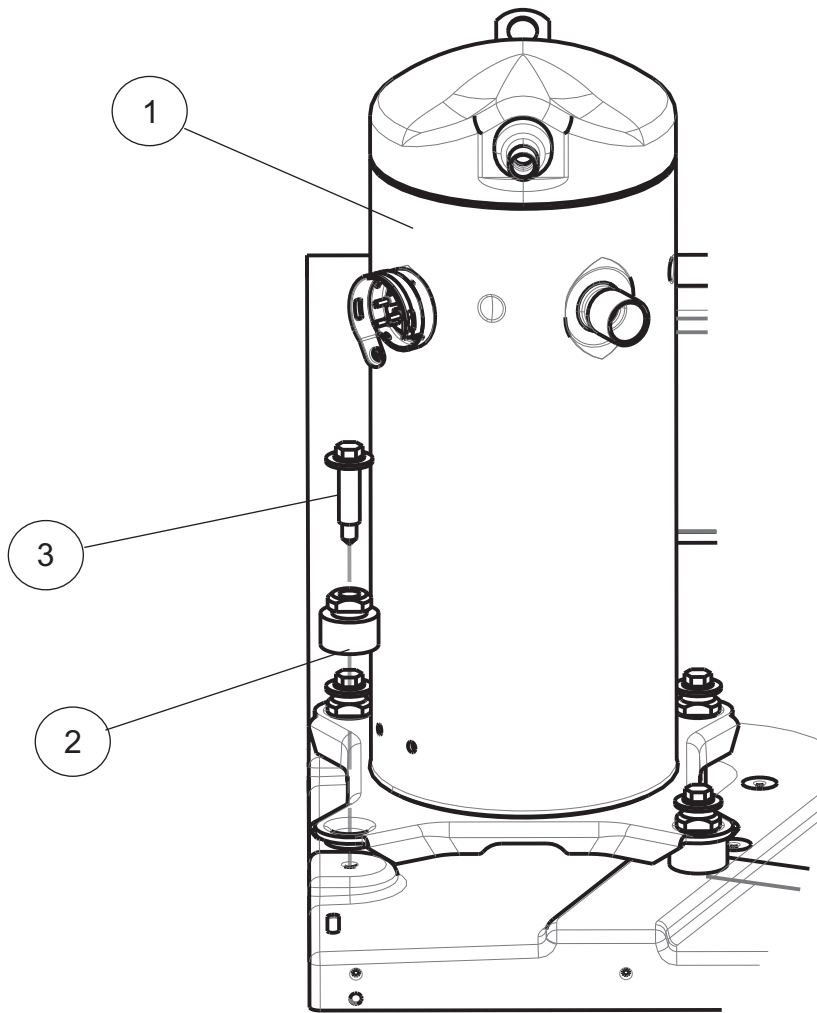
035-26506-001 Rev. A (0418)

1 of 12



Electric Heat Pump Residential Packaged _Top Level

Section	Description	Pages
1	Compressor Assembly	2
2	Fan Assembly	3
3	Indoor Blower Assembly	4
4	Electric Box Assembly	5
5	Condenser, Evaporator Coil Assembly	6, 7
6	Outside Sheet Metal Parts	8, 9
7	Inside Sheet Metal Parts	10, 11
8	Misc.	11



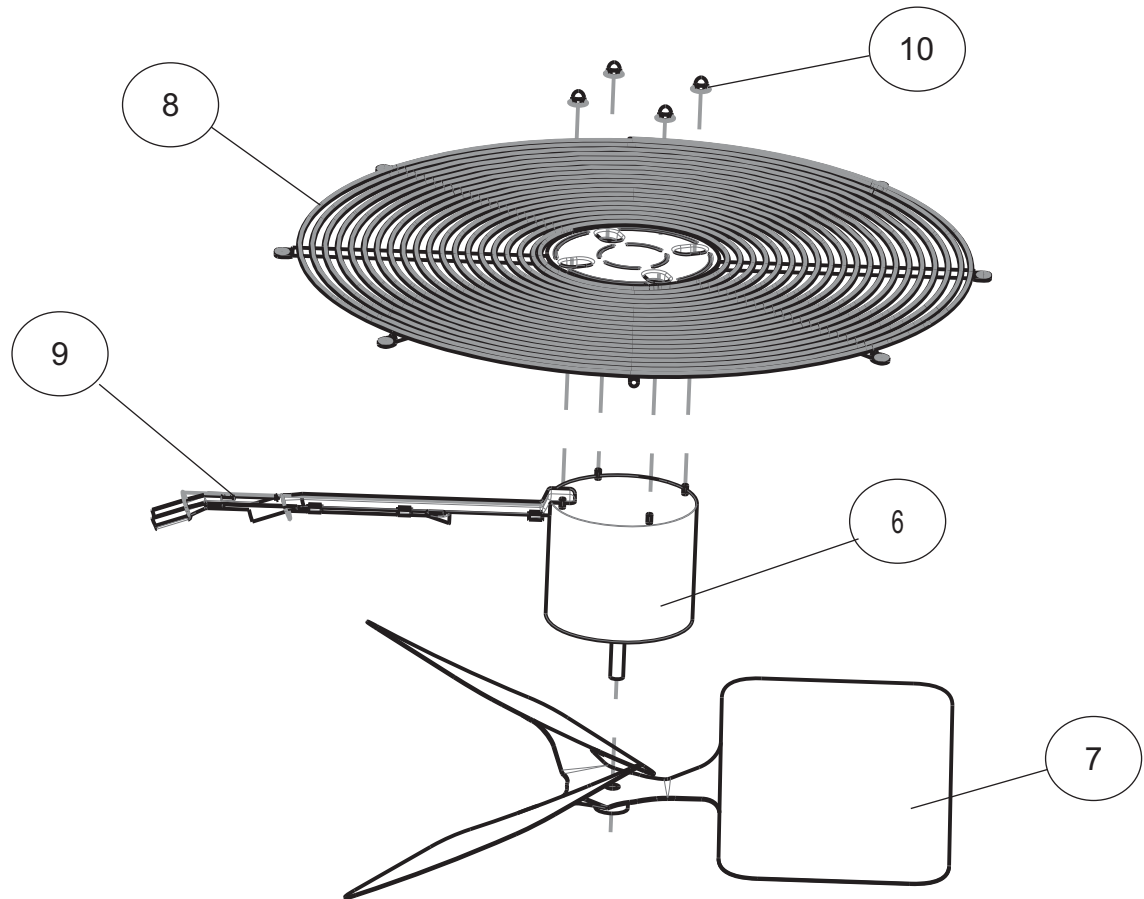
Compressor Section _ Figure 1

ITEM	FIG	DESCRIPTION	PHE4A2421B	PHE4A3021B	PHE4B3621B	<
Compressors						
1	1	Compressor	S1-01504787004	S1-01504147004	S1-01504490004	
2	1	Cushion Mount	S1-02809519000	S1-02809519000	S1-02809519000	
3	1	Bolt, Compressor	S1-02117116000	S1-02117116000	S1-02117116000	
4	*	Harness, Compressor	S1-02547242000	S1-02547242000	S1-02547242000	

ITEM	FIG	DESCRIPTION	PHE4B4221B	PHE4B4821B	PHE4B6021B	<
Compressors						
1	1	Compressor	S1-01504639004	S1-01504291004	S1-01504615004	
2	1	Cushion Mount	S1-02809519000	S1-02809519000	S1-02809519000	
3	1	Bolt, Compressor	S1-02117116000	S1-02117116000	S1-02117116000	
4	*	Harness, Compressor	S1-02547242000	S1-02547242000	S1-02547242000	

NOTE: *Not Shown
 New replacement parts shown in **bold** face type at the first printing of parts list dated 4/18.
 Major components and suggested stocking items are shown with shaded item number.
 "<" Across from row indicates a change in that row, change part numbers are red.
 --- Not applicable to specified model.





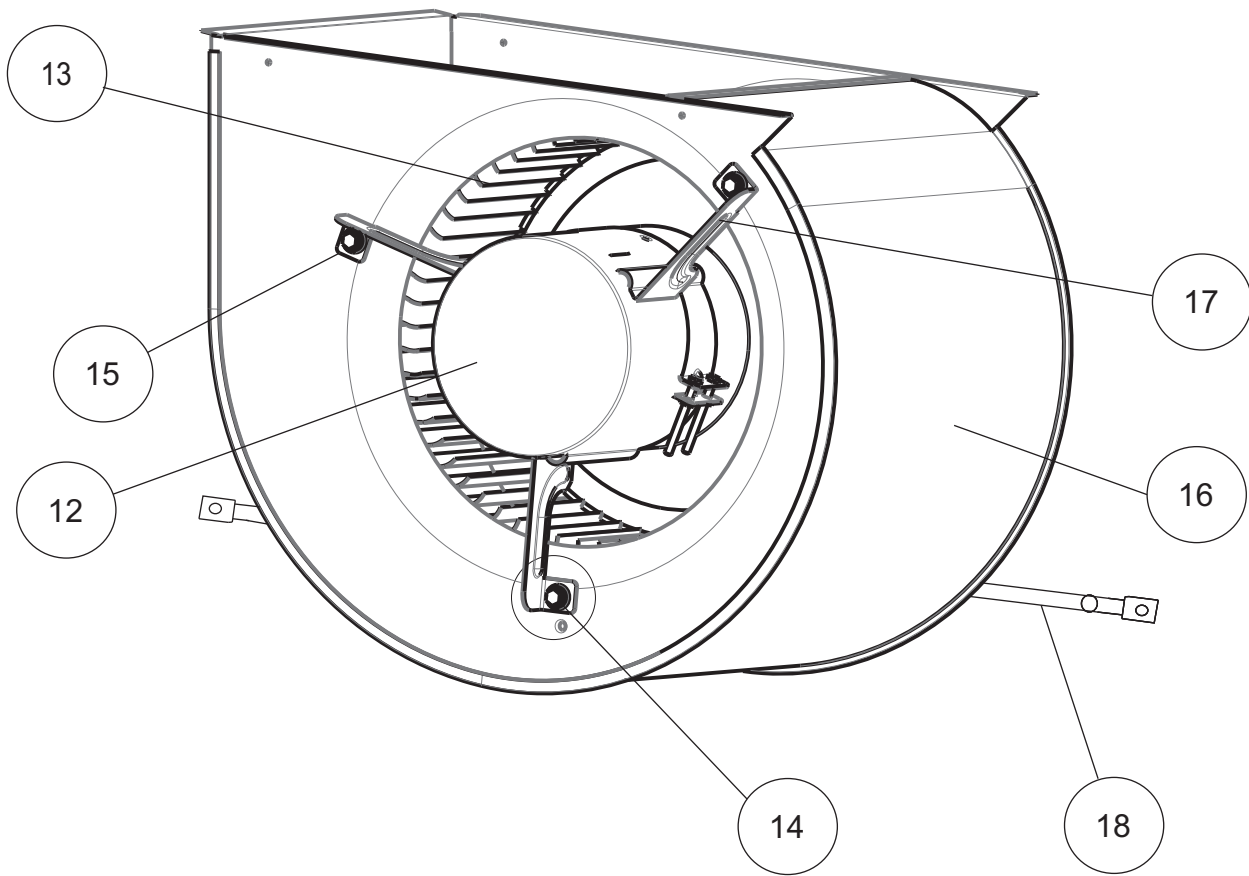
Fan Assembly _ Figure 2

ITEM	FIG	DESCRIPTION	PHE4A2421B	PHE4A3021B	PHE4B3621B
Condenser Fan Motor & Air Moving Components: NOTE... FAN BLADE AND MOTOR MUST BE MATCHED FOR PROPER UNIT OPERATION.					
6	2	Motor, Fan (Units built B4 8/31/2016	S1-02436231000	S1-02436215000	S1-02436216000
		Motor, Fan (Units built on/after 8/31/2016	S1-02436231000	S1-02439545000	S1-02436216000
7	2	Blade, Fan (Units built B4 8/31/2016	S1-02635436000	S1-02642434000	S1-02647782000
		Blade, Fan (Units built on/after 8/31/2016	S1-02635436000	S1-02635436000	S1-02647782000
8	2	Guard, Fan	S1-02647770000	S1-02647770000	S1-02647771000
9	2	Wireway	S1-02816469000	S1-02816469000	S1-02816470000
10	2	Kit, Acorn Nut	S1-36390117700	S1-36390117700	S1-36390117700

ITEM	FIG	DESCRIPTION	PHE4B4221B	PHE4B4821B	PHE4B6021B
Condenser Fan Motor & Air Moving Components					
6	2	Motor, Fan	S1-02436216000	S1-02436216000	S1-02436216000
7	2	Blade, Fan	S1-02647782000	S1-02647782000	S1-02647782000
8	2	Guard, Fan	S1-02647771000	S1-02647771000	S1-02647771000
9	2	Wireway	S1-02816470000	S1-02816470000	S1-02816470000
10	2	Kit, Acorn Nut	S1-36390117700	S1-36390117700	S1-36390117700

NOTE: *Not Shown
 New replacement parts shown in **bold** face type at the first printing of parts list dated 4/18.
 Major components and suggested stocking items are shown with shaded item number.
 “<” Across from row indicates a change in that row, change part numbers are red.
 --- Not applicable to specified model.





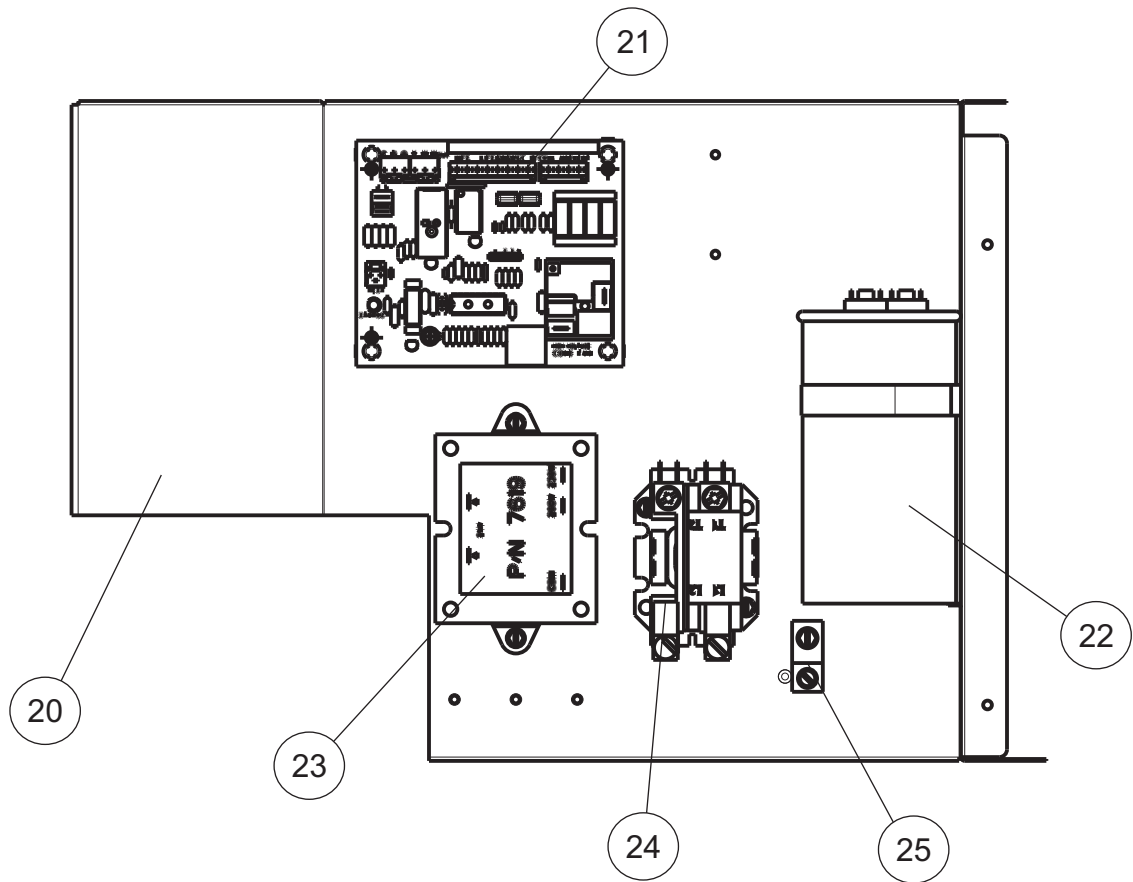
Indoor Blower Section_Figure 3

ITEM	FIG	DESCRIPTION	PHE4A2421B	PHE4A3021B	PHE4B3621B	<
Indoor Blower Motor & Air Moving Components						
12	3	Motor, Blower, Programmed	S1-32436221469	S1-32436221470	S1-32436221517	
13	3	Wheel, Blower	S1-02647766000	S1-02647766000	S1-02647767000	
14	3	Grommet, Motor Mount (3 Req'd)	S1-02814740000	S1-02814740000	S1-02814740000	
15	3	Ferrule, Motor Mount (3 Req'd)	S1-02320541000	S1-02320541000	S1-02320541000	
16	3	Housing, Blower	S1-37327996001	S1-37327996001	S1-37327996002	
17	3	Assembly, Motor Mount	S1-37319831002	S1-37319831002	S1-37319831002	
18	3	Support, Blower	S1-02647773000	S1-02647773000	S1-02647774000	

ITEM	FIG	DESCRIPTION	PHE4B4221B	PHE4B4821B	PHE4B6021B	<
Indoor Blower Motor & Air Moving Components						
12	3	Motor, Blower, Programmed	S1-32436222472	S1-32436222473	S1-32436223474	
13	3	Wheel, Blower	S1-02647767000	S1-02647767000	S1-02647767000	
14	3	Grommet, Motor Mount (3 Req'd)	S1-02814740000	S1-02814740000	S1-02814740000	
15	3	Ferrule, Motor Mount (3 Req'd)	S1-02320541000	S1-02320541000	S1-02320541000	
16	3	Housing, Blower	S1-37327996002	S1-37327996002	S1-37327996002	
17	3	Assembly, Motor Mount	S1-37319831002	S1-37319831002	S1-37319831002	
18	3	Support, Blower	S1-02647774000	S1-02647774000	S1-02647774000	

NOTE: *Not Shown
 New replacement parts shown in **bold** face type at the first printing of parts list dated 4/18.
 Major components and suggested stocking items are shown with shaded item number.
 "<" Across from row indicates a change in that row, change part numbers are red.
 --- Not applicable to specified model.



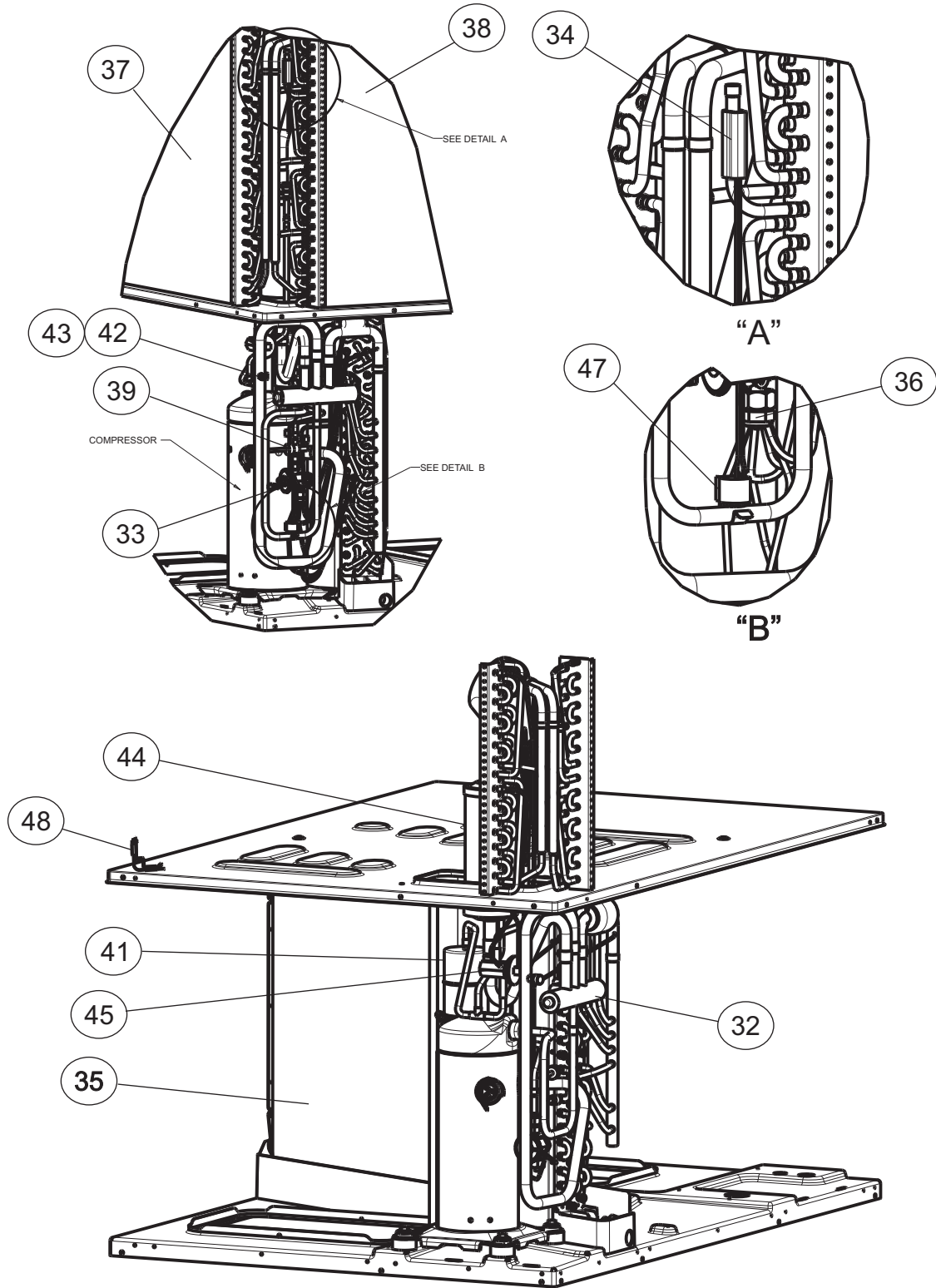


Electric Box _ Section 4

ITEM	FIG	DESCRIPTION	PHE4A2421B	PHE4A3021B	PHE4B3621B	<
Electric Box						
20	4	Panel, Control, Electric	S1-07339417001	S1-07339417001	S1-07339417001	
21	4	Board, Defrost Control	S1-03103483000	S1-03103483000	S1-03103483000	
22	4	Capacitor, Dual Run	S1-02425066700	S1-02425893700	S1-02425528700	
23	4	Transformer	S1-02518452700	S1-02518452700	S1-02518452700	
24	4	Contactar	S1-02427531000	S1-02427531000	S1-02427531000	
25	4	Lug, Electrical	S1-02521798000	S1-02521798000	S1-02521798000	
26	*	Harness, Main Wiring	S1-02547267000	S1-02547267000	S1-02547267000	
27	*	Diagram, Wiring	1202703	1202703	1202703	

ITEM	FIG	DESCRIPTION	PHE4B4221B	PHE4B4821B	PHE4B6021B	<
Electric Box						
20	4	Panel, Control, Electric	S1-07339417001	S1-07339417001	S1-07339417001	
21	4	Board, Defrost Control	S1-03103483000	S1-03103483000	S1-03103483000	
22	4	Capacitor, Dual Run	S1-02425528700	S1-02425528700	S1-02436218000	
23	4	Transformer	S1-02518452700	S1-02518452700	S1-02518452700	
24	4	Contactar	S1-02427531000	S1-02425837700	S1-02425837700	
25	4	Lug, Electrical	S1-02521798000	S1-02521798000	S1-02521798000	
26	*	Harness, Main Wiring	S1-02547267000	S1-02547267000	S1-02547267000	
27	*	Diagram, Wiring	1202703	1202703	1202703	

NOTE: *Not Shown
 New replacement parts shown in **bold** face type at the first printing of parts list dated 4/18.
 Major components and suggested stocking items are shown with shaded item number.
 "<" Across from row indicates a change in that row, change part numbers are red.
 --- Not applicable to specified model.



Evaporator, Condenser Coil Section _ Figure 5

ITEM	FIG	DESCRIPTION	PHE4A2421B	PHE4A3021B	PHE4B3621B	<
Evaporator Coil, Condenser Coil, and Piping Components						
32	5	Valve, Reversing	S1-02532707002	S1-02532707002	S1-02533307002	
33	5	TXV, Evap	S1-02212986000	S1-02212987000	S1-02212988000	
34	5	Sensor, Liquid Line	S1-03101276000	S1-03101276000	S1-03101276000	
35	5	Coil, Evaporator	S1-37339415003	S1-37339415003	S1-37339415004	
36	5	Distributor (Evap, 6L)	S1-02212974000	S1-02212974000	S1-02212974000	
37	5	Coil, Condenser, LH	S1-37339416001	S1-37339416003	S1-37339416005	
38	5	Coil, Condenser, RH	S1-37339416002	S1-37339416004	S1-37339416006	
39	5	Switch, High Pressure	S1-02545253000	S1-02545253000	S1-02545253000	
40	5	Distributor, Compensator Tank(2L)	S1-02211539000	S1-02211539000	S1-02211539000	
41	5	Filter Drier	S1-52636219000	S1-52636219000	S1-52636219000	
42	5	Valve, Schraeder (2 Req'd)	S1-02202475700	S1-02202475700	S1-02202475700	
43	5	Cap, Seal (2 Req'd)	S1-02310745000	S1-02310745000	S1-02310745000	
44	5	Tank, Compensator	S1-02635433000	S1-02635433000	S1-02635434000	
45	5	TXV, (Cond. Coil)	S1-02212992000	S1-02212992000	S1-02212994000	
46						
47	5	Switch, Loss of Charge	S1-02436274000	S1-02436274000	S1-02436274000	
48	5	Control, Defrost Ambient Temp.	S1-02538584000	S1-02538584000	S1-02538584000	
49	*	Distributor (Cond, 4L)	S1-02533424234	S1-02533424234	S1-02533424234	

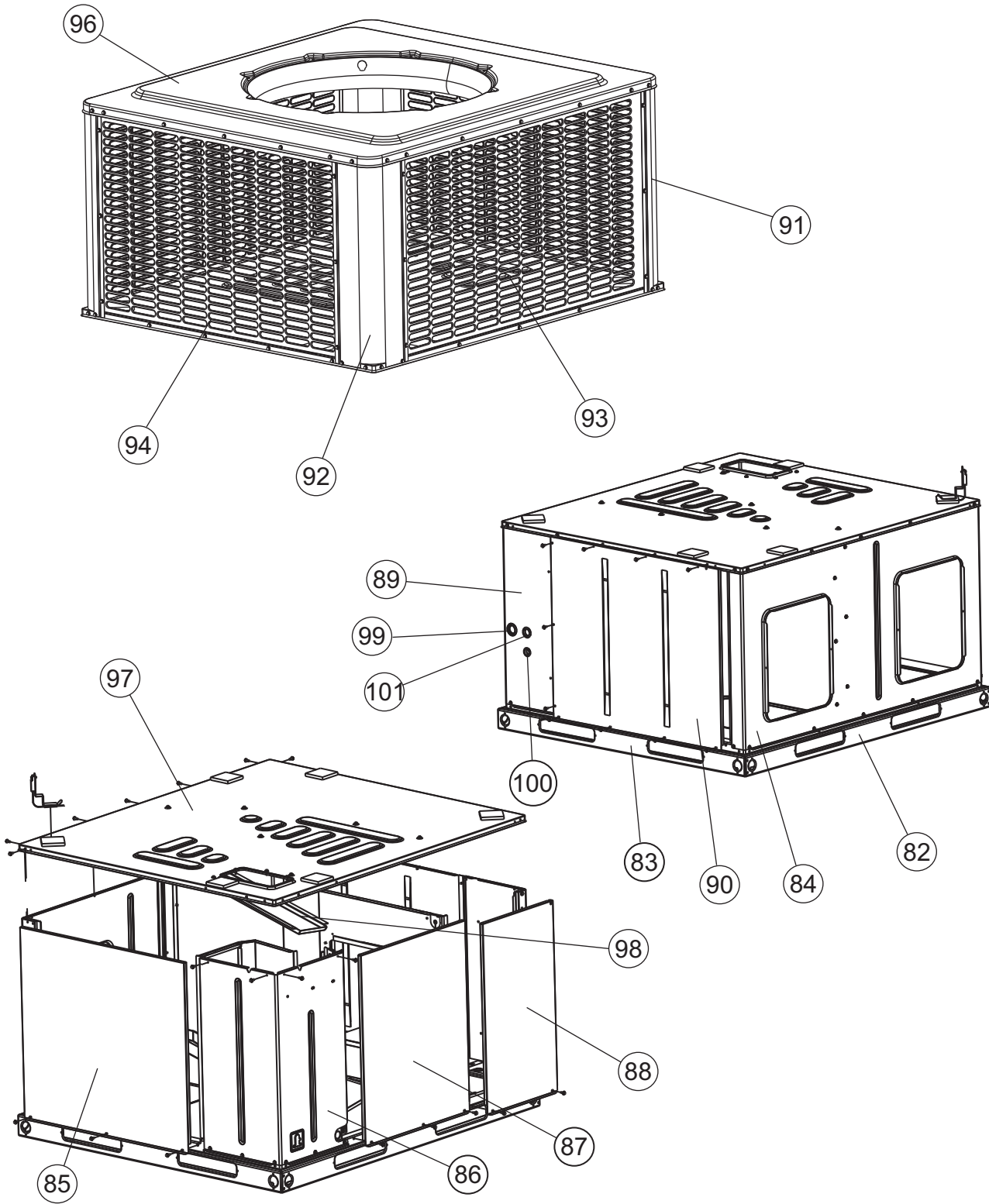
ITEM	FIG	DESCRIPTION	PHE4B4221B	PHE4B4821B	PHE4B6021B	<
Evaporator Coil, Condenser Coil, and Piping Components						
32	5	Valve, Reversing	S1-02533307002	S1-02533307002	S1-02533307002	
33	5	TXV, Evap	S1-02212989000	S1-02212990000	S1-02212991000	
34	5	Sensor, Liquid Line	S1-03101276000	S1-03101276000	S1-03101276000	
35	5	Coil, Evaporator	S1-37339415001	S1-37339415001	S1-37339415002	
36	5	Distributor (Evap, 6L)	S1-02212974000	S1-02212974000	S1-02212985001	
37	5	Coil, Condenser, LH	S1-37339416005	S1-37339416007	S1-37339416009	
38	5	Coil, Condenser, RH	S1-37339416006	S1-37339416008	S1-37339416010	
39	5	Switch, High Pressure	S1-02545253000	S1-02545253000	S1-02545253000	
40	5	Distributor, Compensator Tank (2L)	S1-02211539000	S1-02211539000	S1-02211539000	
41	5	Filter Drier	S1-52636219000	S1-52636219000	S1-52636219000	
42	5	Valve, Schraeder (2 Req'd)	S1-02202475700	S1-02202475700	S1-02202475700	
43	5	Cap, Seal (2 Req'd)	S1-02310745000	S1-02310745000	S1-02310745000	
44	5	Tank, Compensator	S1-02635434000	S1-02635434000	S1-02635434000	
45	5	TXV, (Cond. Coil)	S1-02212995000	S1-02212996000	S1-02212997000	
46						
47	5	Switch, Loss of Charge	S1-02436274000	S1-02436274000	S1-02436274000	
48	5	Control, Defrost Ambient Temp.	S1-02538584000	S1-02538584000	S1-02538584000	
49	*	Distributor (Cond, 4L)	S1-02533424234	---	---	
		Distributor (Cond, 6L)	---	S1-02533424236	---	
		Distributor (Cond, 8L)	---	---	S1-02533424238	

NOTE: *Not ShownNew replacement parts shown in **bold** face type at the first printing of parts list dated 4/18.

Major components and suggested stocking items are shown with shaded item number.

"←" Across from row indicates a change in that row, change part numbers are red.

--- Not applicable to specified model.



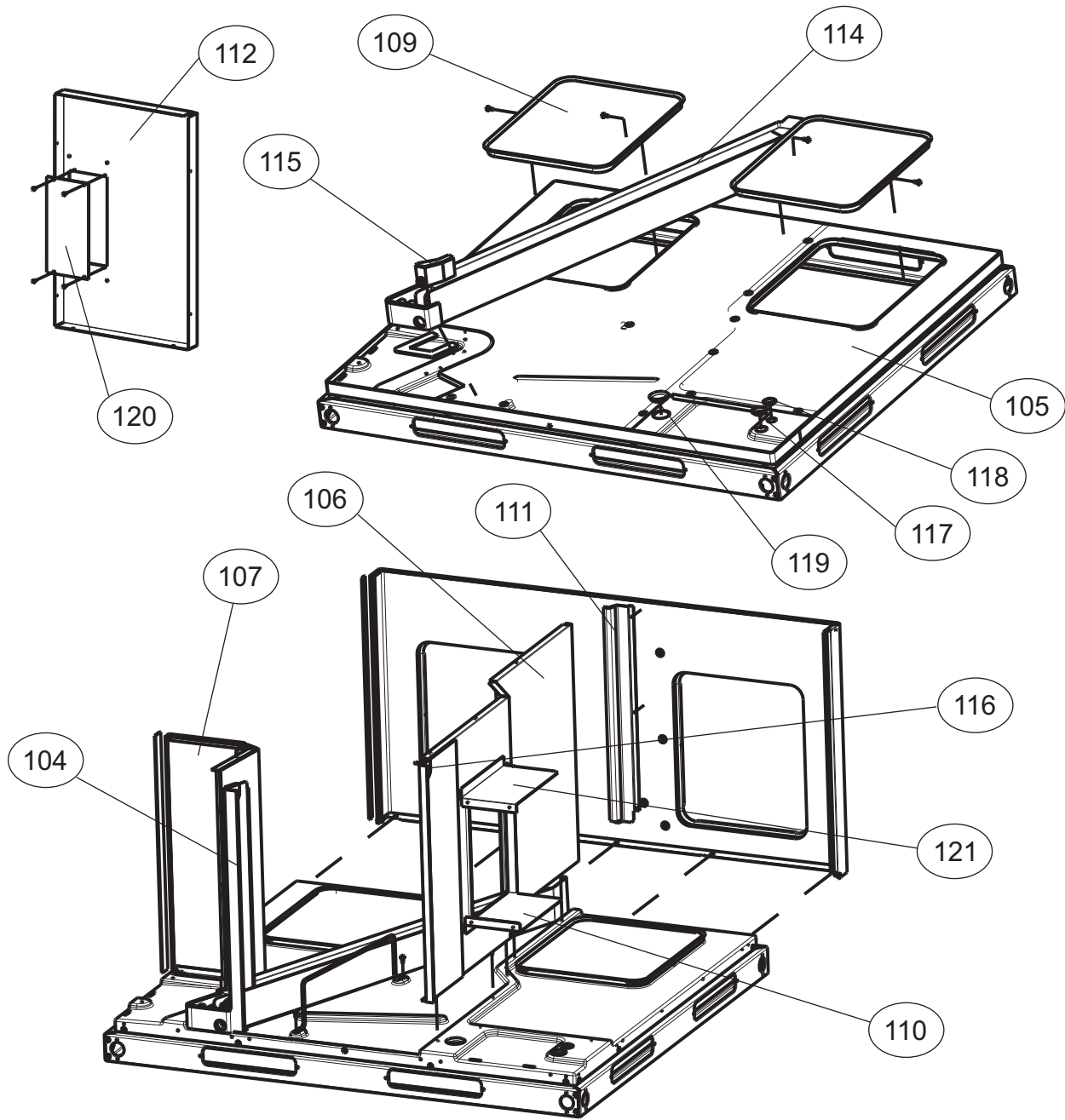
Outside Sheet Metal and Components _ Figure 6

ITEM	FIG	DESCRIPTION	PHE4A2421B	PHE4A3021B	PHE4B3621B	<
Outer Sheet Metal and Components						
82	6	Base Rail, Front and Rear (2 Req'd)	S1-07327986001	S1-07327986001	S1-07327986001	
83	6	Base Rail, Side (2 Req'd)	S1-07327986003	S1-07327986003	S1-07327986002	
84	6	Panel Assy, Rear Duct	S1-37327989002	S1-37327989002	S1-37327989001	
85	6	Panel Assy, Coil/Filter Access	S1-37327990001	S1-37327990001	S1-37327990002	
86	6	Panel, Compressor Access	S1-07339375001	S1-07339375001	S1-07339375001	
87	6	Panel Assy, Blower Access	S1-07339498001	S1-07339498001	S1-07339498001	
88	6	Panel, Burner/Control Access	S1-07339498002	S1-07339498002	S1-07339498002	
89	6	Panel, Electric Utility	S1-07339379001	S1-07339379001	S1-07339379001	
90	6	Panel Assy, Heat Exchanger Access	S1-37327992001	S1-37327992001	S1-37327992002	
91	6	Post, Corner, Small (2 Req'd)	S1-07339377003	S1-07339377004	S1-07339377004	
92	6	Post, Corner, Large (2 Req'd)	S1-07339376003	S1-07339376004	S1-07339376004	
93	6	Guard, Coil, Front & Rear (2 Req'd)	S1-07339371003	S1-07339371004	S1-07339371004	
94	6	Guard, Coil, Side (2 Req'd)	S1-07339374003	S1-07339374004	S1-07339372004	
95	6					
96	6	Panel, Top	S1-07339378002	S1-07339378002	S1-07339378001	
97	6	Panel Assy, Mid	S1-37327993001	S1-37327993001	S1-37327993002	
98	6	Panel, Coil Block-off	S1-07339388002	S1-07339388002	S1-07339388001	
99	6	Grommet, 1-3/8" Hole	S1-02814791000	S1-02814791000	S1-02814791000	
100	6	Plug, Plastic, 1-3/32 Inch (2 Req'd)	S1-02816466000	S1-02816466000	S1-02816466000	
101	6	Plug, Seal 7/8 Inch (2 Req'd)	S1-02815853000	S1-02815853000	S1-02815853000	

ITEM	FIG	DESCRIPTION	PHE4B4221B	PHE4B4821B	PHE4B6021B	<
Outer Sheet Metal and Components						
82	6	Base Rail, Front and Rear (2 Req'd)	S1-07327986001	S1-07327986001	S1-07327986001	
83	6	Base Rail, Side (2 Req'd)	S1-07327986002	S1-07327986002	S1-07327986002	
84	6	Panel Assy, Rear Duct	S1-37327989001	S1-37327989001	S1-37327989001	
85	6	Panel Assy, Coil/Filter Access	S1-37327990002	S1-37327990002	S1-37327990002	
86	6	Panel, Compressor Access	S1-07339375001	S1-07339375001	S1-07339375001	
87	6	Panel Assy, Blower Access	S1-07339498001	S1-07339498001	S1-07339498001	
88	6	Panel, Burner/Control Access	S1-07339498002	S1-07339498002	S1-07339498002	
89	6	Panel, Electric Utility	S1-07339379001	S1-07339379001	S1-07339379001	
90	6	Panel Assy, Heat Exchanger Access	S1-37327992002	S1-37327992002	S1-37327992002	
91	6	Post, Corner, Small (2 Req'd)	S1-07339377004	S1-07339377006	S1-07339377007	
92	6	Post, Corner, Large (2 Req'd)	S1-07339376004	S1-07339376006	S1-07339376007	
93	6	Guard, Coil, Front & Rear (2 Req'd)	S1-07339371004	S1-07339371006	S1-07339371007	
94	6	Guard, Coil, Side (2 Req'd)	S1-07339372004	S1-07339372006	S1-07339372007	
95	6					
96	6	Panel, Top	S1-07339378001	S1-07339378001	S1-07339378001	
97	6	Panel Assy, Mid	S1-37327993002	S1-37327993002	S1-37327993002	
98	6	Panel, Coil Block-off	S1-07339388001	S1-07339388001	S1-07339388001	
99	6	Grommet, 1-3/8" Hole	S1-02814791000	S1-02814791000	S1-02814791000	
100	6	Plug, Plastic, 1-3/32 Inch (2 Req'd)	S1-02816466000	S1-02816466000	S1-02816466000	
101	6	Plug, Seal 7/8 Inch (2 Req'd)	S1-02815853000	S1-02815853000	S1-02815853000	

NOTE: *Not Shown
 New replacement parts shown in **bold** face type at the first printing of parts list dated 4/18.
 Major components and suggested stocking items are shown with shaded item number.
 "<" Across from row indicates a change in that row, change part numbers are red.
 --- Not applicable to specified model.





Inner Sheet Metal and Components _ Figure 7

ITEM	FIG	DESCRIPTION	PHE4A2421B	PHE4A3021B	PHE4B3621B	<
Inner Sheet Metal and Components						
104	7	Block-off, Coil, Front	S1-07339499001	S1-07339499001	S1-07339499001	
105	7	Base Pan Assy	S1-37327988002	S1-37327988002	S1-37327988001	
106	7	Deck, Blower	S1-07339499002	S1-07339499002	S1-07339499003	
107	7	Panel Assy, Compressor Barrier	S1-37339446001	S1-37339446001	S1-37339446001	
108						
109	7	Panel Assy, Duct Cover (2 Req'd)	S1-37327995001	S1-37327995001	S1-37327995002	
110	7	Panel, Heater Chute, Bottom	S1-07339419003	S1-07339419003	---	
		Panel, Heater Chute	---	---	S1-07339419001	
111	7	Block-off, Coil, Rear	S1-07339386003	S1-07339386003	S1-07339386003	
112	7	Panel, Vestibule, Electric	S1-07339418001	S1-07339418001	S1-07339418001	
113						
114	7	Pan, Drain	S1-03200222000	S1-03200222000	S1-03200223000	
115	7	Insert, Drain Pan	S1-02817076000	S1-02817076000	S1-02817076000	
116	7	Grommet, .5" Dia (Utility Panel) (2 Req'd)	S1-02530823000	S1-02530823000	S1-02530823000	
117	7	Plug, Plastic, 1-3/32 Inch (2 Req'd)	S1-02816466000	S1-02816466000	S1-02816466000	
118	7	Plug, Seal 7/8 Inch (2 Req'd)	S1-02815853000	S1-02815853000	S1-02815853000	
119	7	Grommet, 1-5/8"	S1-02814787000	S1-02814787000	S1-02814787000	
120	7	Cover, Heater	S1-07339412001	S1-07339412001	S1-07339412001	
121	7	Panel, Heater Chute, Top	S1-07339419002	S1-07339419002	---	

ITEM	FIG	DESCRIPTION	PHE4B4221B	PHE4B4821B	PHE4B6021B	<
Inner Sheet Metal and Components						
104	7	Block-off, Coil, Front	S1-07339499001	S1-07339499001	S1-07339499002	
105	7	Base Pan Assy	S1-37327988001	S1-37327988001	S1-37327988001	
106	7	Deck, Blower	S1-07339499003	S1-07339499003	S1-07339499003	
107	7	Panel Assy, Compressor Barrier	S1-37339446001	S1-37339446001	S1-37339446001	
108						
109	7	Panel Assy, Duct Cover (2 Req'd)	S1-37327995002	S1-37327995002	S1-37327995002	
110	7	Panel, Heater Chute	S1-07339419001	S1-07339419001	S1-07339419001	
111	7	Block-off, Coil, Rear	S1-07339386003	S1-07339386003	S1-07339386003	
112	7	Panel, Vestibule, Electric	S1-07339418001	S1-07339418001	S1-07339418001	
113						
114	7	Pan, Drain	S1-03200223000	S1-03200223000	S1-03200223000	
115	7	Insert, Drain Pan	S1-02817076000	S1-02817076000	S1-02817076000	
116	7	Grommet, .5" Dia (Utility Panel) (2 Req'd)	S1-02530823000	S1-02530823000	S1-02530823000	
117	7	Plug, Plastic, 1-3/32 Inch (2 Req'd)	S1-02816466000	S1-02816466000	S1-02816466000	
118	7	Plug, Seal 7/8 Inch (2 Req'd)	S1-02815853000	S1-02815853000	S1-02815853000	
119	7	Grommet, 1-5/8"	S1-02814787000	S1-02814787000	S1-02814787000	
120	7	Cover, Heater	S1-07339412001	S1-07339412001	S1-07339412001	
121	7	Panel, Heater Chute, Top	---	---	---	

ITEM	FIG	DESCRIPTION	ALL MODELS
Misc.			
125	*	Badge, Branding	Consult S1 Acct Rep
126	*	Strap, Cable	S1-02527642000

NOTE: *Not Shown
 New replacement parts shown in **bold** face type at the first printing of parts list dated 4/18.
 Major components and suggested stocking items are shown with shaded item number.
 "<" Across from row indicates a change in that row, change part numbers are red.
 --- Not applicable to specified model.

TO ORDER AUTHORIZED FACTORY REPLACEMENT PARTS - Contact your Source1 HVAC Parts Distributor or visit our website at **www.Source1Parts.com** for a Distributor and Dealer listing.

Subject to change without notice. Published in U.S.A.
Copyright © 2018 by Johnson Controls, Inc. All rights reserved.

035-26506-001 Rev. A (0418)
Supersedes: Nothing

York International Corp.
5005 York Drive
Norman, OK 73069