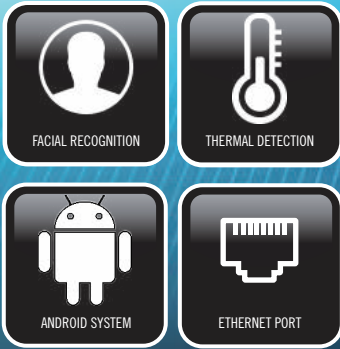


# O'PASS

8-inch Temperature Screening Kiosk



# 8FIDKR

**BUILT TO RUN 24 x 7 x 365 CONTINUOUSLY**

## OVERVIEW

Health and safety in the workplace are clear priorities, now and in the future. This contactless infrared temperature measuring interactive kiosk is an AI based solution for visitor access and monitoring. Functions include an alarm system, facial recognition, mask recognition, and temperature detection. All of this is capable with one system - the ORION temperature screening kiosk.

## SPECIAL FEATURES



## USED IN ANY ENVIRONMENT

- Schools, universities, and academies
- Office buildings
- Churches, temples, and museums
- Government offices
- Shopping malls and stores
- Hospitals
- Transportation hubs



### SPECIFICATIONS

8FIDKR	
<b>Screen</b>	
Size	8.0 inch IPS LCD screen
Resolution	800x1280
<b>Processors</b>	
CPU	RK3288 Quad core processor
Local storage	EMMC 8G
<b>Interface</b>	
Network module	Ethernet
Audio	2.5 W/4R speakers supported
USB interface	USB OTG, 1 Road USB HOST Standard A Pass
Serial communication	1 RS232 serial port
Relay output	1 door open signal output
Upgrade button	Support Uboot upgrade keys
Wired Network	1 RJ45 Ethernet
<b>Camera</b>	
Resolution	200W pixels
Type	Binocular wide dynamic camera
Aperture	F2.4
Focus distance	1.64~4.92ft 50~150 cm
White balance	Automatic
Light-up lamp	LED and infrared dual light
<b>Function</b>	
Identification distance configuration	Support
UI interface configuration	Support
Remote upgrade of equipment	Support
Body Temperature Testing	Support
<b>Infrared thermal imaging module Block</b>	
Temperature detection distance	3.281 ft / 1m (best distance 1.64 ft/ 0.5 m)
Measurement accuracy	≤ 0.9°F (0.5°C)
Temperature measurement range	50~107.6°F (10°C~42°C)
Pixel points	32X 32 lattice (total 1024 pixels)
Over temperature alarm	Support (temperature alarm can be set)
<b>Conventional parameters</b>	
Power supply	DC12V (±10%)
Working temperature	32~104°F (0°C~40°C)
Storage temperature	-4~140°F (-20°C~60°C)
Power consumption	13.5W (Max)
Installation	Options (table/floor)
Dimensions	0.972x0.436x0.082ft (296.18*132.88*25mm)
<b>Packing list</b>	
Package	Machine x 1, power adapter x 1, base x 1
Display package size	1.394x0.554x0.367ft (425x169x112mm)
A08F base packing size	4.216x1.41x1.23ft (1285*430*375 mm)

\*Design and specifications are subject to change without notice

### REMOTE SOLUTION

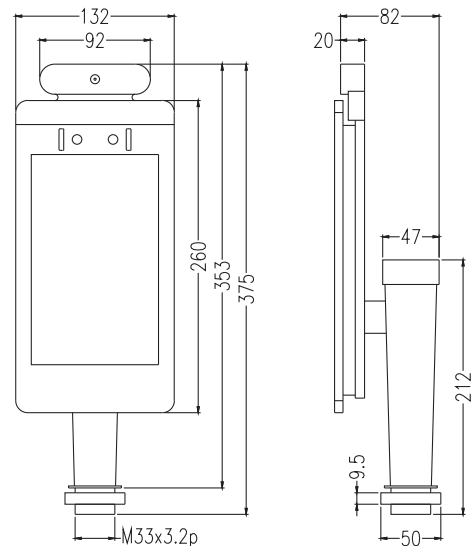
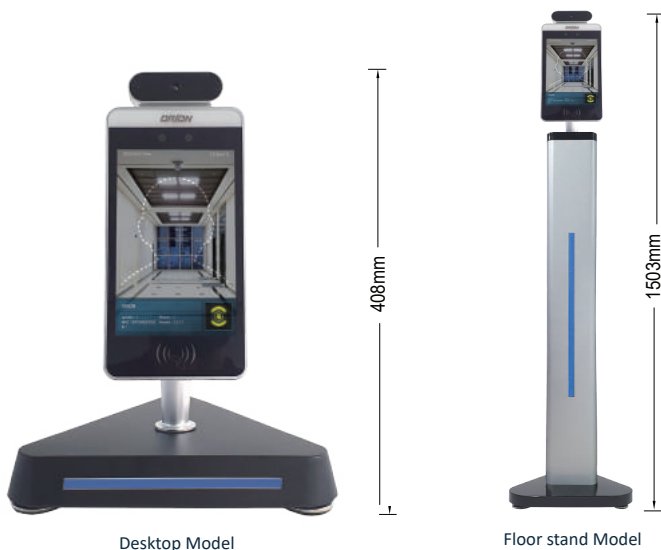


Orion Images developed remote programs that can provide real-time monitoring, access control, and user registration through a PC.

### INPUT INTERFACE



### DIMENSIONS



Contact your local WESCO Anixter sales representative for more information.