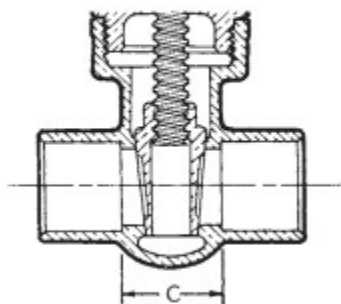


**T-113**  
NPT x NPT



**S-113**  
C x C