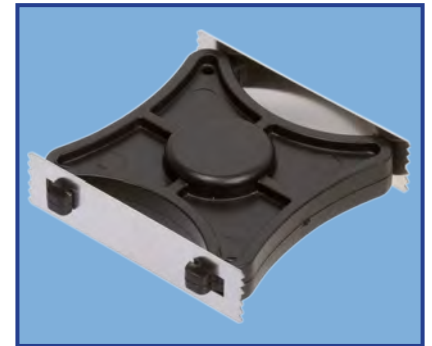


### DESCRIPTION

Nascom's patent pending SHARK magnet is designed for steel and aluminum U-channel doors. The SHARK magnet is incredibly easy to install - just squeeze it, fit it and forget it.

Ordering part number: **SHARK/M**



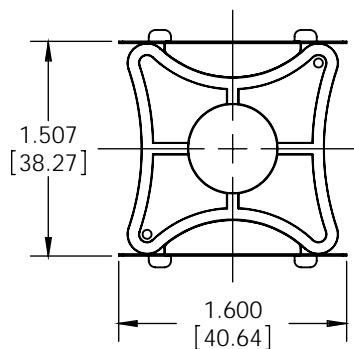
### FEATURES

- "SHARK" TEETH HOLD THE MAGNET IN PLACE
- EASY TO INSTALL
- STAINLESS STEEL SPRINGS
- STRONG RARE EARTH MAGNET (GRADE N35 NdFeB)
- NO CLEANING • NO SILICONE • NO WOOD OR TAPE
- ABS HOUSING

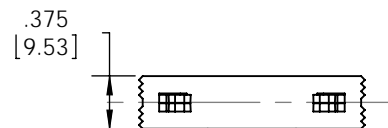
### SPECIFICATIONS

PARAMETERS	MIN	TYP	MAX	UNITS
<b>MAGNET RATINGS</b>				
Residual Flux Density (Br)	11.8		12.5	kGs
Maximum Energy Product (BHmax)	33.0		37.0	MGOe
Coercive Force (Hcb)		10.8		kOe
Intrinsic Coercive Force (Hcj)		12.0		kOe
Working Temperature			80°	C
Curie Temperature (Tc)			200°	C

### DIMENSIONS - IN [mm]



TOP VIEW



FRONT VIEW

### INSTALLATION INSTRUCTIONS

- Press the springs inward.
- Insert the magnet in the U-channel; center and align as necessary.
- Release the springs to secure the magnet.

