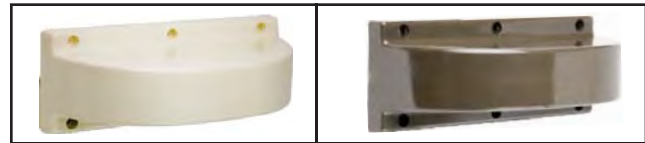
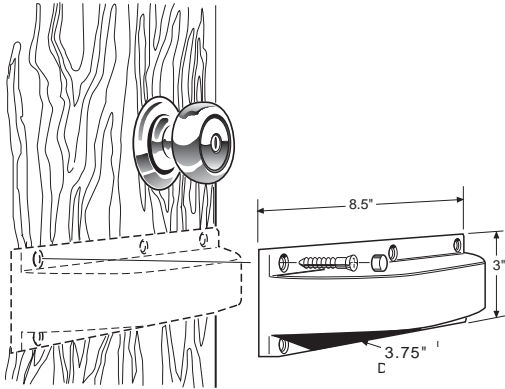


PROTECTORS FOR LOCKS & OTHER HARDWARE

K-12, K-12D • PROTECT-A-LOK

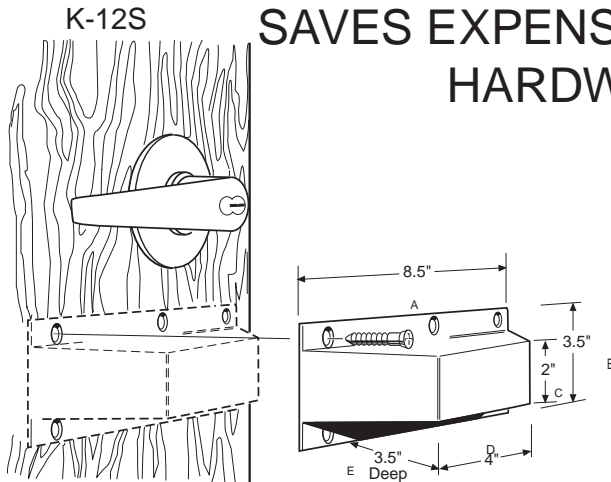
Finally a product designed to protect locks and other hardware from impact damage. The Keedex K-12 Protect-A-Lok, made from Lexan polycarbonate, is virtually indestructible. Designed for use in areas where locks may have a chance of getting hit by carts, forklifts or vehicles. Can be used with levers, knobs, panic hardware and more. Installs in minutes. Guaranteed for 5 years. Available in Cream (K-12) and Duranodic (K-12D).



SAVES EXPENSIVE LOCKS, LEVERS AND OTHER HARDWARE, AGAIN AND AGAIN!

Stainless Steel Versions Available!

Keedex offers a stainless steel version of our popular K-12 Protect-A-Lok, for your customers who prefer stainless steel. There are ten different sizes of the Stainless Steel Protect-A-Lok. All are made from 18 gauge stainless steel.



Stainless Steel

Stainless Steel

Large Stainless Steel

Large Stainless Steel

Extra Large 24" Stainless Steel

Extra Large 34" Stainless Steel

Extra Large 41" Stainless Steel

Replacement End Cap For Corbin Russwin Exit Devices

Replacement End Cap For Sargent Exit Device

Replacement End Cap For Von Duprin Exit Device

Replacement End Cap For Yale Exit Device

Part#	A	B	C	D	E
K-12S	8.50"	3.50"	2.00"	4.00"	3.50"
K-12S-212	8.50"	3.50"	2.00"	5.10"	2.60"
K-12S-L	10.00"	3.50"	2.00"	5.50"	4.25"
K-12S-L512	11.95"	3.50"	2.00"	5.00"	5.50"
K-12S-XL24	24.00"	3.50"	2.00"	12.50"	4.25"
K-12S-XL34	34.00"	3.50"	2.00"	22.50"	4.25"
K-12S-XL41	41.00"	3.50"	2.00"	29.25"	4.25"
K-12S-COR	2.875"	4"	2.5"	2"	2.875"
K-12S-SGT	8.00"	3.75"	2.30"	6.15"	2.08"
K-12S-VON	8.00"	3.75"	2.30"	6.15"	2.82"
K-12S-YALE	8.00"	3.95"	2.30"	6.15"	2.82"

Used in:

- Hospitals
- Hotels
- Restaurants
- Schools
- Super Markets
- Warehouses
- And More

Use for Protecting:

- Locks
- Levers
- Panic Hardware
- Safe Dials and Handles
- Fire Alarm Equipment
- Access Control Equipment

VISIT OUR WEBSITE @ WWW.KEEDEX.COM

Tel: 714-993-4300 • Fax: 714-993-4303

