

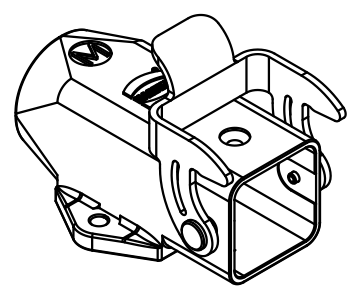
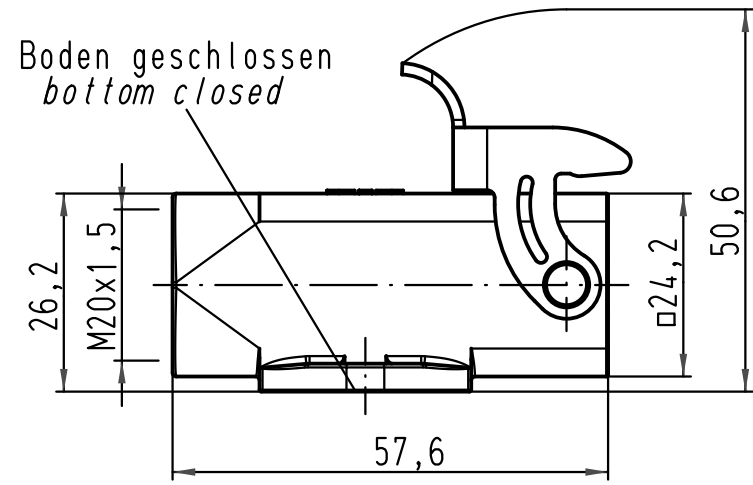
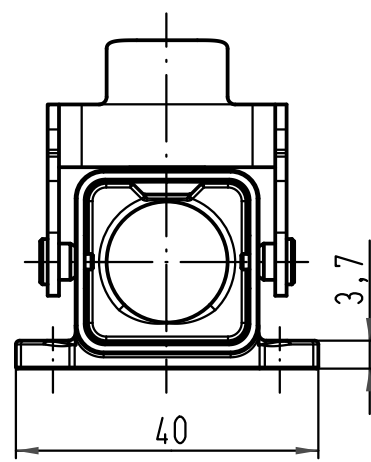
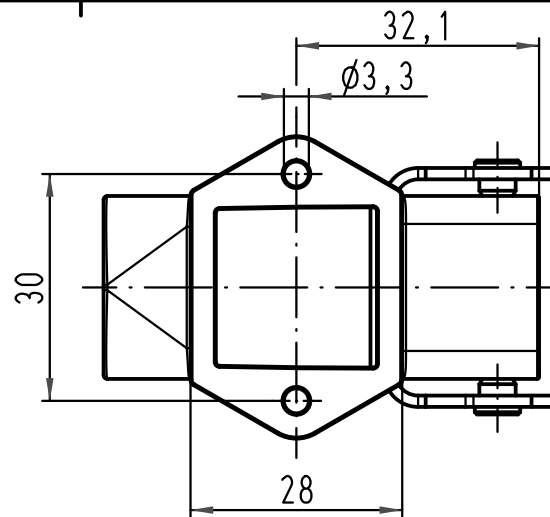
1 2 3 4 5 6

A

B

C

D



| | | | | | | | | |
|---|------|------|--------------------------------|----------|------|---|--|--|
| All Dimensions in mm Original Size DIN A 4 | | | Techn. Character. | | | Nicht tolerierte Maß/Free size tolerances | | |
| | | | | Dat. | Name | Maßstab/Scale 1:1 | Han 3A-asgw-QB-M20 Sockelgehäuse-Metall-grau <i>housing surface mounting-metal-grey</i> | |
| | | | Detail. | 10.06.10 | Ho | | | |
| | | | Insp. | | Grie | | | |
| | | | Stand. | | | | | |
| A | | | HARTING Electric GmbH & Co. KG | | | | TB 19 20 003 1252 | |
| Mod. | Dat. | Name | D-32339 Espelkamp | | | | | |