

Trim Selection



HEAVY DUTY STAINLESS STEEL CLUTCH LEVER

ESCUTCHEON (High Frequency Abusive Situation such as Schools, Hospitals, Industrial / Institutions)

CONSTRUCTION

- Clutch mechanism
- Double heavy duty spring support to prevent sagging and enhance operation
- Grade 1, thru-bolted design. Non-handed design. Easily field reversible
- All Stainless Steel heavy duty tailpiece.
Available for fire and non fire rated rim and vertical rod exit devices
- Standard 6-Pin Schlage "C" Mortise Cylinder included

DOOR THICKNESS

Standard 1 3/4" to 2". For 2 or 2 1/2" thick door use additional Part # TAIL9

ESCUTCHEON DIMENSIONS

2 5/8" width X 10 5/8" length. Lever length: 4 5/8"

Fits and covers 2 1/8" 161 cutout

HDESC-00 or	ENTRANCE
ICHDESC-00	Clutch Entrance, key locks or unlocks escutcheon trim
ICSCHDESC-00	ANSI FUNCTION (63) Operates as classroom function
TDESC-00	
ICTDESC-00	
ICSCTDESC-00	
HDESC-05 or	STOREROOM
ICHDESC-05	Clutch Storeroom, key unlocks lever, lever retracts
ICSCHDESC-05	latch bolt, otherwise always locked
TDESC-05	ANSI FUNCTION (04)
ICTDESC-05	
ICSCTDESC-05	
HDESC-30	PASSAGE
TDESC-30	Trim always operable and free
	ANSI Function (62)
HDESC-40	DUMMY
TDESC-40	Dummy Escutcheon trim ANSI FUNCTION (10)

KEYWAY: 6-Pin solid brass "C" keyway Mortise Cylinder standard. Optional: Schlage E, Schlage C-K, Russwin D1-2-3-4, Corbin 59/60, Sargent LA-LB-LC, Falcon/Weiser E, Arrow A, Yale 8, Yale GA and Kwikset. Can also accept Medeco, Assa, Kaba and **Cal-Royal HSK** High Security Cylinders.

FOR ELECTRIFIED TRIM OPTIONS SEE PAGE 38

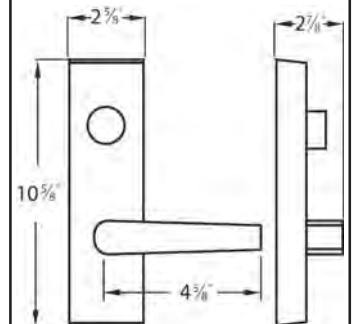
- **(IC) INTERCHANGEABLE CORE:** Interchangeable Core locks will accept compatible 6 or 7-Pin cores with BEST, FALCON and ARROW
- **(ICSC) INTERCHANGEABLE CORE:** Indicates function available with **Schlage Full size format** Interchangeable Core. Corbin, Sargent and Yale format also available.

Lever Trim Designs



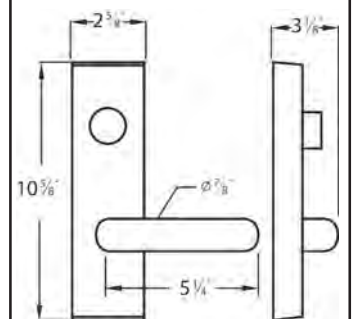
NEW ITEM

HDESC



NEW ITEM

TDESC



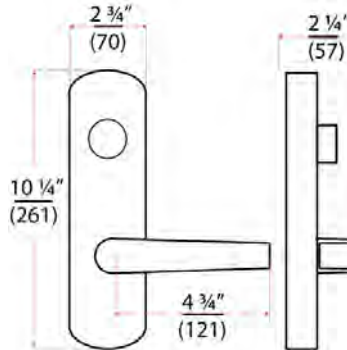
Trim Selection

RIGID LEVER ESCUTCHEON



CONSTRUCTION

- Rigid, non clutch mechanism.
- Double heavy duty spring support to prevent sagging and enhance operation.
- Grade 1, thru-bolted design. Non-handed design. Easily field reversible.
- Hardened steel heavy duty tailpiece. Available for fire and non fire rated rim and vertical rod exit devices.
- Standard 6-Pin Schlage "C" Mortise Cylinder included



DOOR THICKNESS

Standard 1 3/4". For 2 1/4" thick door use additional Part # TAIL3

ESCUTCHEON DIMENSIONS

2 3/4" width X 10 1/4" length. Lever length: 4 3/4". Fits and covers 2 1/8" 161 cutout

NESC9800 or ⚙️ ICNESC9800 or ⚙️ ICSCNESC9800	ENTRANCE Rigid Entrance, key locks or unlocks escutcheon trim ANSI FUNCTION (63) Operates as classroom function
NESC9805 or ⚙️ ICNESC9805 or ⚙️ ICSCNESC9805	STOREROOM Rigid Storeroom, key unlocks lever, lever retracts latch bolt, otherwise always locked ANSI FUNCTION (04)
NESC9830	PASSAGE Trim always operable and free ANSI Function (62)
NESC9840	DUMMY Dummy Escutcheon trim ANSI FUNCTION (10)

Lever Trim Designs



NESC



ATESC



RLESC



TUBESC

TO ORDER other lever design insert "AT" or "RL" before "ESC":
e.g. **ATESC9800** for ESC9800 with AT design or **RLESC9800** for ESC9800

KEYWAY: 6-Pin solid brass "C" keyway Mortise Cylinder standard. Optional: Schlage E, Schlage C-K, Russwin D1-2-3-4, Corbin 59/60, Sargent LA-LB-LC, Falcon/Weiser E, Arrow A, Yale 8, Yale GA and Kwikset. Can also accept Medeco, Assa, Kaba and **Cal-Royal HSK** High Security Cylinders.

FOR ELECTRIFIED TRIM OPTIONS SEE PAGE 38

- ⚙️ **(IC) INTERCHANGEABLE CORE:** Interchangeable Core locks will accept compatible 6 or 7-Pin cores with BEST, FALCON and ARROW.
- ⚙️ **(ICSC) INTERCHANGEABLE CORE:** Indicates function available with **Schlage Full Size Format** Interchangeable Core. Corbin, Sargent and Yale format also available.