

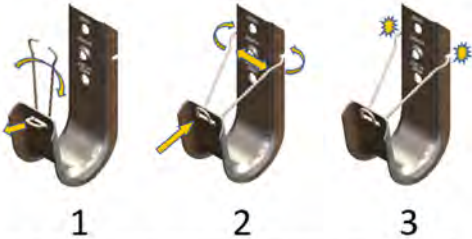


# CJ32HSSBC

2" J-Hook assembled to SSBC  
Jaw Opening 1/8" to 1/2"

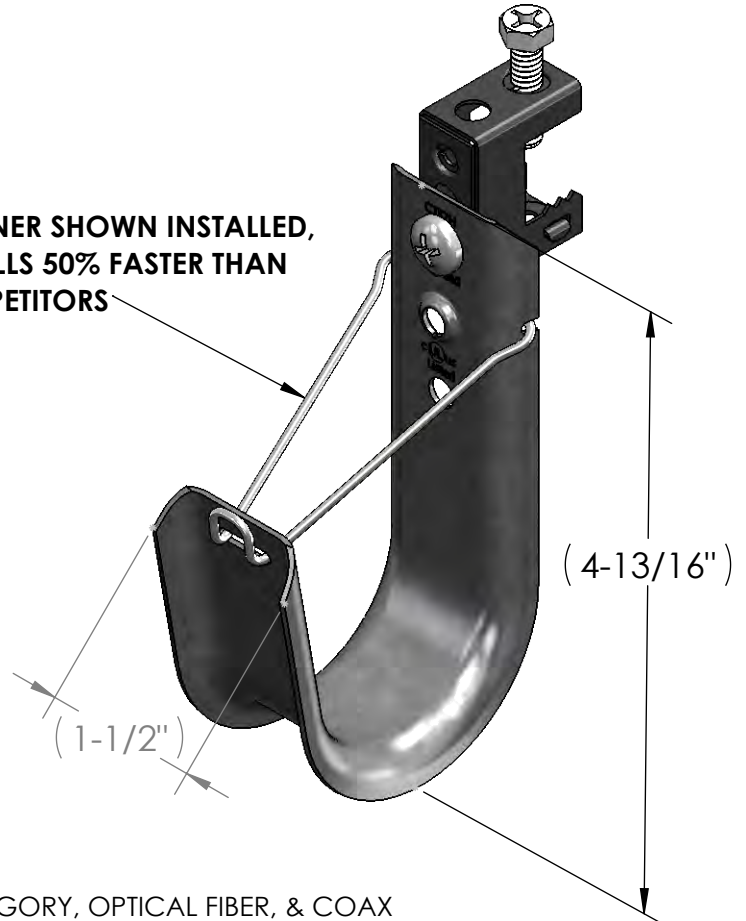


RETAINER CAN ALSO BE  
POSITIONED AS SHOWN  
DURING CABLE INSTALLATION



RETAINER INSTALLATION...  
AS EASY AS 1-2-3

RETAINER SHOWN INSTALLED,  
INSTALLS 50% FASTER THAN  
COMPETITORS



- CABLE RETAINER INCLUDED
- ADDITIONAL CABLE SURFACE AREA
- COMPLIES WITH NEC
- MEETS TIA568-C & 569-C
- WIDE BASE DESIGN FOR OPTIMUM SUPPORT
- SMOOTH BEVELED EDGES, PROVIDING STANDARD COMPLIANT BEND RADIUS'
- RoHS compliant
- USED FOR COMMUNICATON: CATEGORY, NON-CATEGORY, OPTICAL FIBER, & COAX CABLES
- MAY ALSO SUPPORT INNERDUCT, TUBING, & CONDUIT
- COMMON CABLE TYPES (NOMINAL CAPACITY): Cat.5e  $\phi$ .19 (119), Cat.6  $\phi$ .23 (81), Cat 6A  $\phi$ .30 (48)
- MAY CONTAIN BRANCH CIRCUITS UP TO 600V: ARMORED, METAL-CLAD, NON-METALLIC SHEATHED, POWER & CONTROL, AND MODULAR METALLIC & NON-METALLIC CABLE SYSTEMS (pre-fabricated wire harnesses)

**Material: Steel**

**Finish: Pre-Galvanized**

**Load Test: 65 lbs**

**FILL Area: 4.86 in<sup>2</sup>/3,137 mm<sup>2</sup>**

**Weight: 13.5 lbs/50 pcs per box**

**Hook Opening: 2"**

**Height: 4.79"**

**Width: 1.5"**

**Hole:  $\phi$ .26"**

"Copyright LNA, Inc. Drawings are proprietary and may not be copied or otherwise duplicated or used without express written permission."

CABCS1432



31TS

Legrand  
8319 State Rt. 4  
Mascoutah, IL 62258 USA  
800-658-4641  
618-566-3250  
Fax 618-566-4978  
www.legrand.us/cablofil