

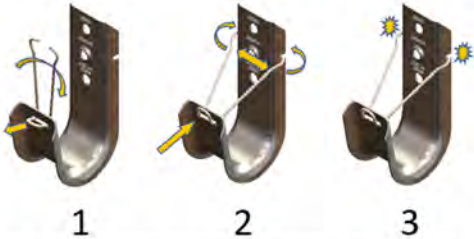


CJ32HACSSBC

2" J-Hook with Angle Clip and SSBC - Swivels 360 degrees
Jaw Opening 1/8" to 1/2"



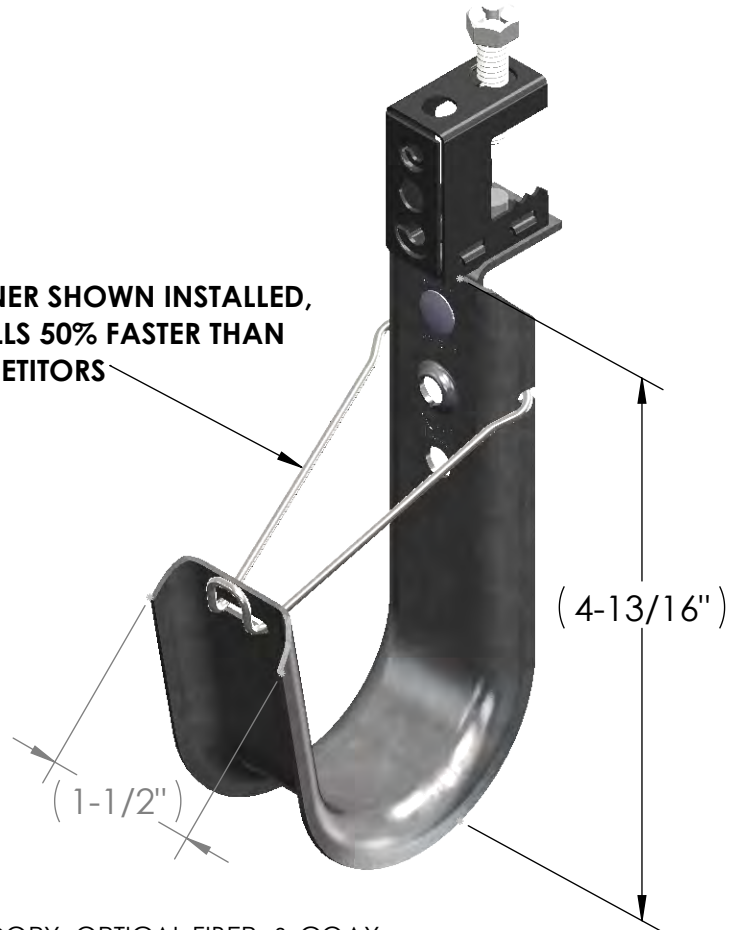
RETAINER CAN ALSO BE POSITIONED AS SHOWN DURING CABLE INSTALLATION



RETAINER INSTALLATION...
AS EASY AS 1-2-3

- CABLE RETAINER INCLUDED
- ADDITIONAL CABLE SURFACE AREA
- COMPLIES WITH NEC
- MEETS TIA568-C & 569-C
- WIDE BASE DESIGN FOR OPTIMUM SUPPORT
- SMOOTH BEVELED EDGES, PROVIDING STANDARD COMPLIANT BEND RADIUS'
- RoHS compliant
- USED FOR COMMUNICATON: CATEGORY, NON-CATEGORY, OPTICAL FIBER, & COAX CABLES
- MAY ALSO SUPPORT INNERDUCT, TUBING, & CONDUIT
- COMMON CABLE TYPES (NOMINAL CAPACITY): Cat.5e ϕ .19 (119), Cat.6 ϕ .23 (81), Cat 6A ϕ .30 (48)
- MAY CONTAIN BRANCH CIRCUITS UP TO 600V: ARMORED, METAL-CLAD, NON-METALLIC SHEATHED, POWER & CONTROL, AND MODULAR METALLIC & NON-METALLIC CABLE SYSTEMS (pre-fabricated wire harnesses)

RETAINER SHOWN INSTALLED,
INSTALLS 50% FASTER THAN
COMPETITORS



Material: Steel
Finish: Pre-Galvanized
Load Test: 65 lbs
FILL Area: 4.86 in²/3,137 mm²
Weight: 15.0 lbs/50 pcs per box

Hook Opening: 2"
Height: 4.79"
Width: 1.5"
Hole: ϕ .26"

"Copyright LNA, Inc. Drawings are proprietary and may not be copied or otherwise duplicated or used without express written permission."

CABCS1433



31TS

Legrand
8319 State Rt. 4
Mascoutah, IL 62258 USA
800-658-4641
618-566-3250
Fax 618-566-4978
www.legrand.us/cablofil