



## Brevia™ Q3™ Advantage™

Toilet Seat  
K-4774

### Features

- Solid polypropylene plastic.
- Elongated closed-front.
- Contoured seat for user comfort.
- Quick-Release™ hinge caps snap open and seat pulls forward for removal.
- Quick-Attach™ stainless steel fastener allows for top-mount screwdriver only install.



For complete listing of available colors, go to [kohler.com](http://kohler.com).

### Codes/Standards

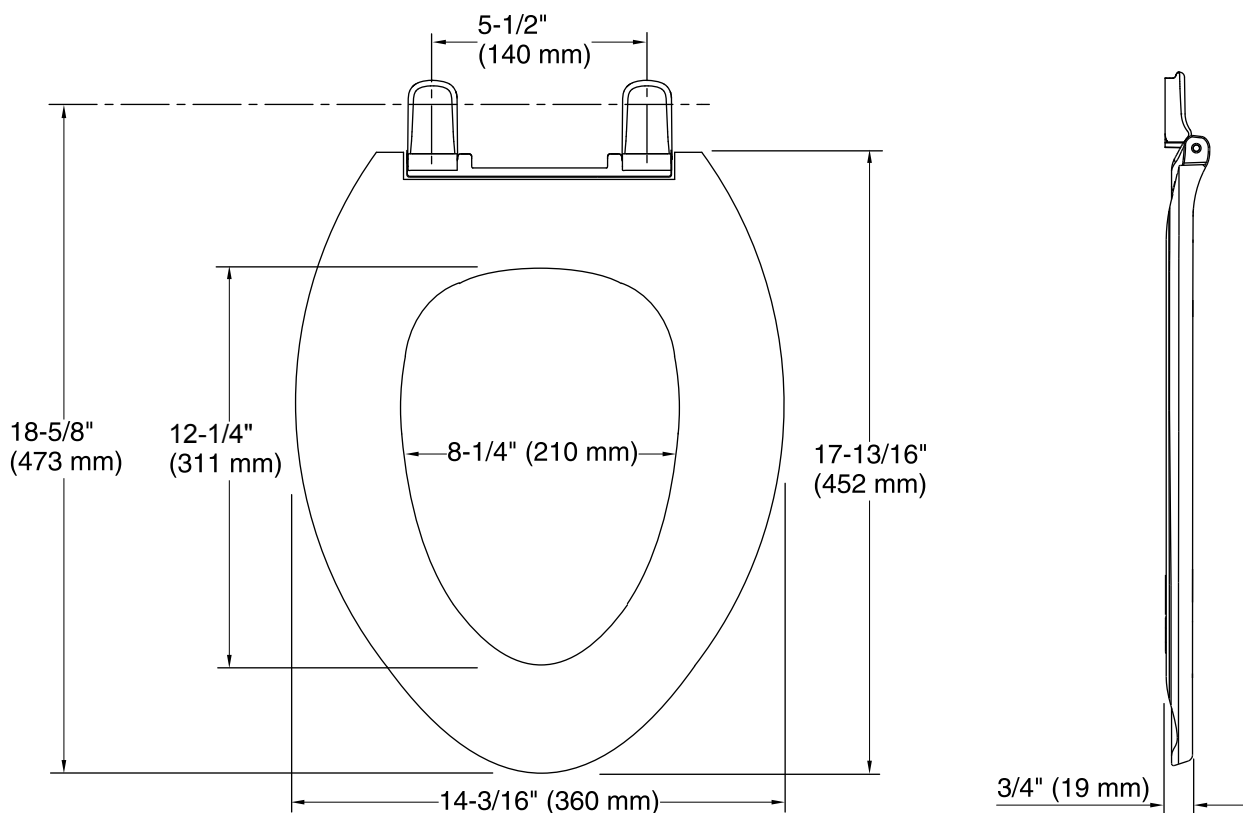
IAPMO/ANSI Z124.5

### KOHLER® One-Year Limited Warranty

See website for detailed warranty information.

### Product Specification

Toilet seat shall be made of solid polypropylene plastic. Toilet seat shall feature Quick-Release™ functionality. Toilet seat shall feature Quick-Attach™ hardware. Toilet seat shall have contoured seat. Toilet seat shall with an elongated closed-front installation. Toilet seat shall be KOHLER Model K-4774.



#### Technical Information

All measurements are nominal.

Seat shape type:	Elongated
Seat front type:	Closed front
Seat hinge type:	Quick-Attach®, Quick-Release™
Seat hole centers:	5-1/2" (140 mm)

#### Installation Notes

Install this product according to the installation guide.