



TECHNICAL GUIDE

**SINGLE PACKAGE
AIR CONDITIONER/ELECTRIC HEAT
14 SEER – R-410A
2 THRU 5 NOMINAL TONS
MODELS: PCE4*24 THRU 60**



Due to continuous product improvement, specifications are subject to change without notice.

Visit us on the web at
www.upgnet.com and www.york.com
Additional rating information can be found at:
www.ahridirectory.org

WARRANTY SUMMARY*

Extended 10-Years limited parts and compressor warranty
* Extended warranty requires online registration within 90 days of purchase for replacement or closing for new home purchase. See limited warranty certificate in User's Information Manual for details.

DESCRIPTION

These packaged cooling/heating air conditioners are designed for outdoor installation. Only utility and duct connections are required at the point of installation.

FEATURES

- **Operating Efficiency** - All PCE4 air conditioner models are rated at 14.0 SEER and 11.0 EER for cooling operation.
- **On Site Flexibility** - All model sizes use a compact design cabinet in one of two footprints. This provides installer flexibility for placing the proper capacity unit on curbs or pads with the smallest footprint after the internal load has been determined. Field convertible duct connections from side shot to down shot allows the installer to have greater flexibility with less inventory.
- **Lower Installation Cost** - Installation time and costs are reduced by easy power and control wiring connections. The small base dimension means less space is required on the ground or roof. All units are completely wired, charged with R-410A and tested prior to shipment. Test stations using a state-of-the-art computerized process system are used to insure product quality. Refrigerant charge and component part numbers are verified via computers during assembly. Vital run test statistics such as system pressure, motor currents, air velocity and temperature, unit vibration, and gas system safeties are monitored and recorded by the system to insure unit performance. Equal size side supply and return duct connections allow easy connection of ducts to match low crawl spaces without transition pieces.
- **Utility Connections Made Easy** - Electric utility access provided through the bottom or the side of the unit. Utility connections can be made quickly and with a minimum amount of field labor. A field supplied and field installed electrical disconnect switch must be installed.
- **Convertible Airflow Design** - The bottom duct openings are covered when they leave the factory, ready to be used for a side supply/side return application. If a bottom supply/bottom return application is desired, simply remove the two panels from the bottom of the unit and place them in the side supply/side return duct openings. No panel cutting is required and no accessory panel is necessary. Convertible airflow design allows maximum field flexibility and minimum inventory.
- **Condensate Pan** - A corrosion-resistant, long-lasting, water-tight pan is positioned below the evaporator coil to collect and drain all condensate, preventing build-up of stagnant condensate. The condensate pan conforms to ASHRAE 62-89 standards (Ventilation for Acceptable Indoor Air Quality).
- **Condensate Drain** - The 3/4 inch NPT female connection is rigidly mounted to assure proper fit and leak tight seal.
- **Durable Finish** - The cabinet is made of G90 galvanized steel with a powder paint coating for appearance and protection. The pre-treated galvanized steel provides a better paint-to-steel bond, which resists corrosion and rust creep. Powder paint finish ensures less fading when exposed to sunlight, and provides superior corrosion resistance (1000 hour salt spray tested).

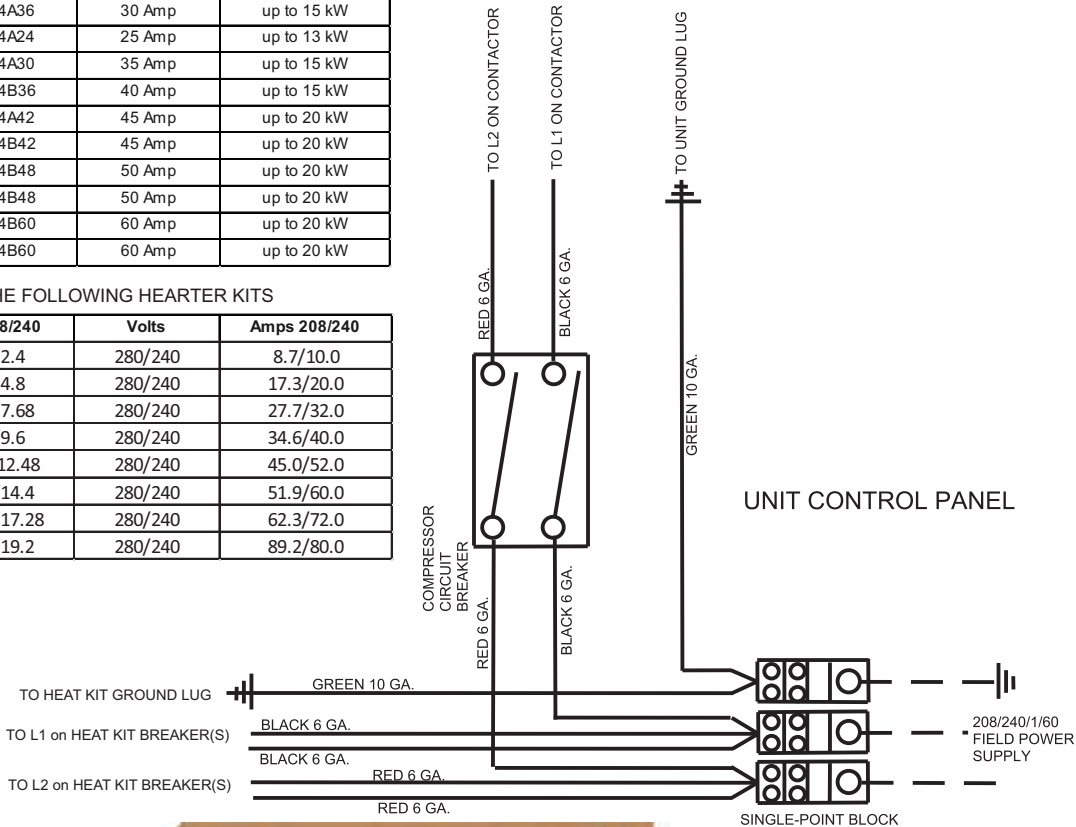
Continued on next page.

SINGLE-POINT WIRING KITS

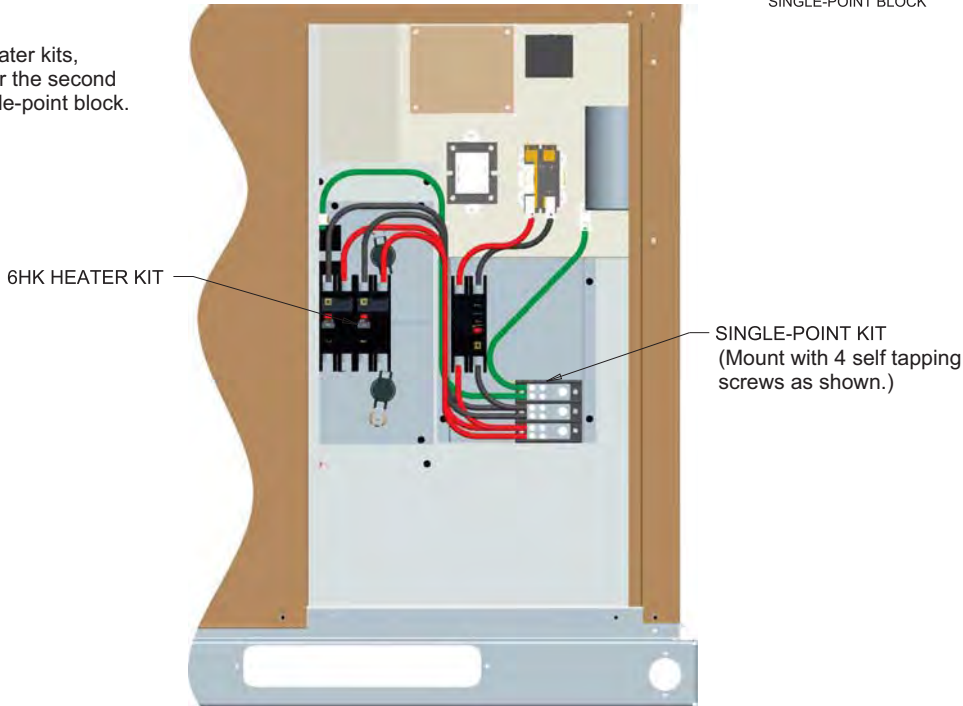
Single Point Kit P/N	Unit Model Number	Breaker Size	Heat Kit
S1-2SPWK008	PCE4A24	20 Amp	up to 13 kW
S1-2SPWK006	PCE4A30	25 Amp	up to 15 kW
S1-2SPWK001	PCE4A36	30 Amp	up to 15 kW
S1-2SPWK006	PHE4A24	25 Amp	up to 13 kW
S1-2SPWK002	PHE4A30	35 Amp	up to 15 kW
S1-2SPWK007	PHE4B36	40 Amp	up to 15 kW
S1-2SPWK003	PCE4A42	45 Amp	up to 20 kW
S1-2SPWK003	PHE4B42	45 Amp	up to 20 kW
S1-2SPWK004	PCE4B48	50 Amp	up to 20 kW
S1-2SPWK004	PHE4B48	50 Amp	up to 20 kW
S1-2SPWK005	PCE4B60	60 Amp	up to 20 kW
S1-2SPWK005	PHE4B60	60 Amp	up to 20 kW

FOR USE WITH THE FOLLOWING HEATER KITS

Heater Kit No.	kW 208/240	Volts	Amps 208/240
6HK16500206	1.8/2.4	280/240	8.7/10.0
6HK16500506	3.6/4.8	280/240	17.3/20.0
6HK16500806	5.76/7.68	280/240	27.7/32.0
6HK16501006	7.2/9.6	280/240	34.6/40.0
6HK16501306	9.36/12.48	280/240	45.0/52.0
6HK16501506	10.8/14.4	280/240	51.9/60.0
6HK16501806	12.96/17.28	280/240	62.3/72.0
6HK16502006	14.4/19.2	280/240	89.2/80.0



NOTE:
For single circuit heater kits, remove the wires for the second circuit from the single-point block.



PACKAGE UNIT CONTROL COMPARTMENT

A0352-003